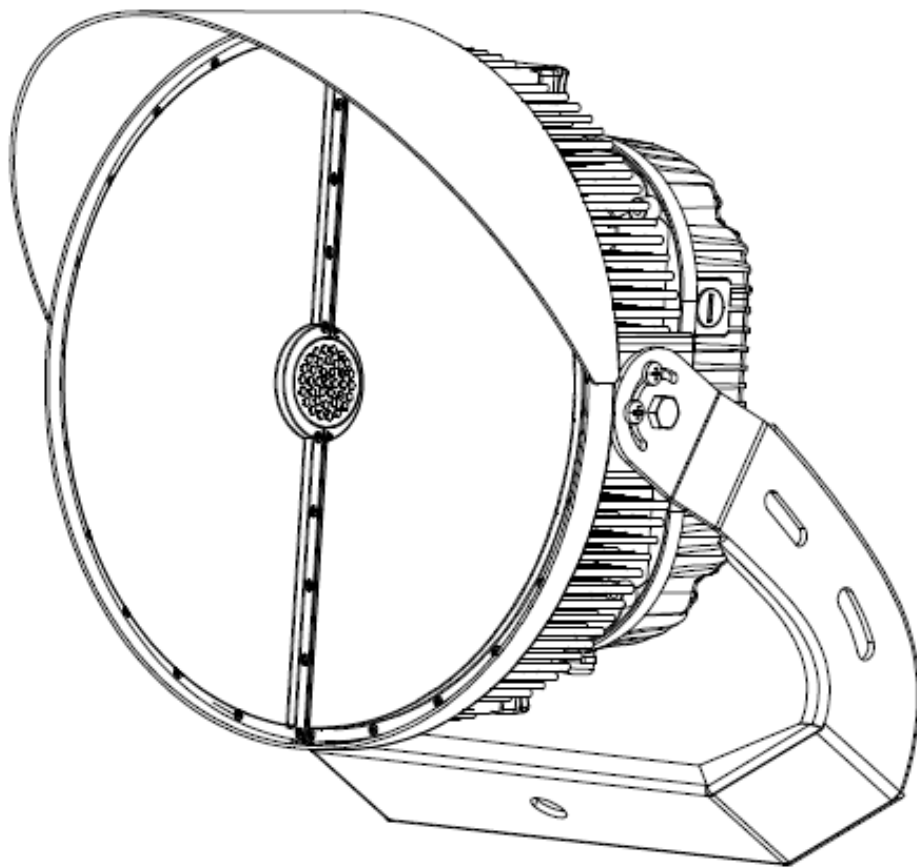


LED Sports & High Mast Flood Lighting



USER MANUAL

GENERAL SAFETY PRECAUTIONS

Read and understand this entire manual before attempting to assemble, operate, or install the LED Luminaire. FAILURE TO FOLLOW THE INSTRUCTION MAY LEAD TO DEATH, SEVERE INJURY, OR PROPERTY DAMAGE.

1. Make certain power is OFF before performing installation or maintenance.
2. Proper grounding is required to ensure personal safety.
3. A qualified electrician should do all works.
4. DO NOT make or alter the luminaire, which will void the warranty.
5. Follow all applicable safety procedures and use Personal Protective Equipment such as hardhats, safety glasses, reflective vests, electrical safety gloves, fall protection equipment and safety toe boots during the installation, operation, and maintenance of the luminaire.
6. Risk of injury or damage. Unit will fall if not installed properly. Follow installation instructions.
7. Make certain the luminaires' weight does not exceed the weight limitation of the pole.

INSTALLATION INSTRUCTIONS

1. Open the package box

When the luminaire is ordered with shroud, the shroud will be installed on the back of the heat sink when you open the packing box, need to dismount the shroud and re-install it (see FIG.1). If the fixture is used as high bay, there is no shroud, no need to dismount or re-install the shroud. The high bay fixture is with U shape bracket. (see FIG.2)

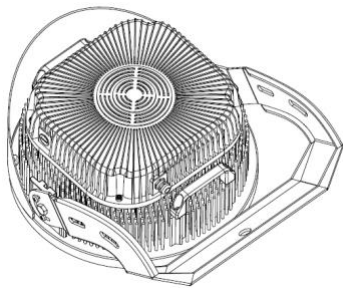


FIG.1

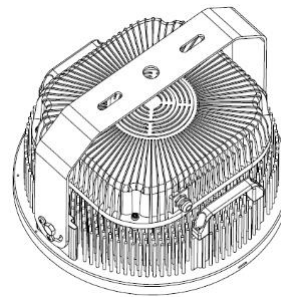


FIG.2

2. Preparation

- 1) Dismount 6 pcs screws which are used to fix shroud onto the fixture (anticlockwise direction), take the shroud down. (See FIG.3 to FIG.5)

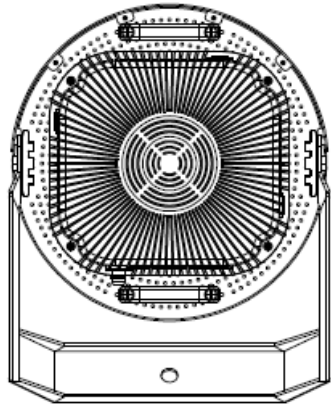


FIG.3

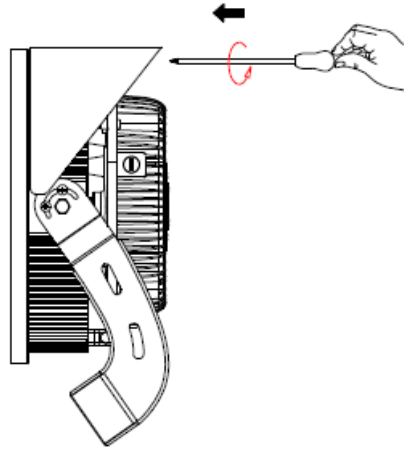


FIG.4

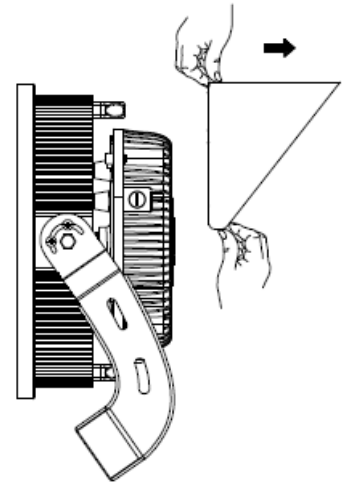


FIG.5

2) Turn around, slide the shroud onto the fixture from the back, align screw holes and lock with screws. (See FIG.6 and FIG.7)

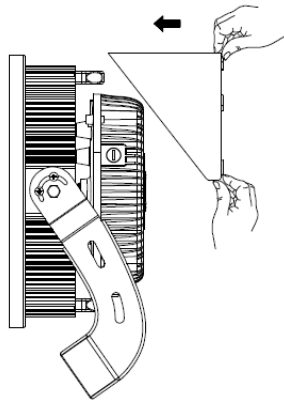


FIG.6

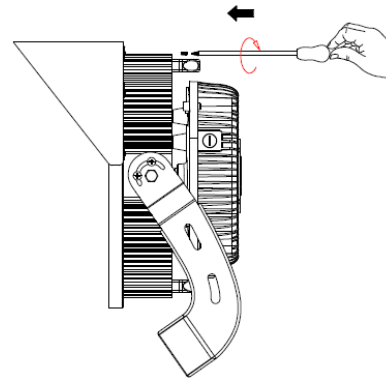


FIG.7

3) For 960W~1440W, unscrew the slot on both sides of the driver box before installation. (See FIG.8 and FIG.9)

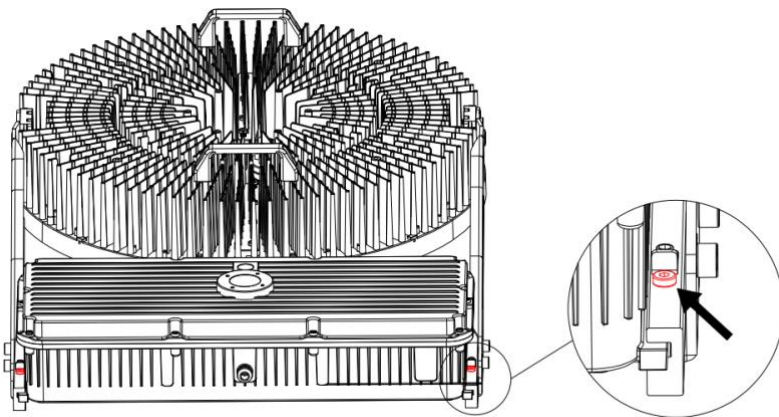


FIG.8

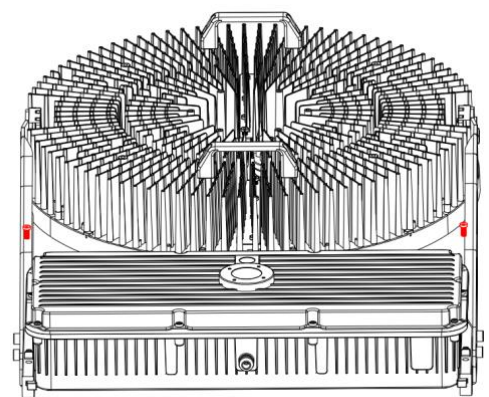


FIG.9

Slide the drive box outwards until the central screw hole of the U shape bracket is exposed for installation, use M20 to mount the light. (See FIG.10 and FIG.11)

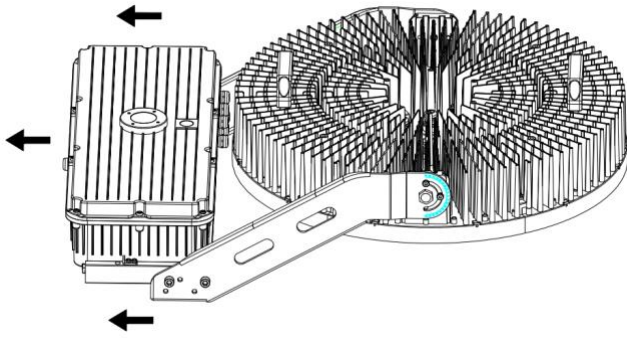


FIG.10

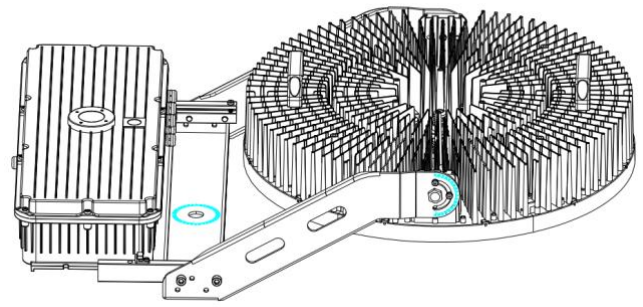


FIG.11

After installation, slide the driver box back, tighten the screws and secure the driver box. (See FIG.12)

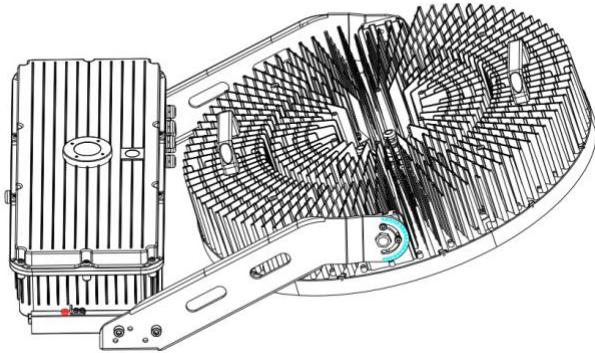


FIG.12

3. Installation

A. High Mast Mounting

- 1) Drill one hole on the plane, the diameter 21 mm (See FIG.14). Put the round plate on the bracket (See FIG.15).

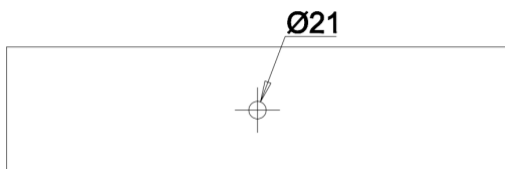


FIG.14

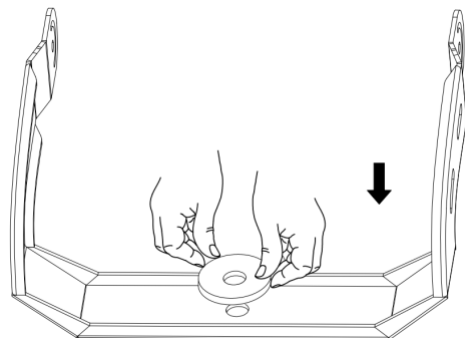


FIG.15

- 2) Put bolts into the round plate, through the drilled holes. Put flat washer and spring washer on the bottom of the bolt, lock with nuts (See FIG.16 to FIG.18). Please use M20 bolts 60~120 mm long (not provided).

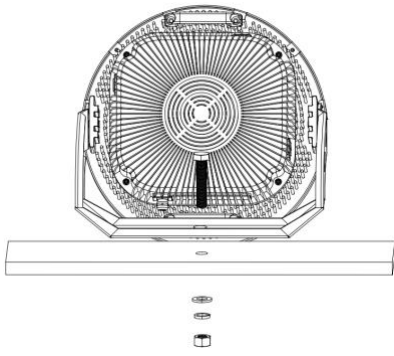


FIG.16

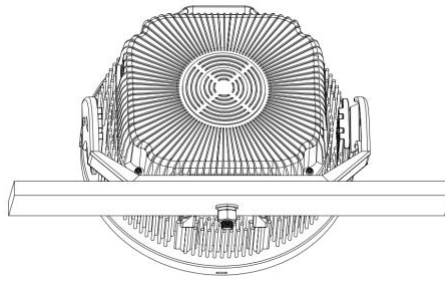


FIG.17

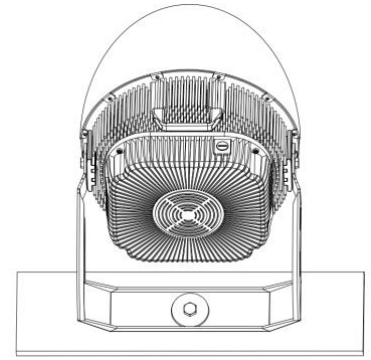


FIG.18

- 3) Adjust bracket angle, loosen the bracket screws with cross screwdriver and internal hexagonal wrench, adjust needed angle and re-tighten the screws. (See FIG.19 to FIG.22)

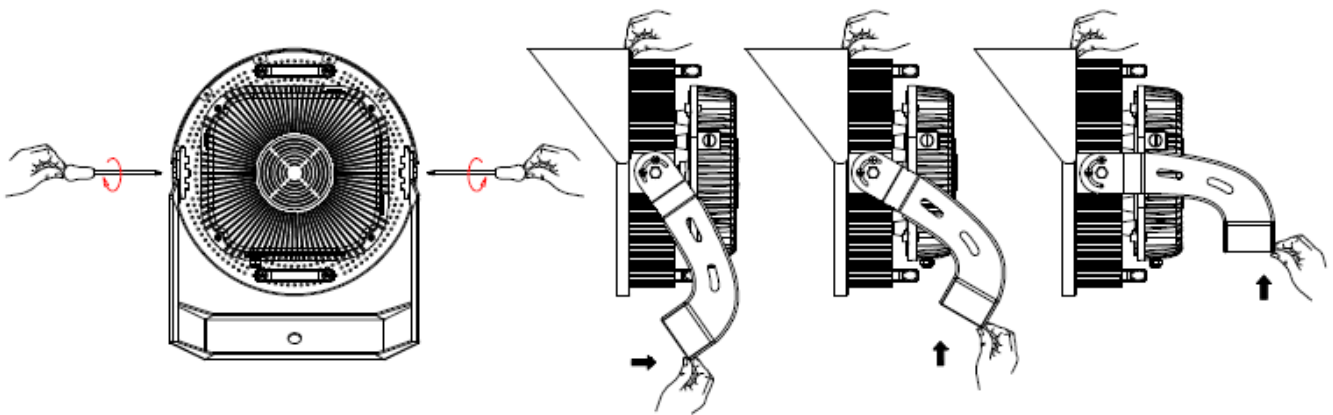


FIG.19

FIG.20

FIG.21

FIG.22

- 4) To tighten the bracket, make certain to use 2 PCS M6 screws in the slot hole on each side of the bracket. (See FIG.23). Additional M6 screws can be found in the packaging or on the fixtures.

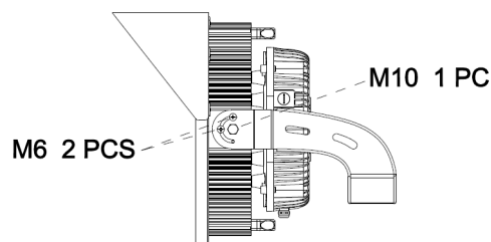
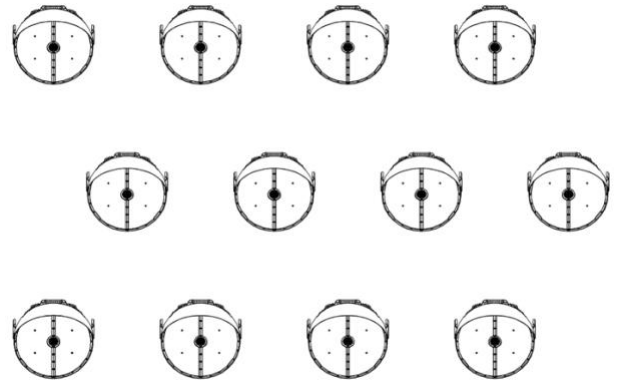
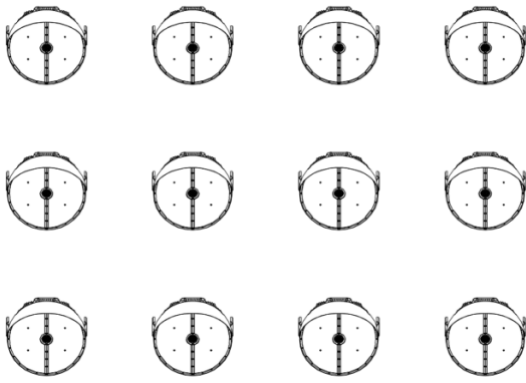


FIG.23

(2 PCS M6 screws and 1pcs M10 screw should be used on each side of the bracket.)

Remark

To improve heat dissipation and reduce failure risk, highly recommended to install fixtures in this way: Firstly, keep the distance between lights as much as possible. Secondly, try to stagger the lights in different lines.



NOT RECOMMENDED



RECOMMENDED

B. High Bay Mounting

- 1) Drill two holes on the ceiling, diameter 12mm, 150mm distance, dismount the U shape bracket with screwdriver and wrench. (See FIG.24 and FIG.25)

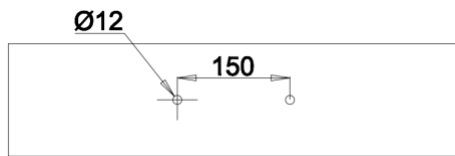


FIG.24

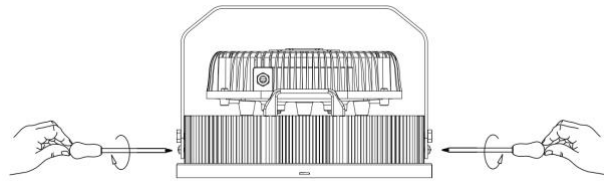


FIG.25

- 2) Align U shape bracket to the drilled holes on the ceiling, use expansion screws, fix the bracket onto the ceiling. (See FIG.26 and FIG.27)

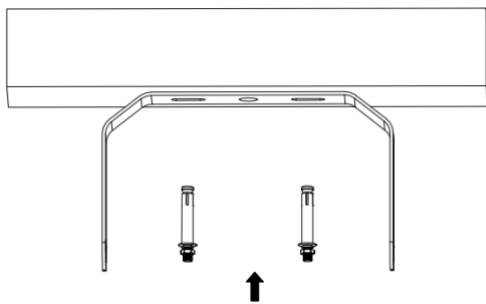


FIG.26

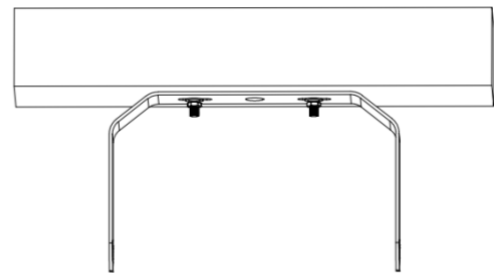


FIG.27

- 3) Install fixture onto the U shape bracket, adjust the angle, tighten screws with screwdriver and wrench. (See FIG.28 to FIG.30)

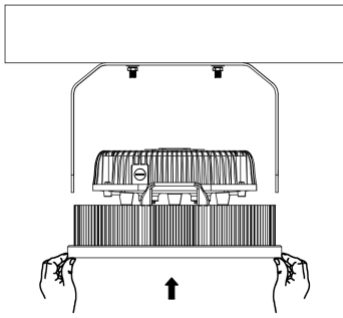


FIG.28

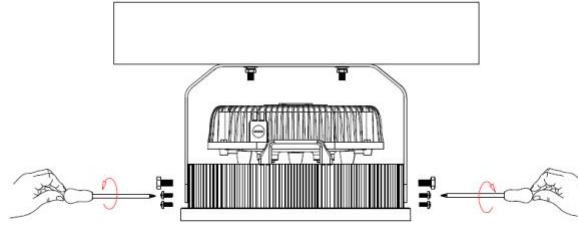


FIG.29

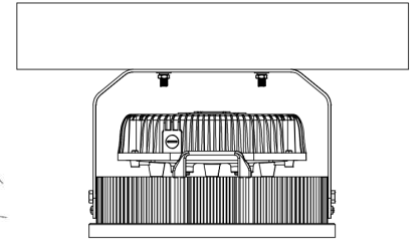


FIG.30

C. Wall Mounting & Ground Mount

- 1) Select U shape bracket and M10*90mm expansion screws, drill two holes on the wall or ground, 150mm distance.(See FIG.31 to FIG 33)

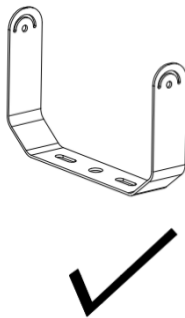


FIG.31

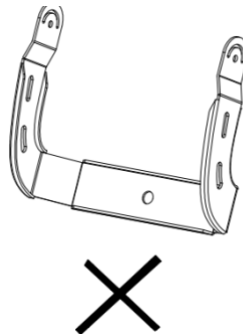
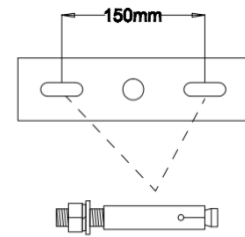


FIG.32



M10X90mm 2 PCS

FIG.33

- 2) Align U shaped bracket to the holes on the wall or ground, use expansion screws to fix the bracket. Install fixture on the U bracket, adjust the angle, tighten screws with screwdriver and wrench (See FIG.34 and FIG.35).

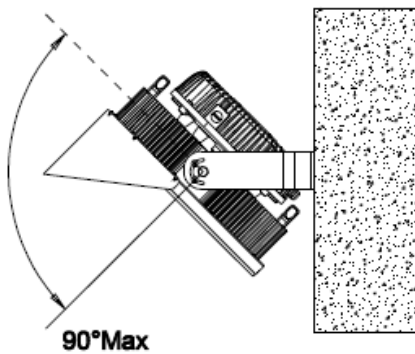


FIG.34

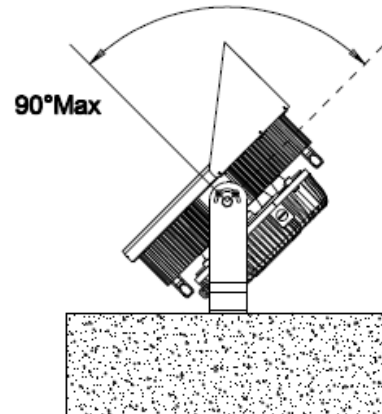


FIG.35

D. Slip Fitter Bracket Mounting

- 1) Align slip fitter bracket with U shape bracket, use 2pcs M8*24mm bolts and nuts to fix them. Use 4pcs M8*24mm bolts to fix slip fitter bracket on the pole. (See FIG.36 to FIG.39)

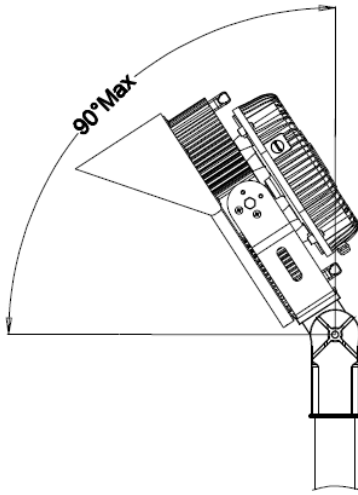


FIG.36

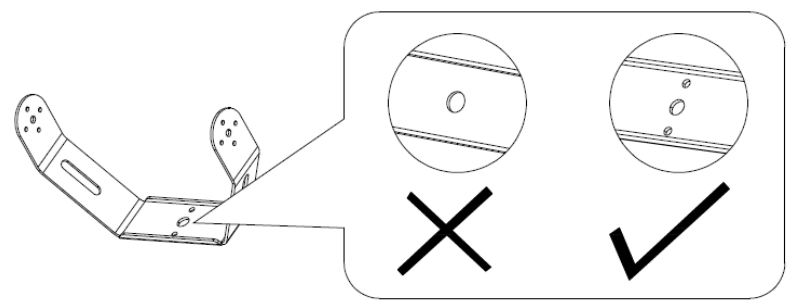


FIG.37

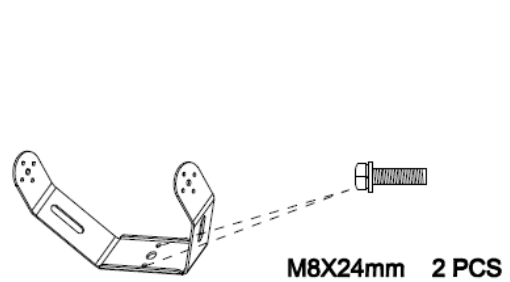


FIG.38

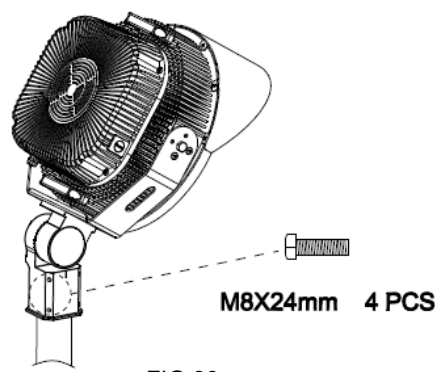


FIG.39

4. Aim the luminaires

To make your work much easier and high efficient, the precision aiming device will assist to precisely align the light to aiming point with a green laser ray of maximum 2000m distance projecting ability. Laser aiming is the most effective and preferred technique for aiming LED sports lighting. This method uses a laser mounted to the luminaire to point the fixture at a predetermined point on the playing surface using (X,Y) coordinates.

- 1) Insert the laser or tube into the aiming mount and tighten the holding screw.
- 2) Insert the aiming mount onto the fixture aiming pin until it is fully seated. Aiming mount must be tight against the fixture because any movement or wiggle in the mount will cause aiming to be inaccurate.

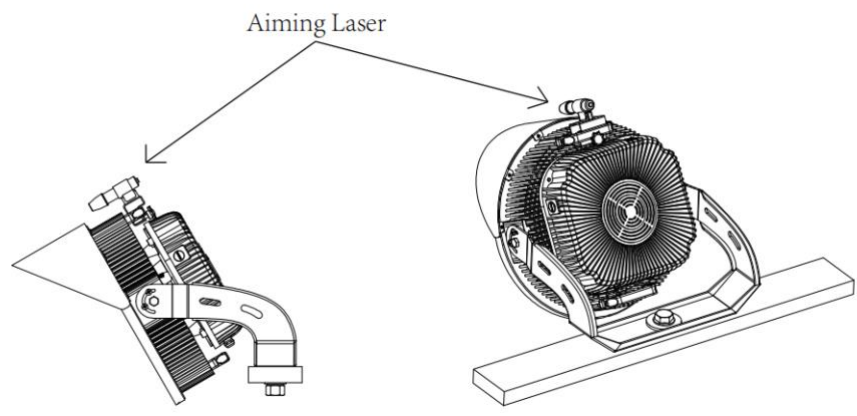


FIG.40

- 3) Slightly loosen the fixture aiming screws just enough to allow the fixture to rotate and tilt.
- 4) Turn on the laser and aim the fixture by targeting the green laser dot at the aiming point. If aiming tube is used, look through tube and adjust fixture until aiming point is centered in view through tube. Refer to photometrics or project installation drawings for aiming point coordinates.

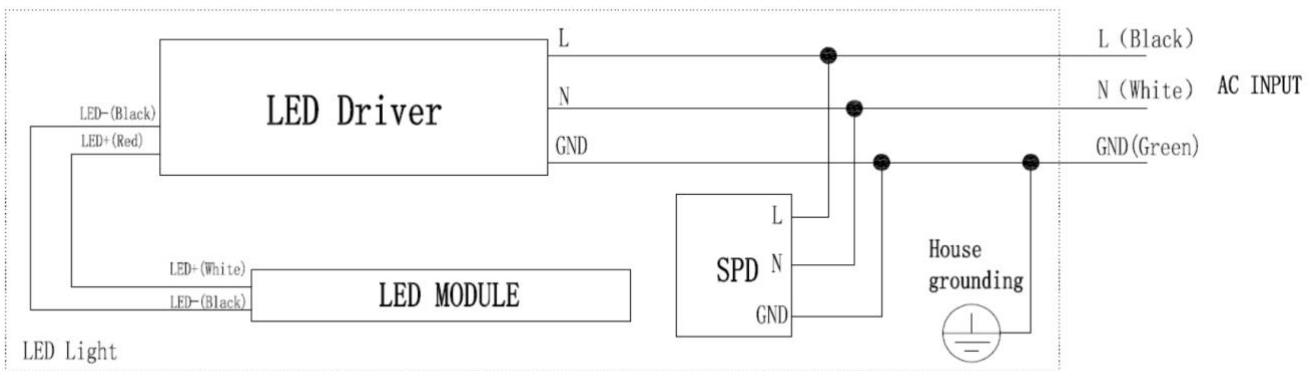
Note: After targeting the aiming point with the laser, turn off the laser to conserve battery life.

- 5) After aiming is complete, tighten all bolts and screws including hex and set screws on side of fixture and mounting hardware.
- 6) Briefly turn the laser back on or re-check view through tube to verify that the luminaire aim did not shift during tightening.
- 7) Remove the aiming mount from the fixture and proceed to the next luminaire.

5. Wiring Diagram

Make sure that the input voltage complies with the voltage marked on product's label.

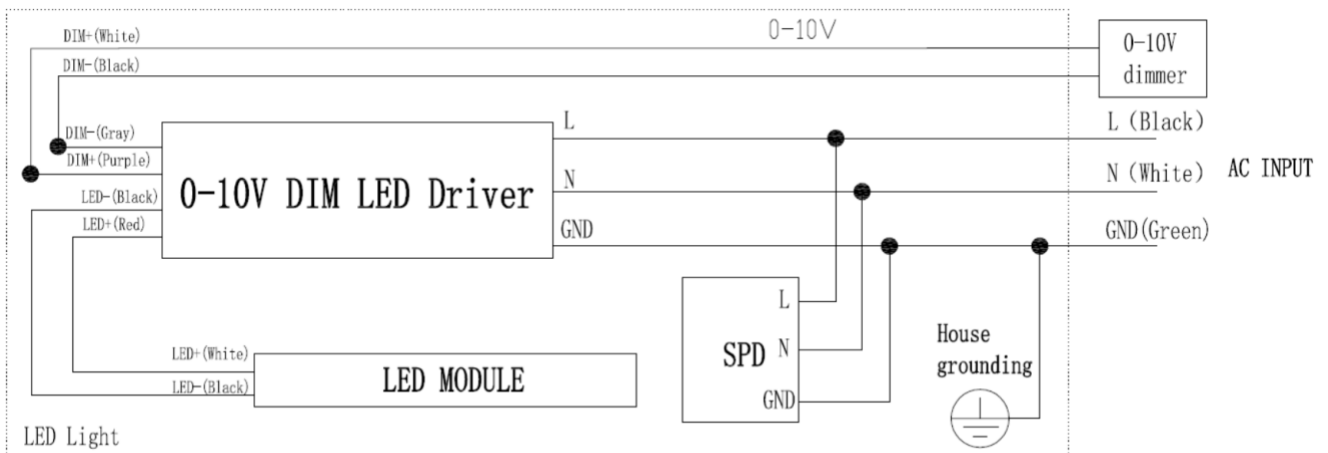
1) Non-dimmable version



NOTE: ● This refers to the terminal block.

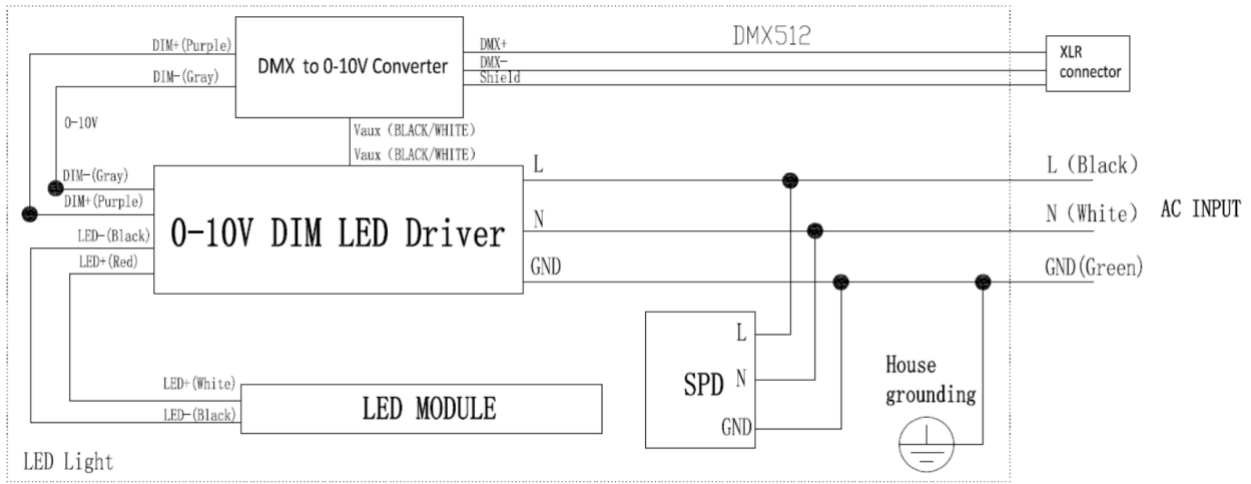
FIG.41

2) Dimmable version



NOTE: ● This refers to the terminal block.

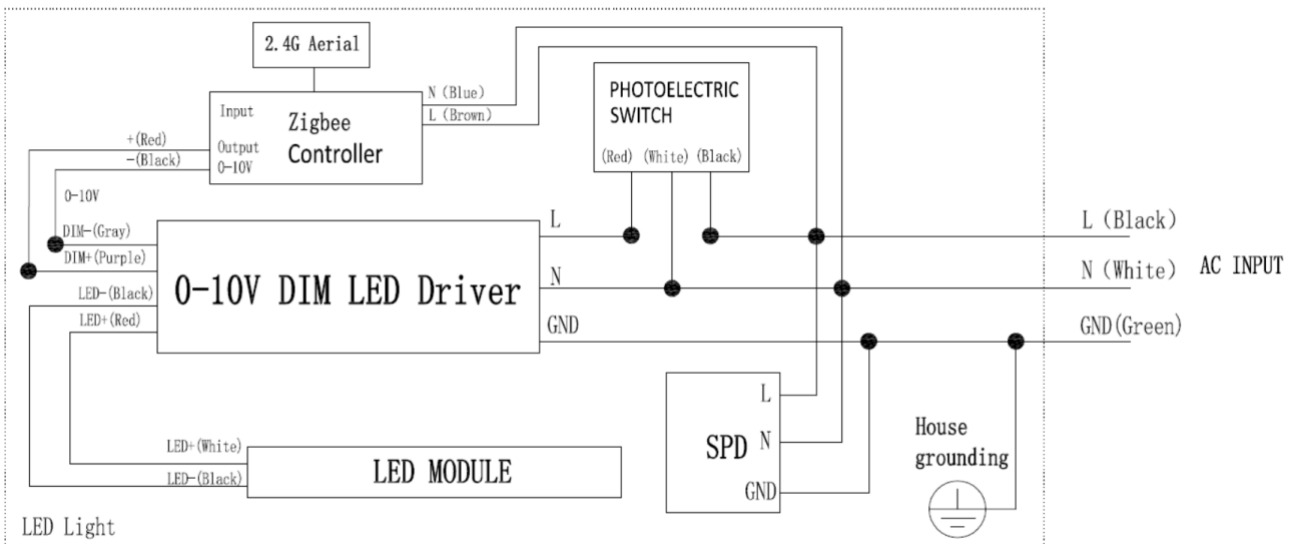
FIG.42



NOTE: ● This refers to the terminal block.

FIG.43

3) Dimmable with photocell sensor and Zigbee version



NOTE: ● This refers to the terminal block.

FIG.44