

# INSTALLATION INSTRUCTIONS

**READ AND FOLLOW ALL SAFETY INSTRUCTIONS, SAVE THIS INSTRUCTIONS AND DELIVER TO OWNER AFTER INSTALLATION.**

## WARNING

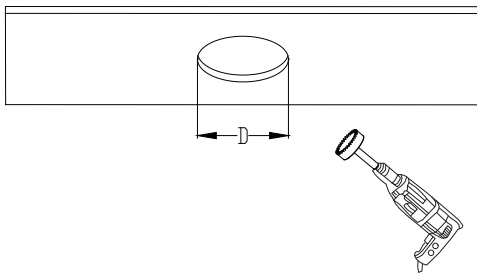
1. Risk of electric shock - never connect to, disconnect from, or service while equipment is energized.
2. Failure to follow these instruction and warnings may result in death, serious injury or significant property damage.

For your protection, read and follow these warnings and instructions carefully before installing or maintaining this equipment. These instructions do not attempt to cover all installation and maintenance situations.

- All service shall be performed by qualified service electrician. This product must be installed and maintained in accordance with the applicable installation codes by a person familiar with the construction & operation of the product and the hazards involved.
- This product must be installed in accordance with the applicable installation codes and ordinance.
- Disconnect AC power before wiring or servicing
- Consult your local building code for approved wiring and installation.
- Do not let power supply cord touch hot surface.
- Do not mount near gas or electric heater.
- Connect to an AC voltage as recommended on the product label of this equipment.
- The battery is not fully charged, it will be fully charged after 24 hours of connect the AC power.
- Please check the appendix for battery stock and recharge guideline

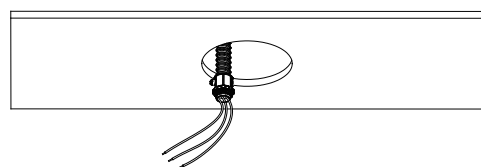
## INSTALLATION STEPS

### Step 1



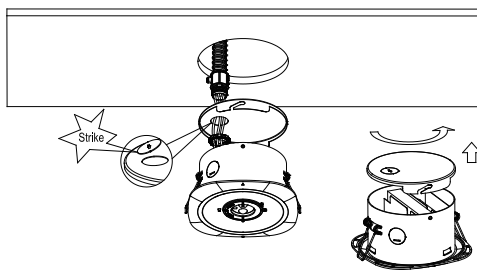
Use a hole-making tool to make a round hole of 115mm(4.53) in the ceiling.

### Step 2



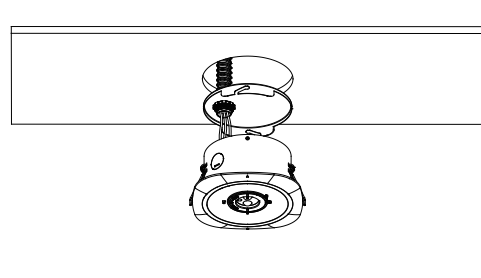
Pass the corrugated pipe through the installation hole

### Step 3

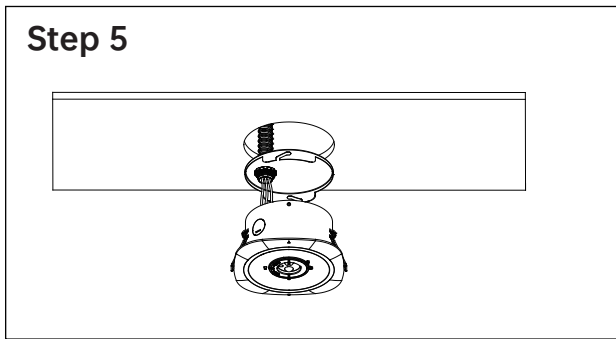


Open the junction box of the lamp, knock off the holes on the lamp cover plate, and thread the AC wire into the junction box

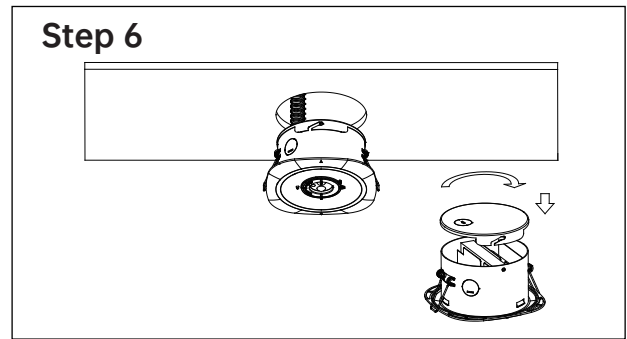
### Step 4



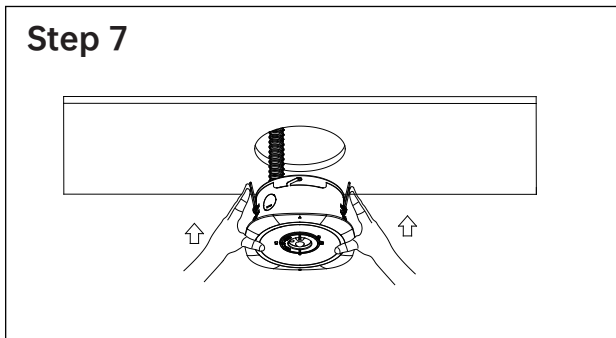
Tighten the corrugated pipe nut and connect the wires properly



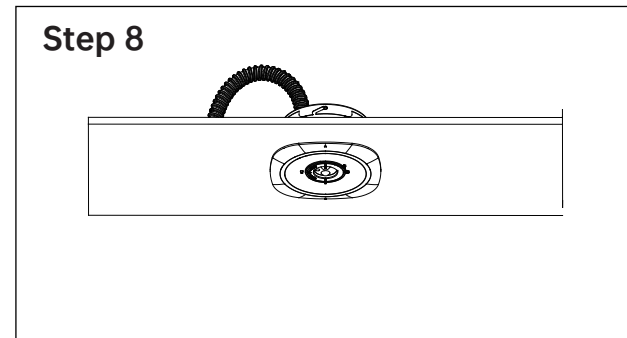
Open the junction box of the lamp, knock off the holes on the lamp cover plate, and thread the AC wire into the junction box



Screw on the upper cover of the junction box



Insert the lamp into the ceiling



installation complete

## TEST MODES

### Self Test Mode

The integrated Self-Test/Diagnostic circuitry will automatically conducts monthly 30 seconds and annual 90 minutes test to verify proper emergency capability per Life Safety Code requirements. NFPA 101 Life Safety Code Outlines the following schedule:

- Check battery, lamp ,charge board and transfer fault all the time.
- **Monthly**- During AC mode, the fixture conducts a 30 seconds self-discharge test every 30 days.
- **Annually**- During AC mode, the fixture conducts a 90 minutes self-discharge test every 365 days.

### Manual Test Mode

1. The manual test function needs to connect the battery and plug in the AC power for use.
2. Manual test version only test by the test button, Self-Test function is unavailable, All other versions are equipped with Self-Test/Diagnostic function as standard, which can also tested by the test button.

	Press once within 2 seconds	Run 30 seconds duration test
	Press thrice within 2 seconds	Run 90 minutes duration test
	Wait >2S then press again	Light source turned off. LED indicator slow flash with green color and back to charging mode.
	Under emergency mode, long press the test button for >3s	Turn off the light

### Indicator

•	The indicator light is off	Discharging/Emergency mode
	Slow flash with green color	Charging battery
•	With green color all the time	The battery is fully charged
	Fast Flash with green color	Failure

**Note:** When the fault is cleared, the led indicator will turn green and the downlight is back to normal.