

DWP2-4G

Project Name:	
Type:	



APPLICATION

Cast in a modern and low-profile design, DWP2-4G is easily customized to fit every building's design aesthetic and a mix of architectural styling and energy savings. It's ideal for illuminating commercial office buildings, warehouses, campuses, shopping malls and other office complexes.

FEATURES:

- Sealed die-casting profile for outdoor applications.
- Casting thermally conducts LED heat to optimize performance and long life.
- Suitable for applications requiring 3G testing prescribed by ANSI C136.31.
- Integrated photocell included as standard
- Zero uplight distributions.
- High performance UV stabilized optical grade polymer refractor lenses to achieve desired distribution optimized to get maximum spacing, target lumens and superior lighting uniformity.
- Dark bronze finish is standard.

MOUNTING:

- Surface mounting only.

LED:

- Scalable Lumen Packages from 3,600 to 9,100 Lumens.
- Zero uplight distributions using individual acrylic.
- Color temperature: 3000/4000/5000 (K)
- Color rendering index: >70
- Life span: 50,000 hrs
- Lumen Maintenance L70 greater than 100,000 hours IESNA TM-21.

ELECTRICAL:

- 1-10V Dimming.
- Input voltage: Universal 120-277
- Operating temperature: -40°C to 40°C (-40°F to 104°F)
- Power factor >90%, THD <20%.
- Optional: Photocell, Emergency Battery
- Power Factor: >0.9
- Integrated photocell included as standard

LISTING:

- DLC listed. ¹
- UL cUL wet location listed.
- IES LM-79, LM-80 and TM-21 calculation.
- 5 years limited warranty.
- ARRA compliant. (optional)
- TAA compliant. (optional) ²

ORDERING INFORMATION

EXAMPLE: DWP2-4G-3SL-3T-UNV-BZ

MODEL	LED		COLOR TEMP.		VOLTAGE		FINISH	
DWP2-4G	3SL 3SH	45/36/27/18W 95/76/57/38W	3T	3000/4000/5000K Selectable	UNV	120-277V	BZ *BK *WH *GR **CC	Dark Bronze RAL#8019 (Std.) Black RAL#9011 White RAL#9016 Gray RAL#7045 Custom Color <small>* Non-standard finish with extra charge. ** Additional charge & set up fee.</small>

OPTIONS	
PC3	External Button Photocell 120-277V
EM5	5W Integrated EM for 3SL model
EM8	8W Integrated EM for 3SH model ³
ANT-6-4T	Plug and Play 0-10V Dimming occupancy sensor
ARRA	Assembled in USA for Buy American act
TAA	TAA compliant
ZINC	Zinc Finish
CASAMBI	Contact factory for CASAMBI READY options

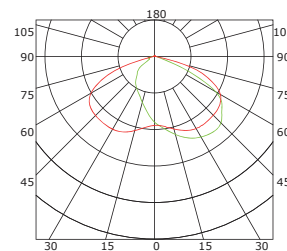
NOTES:

1. DesignLights Consortium (DLC) qualified product. Not all versions of this product may be DLC qualified. Please check the DLC Qualified Products List at www.designlights.org/QPL to confirm which versions are qualified.
2. It is not possible to select it with the ARRA option.
3. Not available on DWP2-4G-3SL.

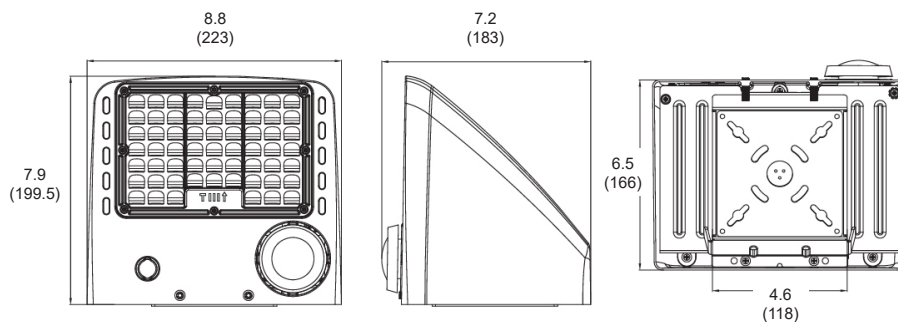
DWP2-4G

CONFIGURATIONS

Series	LED	SETTING	AC INPUT	Lumen Output (3000/4000/5000K)	Lumen Efficiency (3000/4000/5000K)
DWP2-4G	3SL	100%	45W	6500lm / 7000lm / 6750lm	144 / 156 / 150 lm/W
		80%	36W	5300lm / 5700lm / 5500lm	147 / 158 / 153 lm/W
		60%	27W	4050lm / 4400lm / 4200lm	150 / 163 / 156 lm/W
		40%	18W	2750lm / 3000lm / 2900lm	153 / 167 / 161 lm/W
	3SH	100%	95W	13800lm / 15000lm / 14300lm	145 / 158 / 151 lm/W
		80%	76W	11300lm / 12300lm / 11700lm	149 / 162 / 154 lm/W
		60%	57W	8700lm / 9400lm / 8900lm	153 / 165 / 156 lm/W
		40%	38W	5900lm / 6400lm / 6000lm	155 / 168 / 158 lm/W

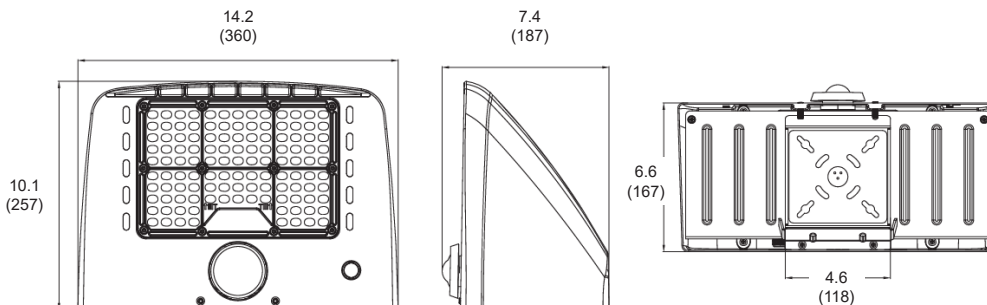


Photocell



DWP2-4G (3SL)

Weight
27W: 5.62lb (2.5 kg)
45W: 5.92lb (2.6 kg)



DWP2-4G (3SH)

Weight
70W: 9.21lb (4.1 kg)

* All dimensions are in inches (millimeters).

DWP2-4G



DWP2-4G-3SL



DWP2-4G-3SH