

DWP2-3G

Project Name:	
Type:	



CASAMBI

APPLICATION

Uniform light distribution and excellent LED lumen maintenance rate, high energy efficiency, low cost, while taking into account the stylish design, ensure that the fixture has a long service life.

FEATURES:

- Two-piece die-cast aluminum housing secures the thermally conductive LED panel and electrical chamber.
- Casting thermally conducts LED heat to optimize performance and long life.
- Suitable for applications requiring 3G testing prescribed by ANSI C136.31.
- Integrated photocell included as standard
- Anti-UV polycarbonate translucent lens is designed to shape the light distribution and uniformity.
- Zero uplight distributions.
- Dark bronze finish is standard.

MOUNTING:

- Wall mounting only.
- DWP2-3G can be mounted directly over a standard 4" and 5" electrical junction box.
- Three 1/2 inch conduit holes on three sides allow for surface conduit wiring.

LED:

- Scalable Lumen Packages from 3,800 to 20,000 Lumens can replace up to 400W MH.
- Color temperature: 3000/4000/5000 (K) ³
- Color rendering index: >70
- Life span: 50,000 hrs
- Lumen Maintenance L70 greater than 100,000 hours IESNA TM-21.

ELECTRICAL:

- 1-10V Dimming.
- Input voltage: Universal 120-277
- Operating temperature: -40°C to 40°C (-40°F to 104°F)
- Power factor >90%, THD <20%.
- Optional: Photocell, Emergency Battery.
- Power Factor: >0.9
- Integrated photocell included as standard

LISTING:

- UL cUL wet location listed.
- IES LM-79, LM-80 and TM-21 calculation.
- 5 years limited warranty.
- ARRA compliant. (optional)

ORDERING INFORMATION

EXAMPLE: DWP2-3G-SLA-3T-UNV-BZ

MODEL	LED & COLOR TEMP.		VOLTAGE		FINISH	
DWP2-3G	MLA-3T	38/30/23/16W 30/40/50K (Wattage and CCT Selectable)	UNV	120-277V	BZ	Dark Bronze RAL#8019 (Std.)
	SLA-3T	65/50/34/23W 30/40/50K (Wattage and CCT Selectable)			*BK	Black RAL#9011
	HLA-3T	100/84/61/42W 30/40/50K (Wattage and CCT Selectable)			*WH	White RAL#9016
					*GR	Gray RAL#7045
					**CC	Custom Color
						* Non-standard finish with extra charge. ** Additional charge & set up fee.

OPTIONS	
PC3	External Button Photocell 120-277V
EMG8W	8W EM Battery Backup (CEC Compliant EM) ¹
MS	0-10V Dimming Sensor (External Mount)
ARRA	Assembled in USA for Buy American act
CASAMBI	Contact factory for CASAMBI READY options

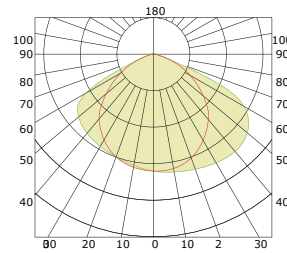
NOTES:

1. Only available with DWP2-3G-MLA and SLA
3. 3000K only available with DWP2-3G-SLA-3T, HLA-3T

DWP2-3G

CONFIGURATIONS

Series	LED	Lumen Output (4000K)	Lumen Efficiency
DWP2-3G	16LED	2700 lm	151 lm/W
	23LED	3600 lm	151 lm/W
	26LED	3900 lm	151 lm/W
	30LED	4800 lm	151 lm/W
	34LED	5134 lm	151 lm/W
	38LED	5600 lm	151 lm/W
	42LED	6600 lm	157 lm/W
	50LED	7550 lm	151 lm/W
	61LED	9400 lm	154 lm/W
	65LED	9800 lm	151 lm/W
	84LED	12600 lm	150 lm/W
	100LED	15000 lm	150 lm/W
	135LED	20000 lm	148 lm/W



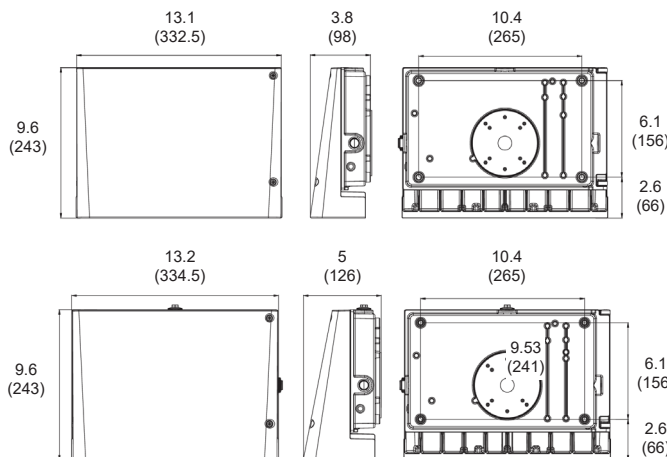
Front



Photocell



MS (External Microwave sensor)



DWP2-3G-MLA-3T
DWP2-3G-SLA-3T
DWP2-3G-100LED-50K
DWP2-3G-135LED-40K
DWP2-3G-135LED-50K

DWP2-3G-HLA-3T

* All dimensions are in inches (millimeters).