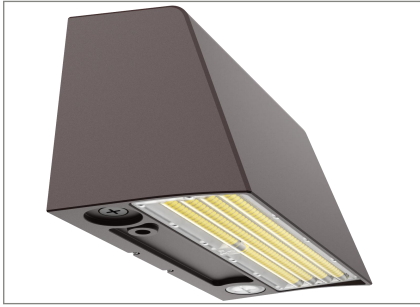


ALW-T

Project Name:	
Type:	



APPLICATION

The trapezoid wall sconce down light is ideal for walkways, building exterior walls, parking areas, entrances, underpasses, loading docks and recreation areas.

FEATURES:

- 13" full cut-off LED wall pack.
- ADC12 aluminum die-casting housing for excellent heat dissipation.
- Architectural dark bronze finish standard.
- Field adjustable wattage and CCT.
- Field adjustable distribution:
- Up / Down (20% / 80%) or 100% Down.
- Automated dusk to dawn photocell functionality. Field adjustable on/off switch.
- Optional microwave motion sensor, and EM.

MOUNTING:

- Wall mount (quick mount plate included).
- Easily installed on recessed junction boxes or direct mounts to the wall with feed thru conduit access.

LED:

- CRI >80.
- Field Adjustable Wattage.
- Field Adjustable Color Temperature: 3000/4000/5000(K)
- Lumen efficacy: up to 150 lm/W
- L70 @ 50,000 hrs

DISTRIBUTION:

- Type III (std.)
- Field adjustable distribution: up/down or 100% down.
- Polycarbonate lens.

ELECTRICAL:

- Input Voltage: 120V-277V, 50/60Hz standard.
- PF ≥ 0.90, THD < 20%
- Operating temperature: -40°F (-40°C) ~ 122°F (50°C) for standard. 32°F (0°C) ~ 104°F (40°C) with EM.
- 0-10V dimming standard.
- L-N 6kV, L-N-P 6kV surge protection (std.)

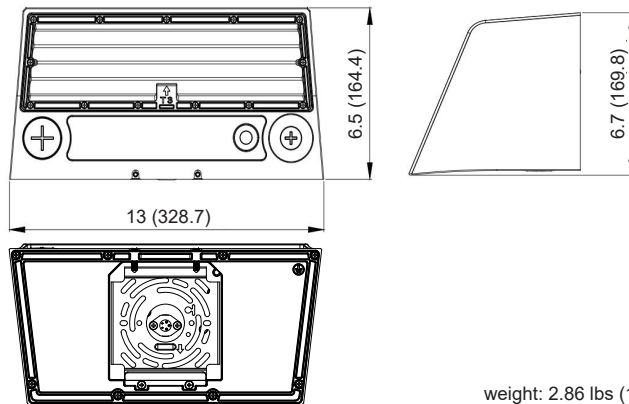
LISTING:

- UL listed for wet location.
- DLC premium listed. ¹
- IP65 rated.
- 5 years limited warranty.
- BAA compliant (optional).

CONFIGURATIONS

Series	DISTRIBUTION	LED	WATT	Lumen Output (3000/4000/5000K)	Lumen Efficiency (3000/4000/5000K)	B.U.G. Rating
ALW-T	100% DOWN	4SM	40W	6334.9 lm / 6595.6 lm / 6641.6 lm	153.2 / 163.7 / 160.7 lm/W	B2-U0-G1
			50W	7630.3 lm / 8024.7 lm / 7988.5 lm	150.4 / 162.8 / 159.6 lm/W	B2-U0-G1
			60W	8979.9 lm / 9613 lm / 9257 lm	147.7 / 162.5 / 154 lm/W	B3-U0-G1
			80W	11157 lm / 12161 lm / 12029 lm	140 / 157 / 149 lm/W	B3-U0-G1

Series	DISTRIBUTION	LED	WATT	Lumen Output (3000/4000/5000K)	Lumen Efficiency (3000/4000/5000K)	B.U.G. Rating
ALW-T	UP / DOWN (20% / 80%)	4SM	40W	6298.54 lm / 426.4 lm / 6553.5 lm	158 / 164.9 / 164.9 lm/W	B2-U4-G1
			50W	7707.8 lm / 7989.9 lm / 7996.7 lm	156.4 / 166.2 / 162.7 lm/W	B2-U4-G1
			60W	9027.1 lm / 9357.5 lm / 9329.5 lm	153.4 / 164.1 / 159.3 lm/W	B2-U4-G1
			80W	11626.4 lm / 12286.3 lm / 12170.4 lm	147.4 / 160.8 / 154.4 lm/W	B3-U4-G2



weight: 2.86 lbs (1.3kg)

All dimensions are in inches (millimeters).

ALW-T

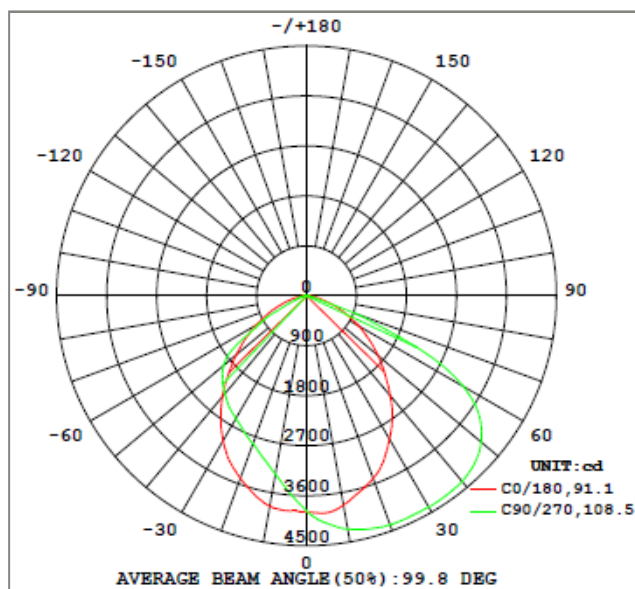
ORDERING INFORMATION

EXAMPLE: ALW-T-4SM-3T-UNV-BZ

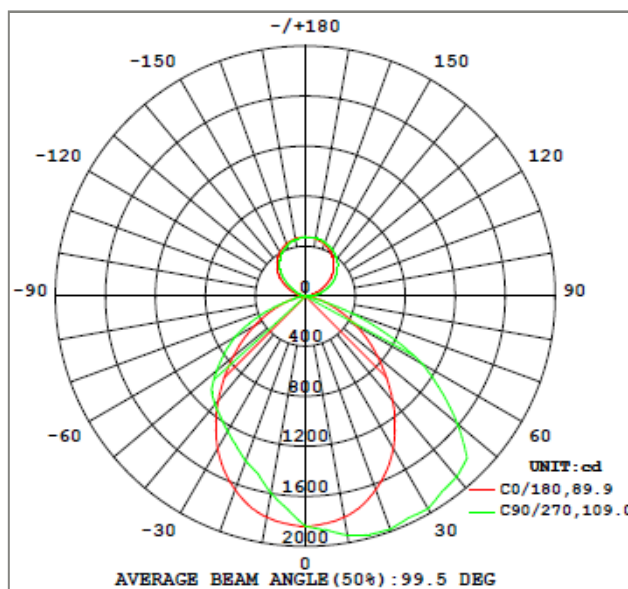
MODEL	LED		COLOR TEMP.		CRI		VOLTAGE		FINISH	
ALW-T ²	4SM	Field Selectable 40/50/60/80W LED	3T	Field Selectable 30/40/50K	(Blank)	80 CRI	UNV	120-277V (Std.)	BZ WH BK **CC	Dark Bronze (Std.) White Black Custom Color ** Additional charge & set up fee.

PHOTOCELL		OPTIONS	
(Blank)	built in on/off switching photocell	EM8-SDT	8W Self-Diagnostic Emergency Battery Backup
		EM25-SDT	25W Self-Diagnostic Emergency Battery Backup
		MS	Plug-in motion and daylight sensor
		MS-BLE	Plug-in Bluetooth motion and daylight sensor
		RC-100	Remote control for MS
		ZINC	Zinc finish
		SP10	10Kv Surge Protector
		BAA	BAA(Buy American Act) compliant
			<Bluetooth>
		AUTANI	Autani / Keilton Bluetooth control ready options.
		CASAMBI	Casambi Bluetooth control ready options.
		AVI-ON	Avi-On Bluetooth control ready options.
			* Please contact factory for Bluetooth control with sensor and other options

- NOTES:
- DesignLights Consortium (DLC) qualified product. Not all versions of this product may be DLC qualified. Please check the DLC Qualified Products List at www.designlights.org/QPL to confirm which versions are qualified.
 - Factory default setting: Photocell ON, up/down distribution, max wattage, highest CCT.



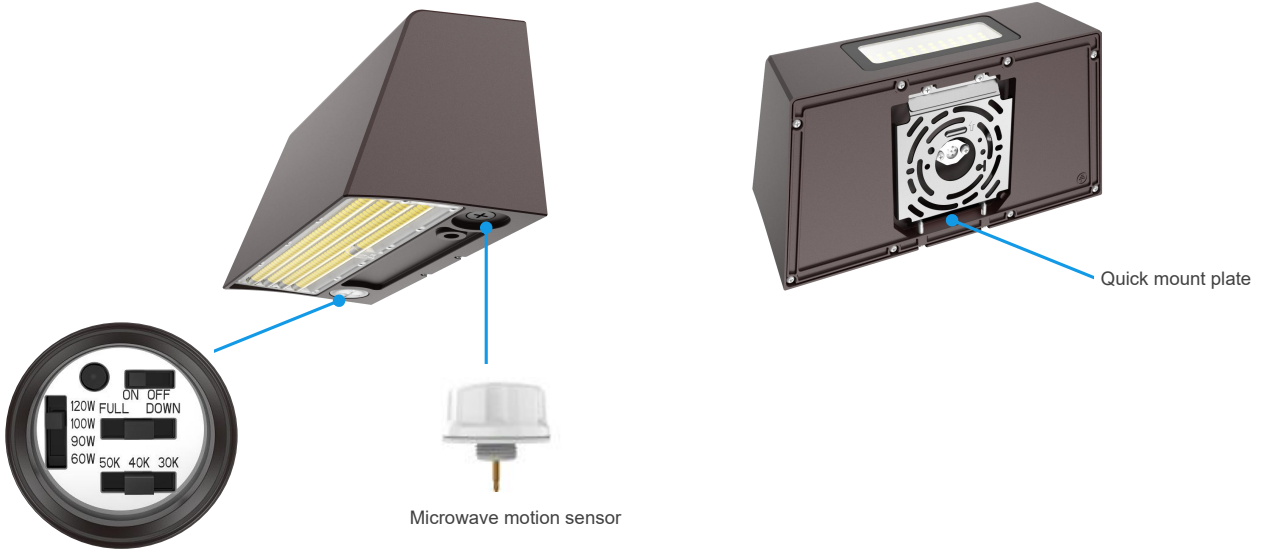
100% DOWN ONLY



UP/DOWN

ALW-T

DETAILS



Field-adjustable Wattage
Field-adjustable CCT
PhotoCell ON/OFF
Distribution selection