

CUBE1-PR-x-SF SF RECESSED MOUNT INSTALLATION INSTRUCTIONS



BEFORE YOU BEGIN
Read and follow all safety instructions

WARNING

RISK OF FIRE, EXPLOSION AND ELECTRIC SHOCK

- This product should be installed, inspected, and maintained by a qualified electrician only, in accordance with the NEC (National Electric Code) and all local codes.
- Turn off electrical power before inspection, installation or removal.
- Use only UL (or other NRTL) approved wire for input/output connections.
- Make sure LEDs and drivers are cool to touch when performing maintenance.
Make sure the supply voltage is the same as the rated voltage of the luminaire.
- Do not install in a hazardous atmosphere, except where the ambient temperature does not exceed the rated operating temperature of the fixture.
- Keep tightly closed when in operation



Prepare Electrical Wiring



Electrical Requirements

Must check if the local voltage range is correspond with the working voltage of the fixture. Use min. 75°C supply.



Grounding Instructions

The grounding and bonding of the overall system shall be done in accordance with NEC Article 600 and local codes.



Follow all applicable safety procedures and use Personal Protective Equipment such as hardhats, safety glasses, reflective vest, electrical safety gloves, fall protection equipment and safety toe boots during the installation, operation, and maintenance of the luminaire.



866-471-7711
utopialighting.com
info@utopialighting.com

Contractor is responsible for adequately reinforcing ceilings to support luminaire weight. Utopia Lighting accepts no responsibility for inadequately reinforced ceilings. The information contained in this drawing is the sole property of Utopia Lighting. Any reproduction in part or whole is prohibited and warranty is voided.

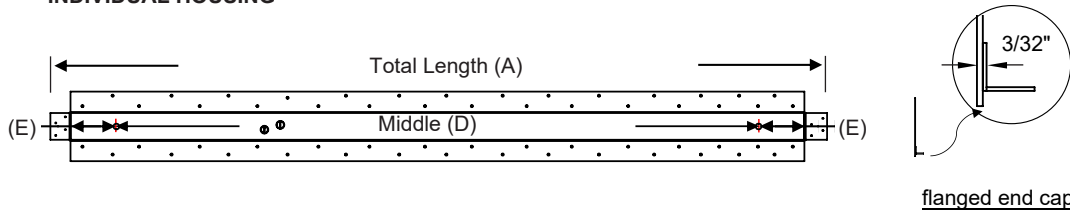
WARNING:



RISK OF FIRE AND ELECTRICAL SHOCK. FIXTURE MUST BE INSTALLED BY A QUALIFIED ELECTRICIAN ONLY IN ACCORDANCE WITH NATIONAL, LOCAL BUILDING AND ELECTRICAL CODES. DISCONNECT POWER AT ELECTRICAL PANEL BEFORE SERVICING.

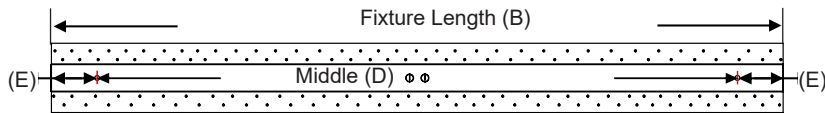
CUBE1-PR-x-SF SF RECESSED MOUNT INSTALLATION INSTRUCTIONS

INDIVIDUAL HOUSING

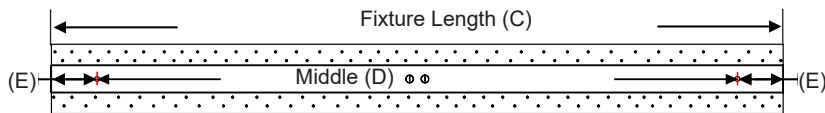


flanged end cap

INDIVIDUAL WITH 2/4" REGRESSED ¹



INTERMEDIATE RUN ²



ITEM	(A)	(B) ¹	(C) ²	(D)	(E)
CUBE1-2FT	26.4"	23.95"	23.87"	17.87"	3"
CUBE1-3FT	38.4"	35.95"	35.87"	29.87"	3"
CUBE1-4FT	50.4"	47.95"	47.87"	41.87"	3"
CUBE1-6FT	74.4"	71.95"	71.87"	65.87"	3"
CUBE1-8FT	98.4"	95.95"	95.87"	89.87"	3"

* A flat end cap has 1/16" thickness.

* Flange is 1-1/4"

** +/- 1/16" manufacturing tolerance not included.

1. Including flat end caps at both ends.
2. A middle run that doesn't require end caps, measured without end caps.



866-471-7711
 utopialighting.com
 info@utopialighting.com

Contractor is responsible for adequately reinforcing ceilings to support luminaire weight. Utopia Lighting accepts no responsibility for inadequately reinforced ceilings. The information contained in this drawing is the sole property of Utopia Lighting. Any reproduction in part or whole is prohibited and warranty is voided.

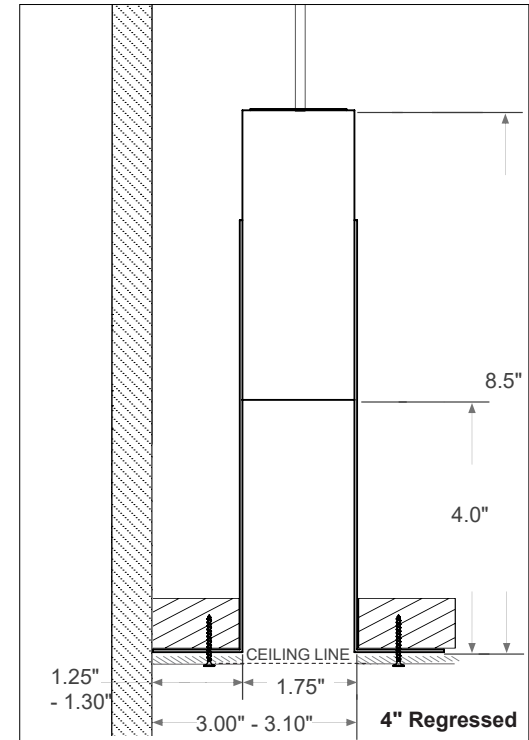
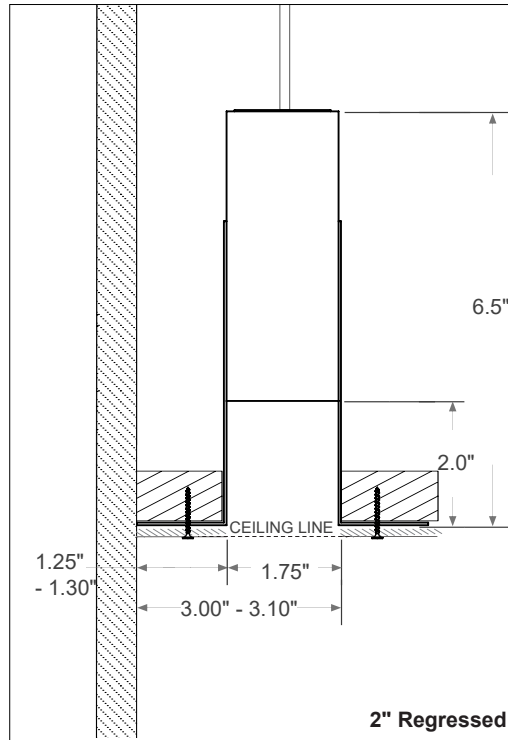
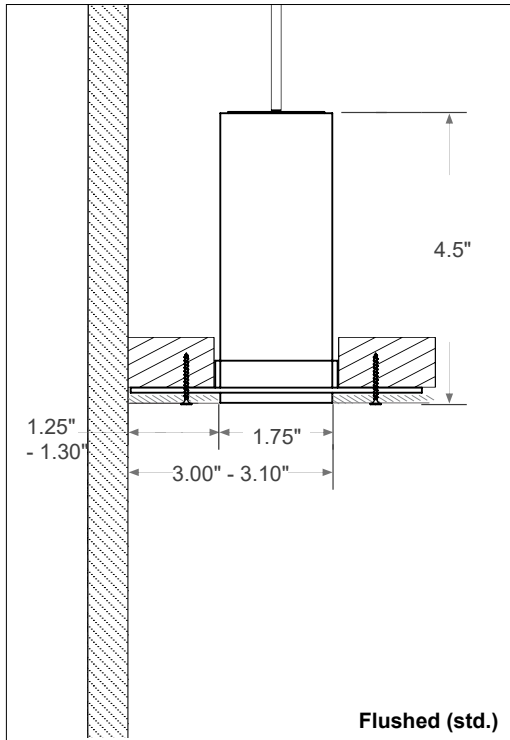
WARNING:



RISK OF FIRE AND ELECTRICAL SHOCK. FIXTURE MUST BE INSTALLED BY A QUALIFIED ELECTRICIAN ONLY IN ACCORDANCE WITH NATIONAL, LOCAL BUILDING AND ELECTRICAL CODES. DISCONNECT POWER AT ELECTRICAL PANEL BEFORE SERVICING.

CUBE1-PR-x-SF SF RECESSED MOUNT INSTALLATION INSTRUCTIONS

WALL / CEILING PREPARATION - FIXED type



- * (2) 3/8" ROD must be installed prior to drywall.
- * (2) 3/8" ROD must be secured to structure above.
- * Ceiling cutout =
Fixture length (B)** + 1/4"
Fixture width + 1/4"

* 3/8" ROD by others.

** EXAMPLE:

Individual 4FT: $48\text{-}3/16" + 1/4" = 48\text{-}7/16"$

Continuous Run:

8FT (4x2): $48\text{-}3/16" + 48" + 1/4" = 96\text{-}7/16"$

12FT (4x3): $48\text{-}3/16" + 48" + 48" + 1/4" = 144\text{-}7/16"$

16FT (4x4): $48\text{-}3/16" + 48" + 48" + 48" + 1/4" = 192\text{-}7/16"$



866-471-7711
 utopialighting.com
 info@utopialighting.com

Contractor is responsible for adequately reinforcing ceilings to support luminaire weight. Utopia Lighting accepts no responsibility for inadequately reinforced ceilings. The information contained in this drawing is the sole property of Utopia Lighting. Any reproduction in part or whole is prohibited and warranty is voided.

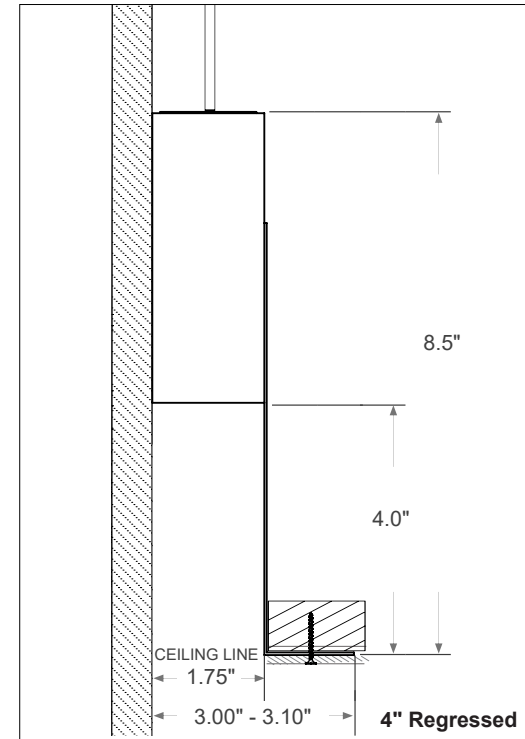
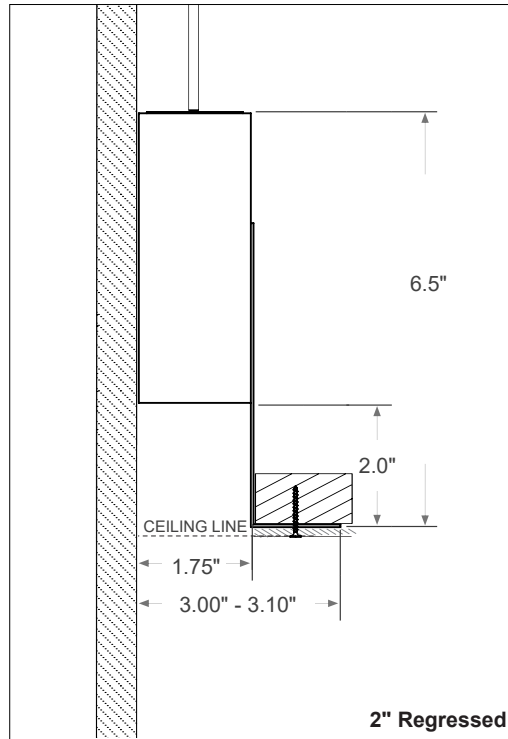
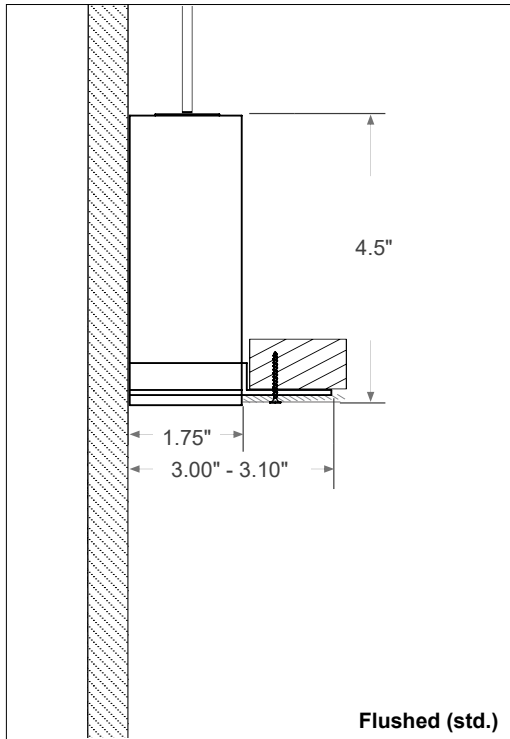
WARNING:



RISK OF FIRE AND ELECTRICAL SHOCK. FIXTURE MUST BE INSTALLED BY A QUALIFIED ELECTRICIAN ONLY IN ACCORDANCE WITH NATIONAL, LOCAL BUILDING AND ELECTRICAL CODES. DISCONNECT POWER AT ELECTRICAL PANEL BEFORE SERVICING.

CUBE1-PR-x-SF SF RECESSED MOUNT INSTALLATION INSTRUCTIONS

WALL / CEILING PREPARATION - NF type



- * (2) 3/8" ROD must be installed prior to drywall.
- * (2) 3/8" ROD must be secured to structure above.
- * Ceiling cutout =
Fixture length (B)** + 1/4"
Fixture width + 1/4"

* 3/8" ROD by others.

** EXAMPLE:

Individual 4FT: $48\text{-}3/16" + 1/4" = 48\text{-}7/16"$

Continuous Run:

8FT (4x2): $48\text{-}3/16" + 48" + 1/4" = 96\text{-}7/16"$

12FT (4x3): $48\text{-}3/16" + 48" + 48" + 1/4" = 144\text{-}7/16"$

16FT (4x4): $48\text{-}3/16" + 48" + 48" + 48" + 1/4" = 192\text{-}7/16"$



866-471-7711
 utopialighting.com
 info@utopialighting.com

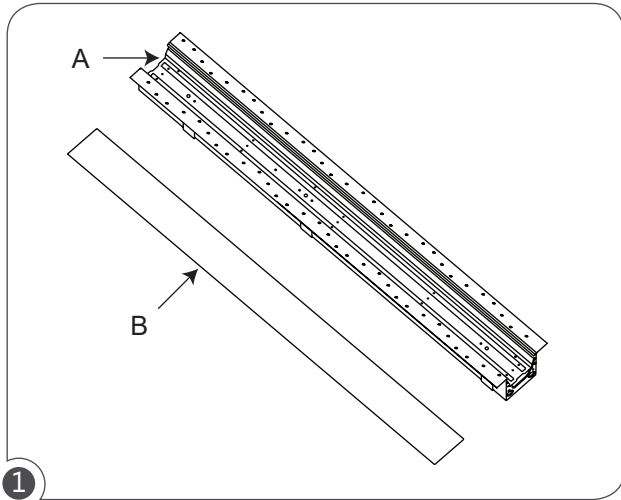
Contractor is responsible for adequately reinforcing ceilings to support luminaire weight. Utopia Lighting accepts no responsibility for inadequately reinforced ceilings. The information contained in this drawing is the sole property of Utopia Lighting. Any reproduction in part or whole is prohibited and warranty is voided.

WARNING:

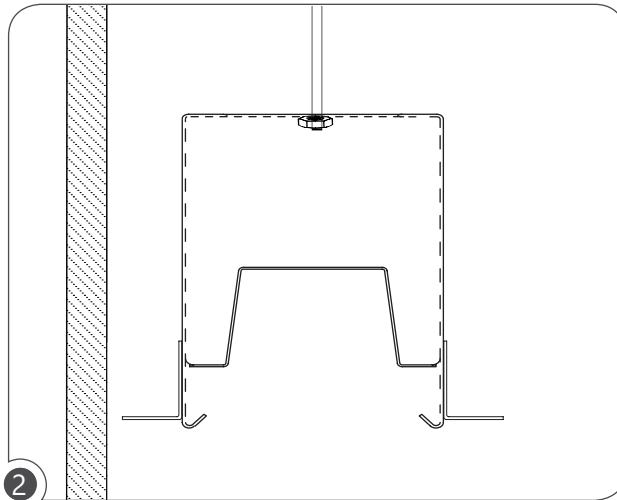


RISK OF FIRE AND ELECTRICAL SHOCK. FIXTURE MUST BE INSTALLED BY A QUALIFIED ELECTRICIAN ONLY IN ACCORDANCE WITH NATIONAL, LOCAL BUILDING AND ELECTRICAL CODES. DISCONNECT POWER AT ELECTRICAL PANEL BEFORE SERVICING.

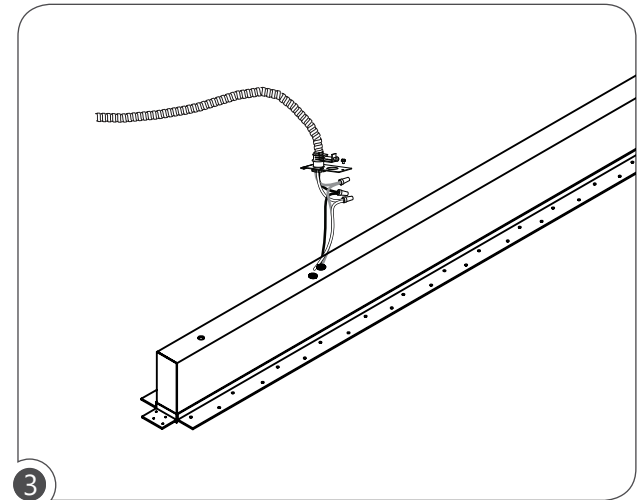
CUBE1-PR-x-SF SF RECESSED MOUNT INSTALLATION INSTRUCTIONS



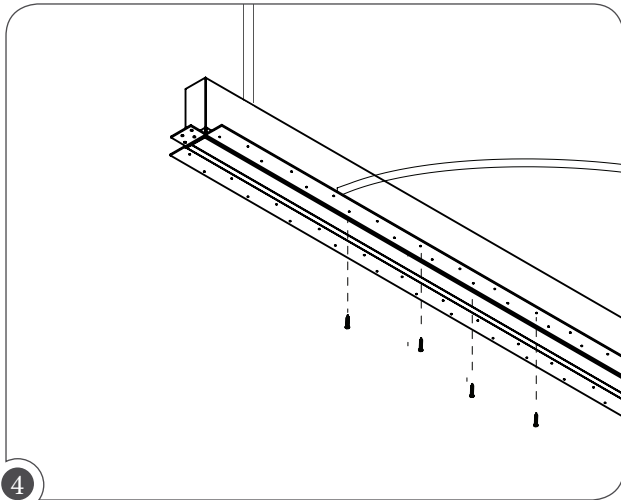
1 Remove Lens (B) and LED module plate (A). Some configurations may ship with a separate lens.



2 Secure to structure above with 3/8" rods (by others).
CONTINUOUS RUN: skip to step 9-10, return to step 3



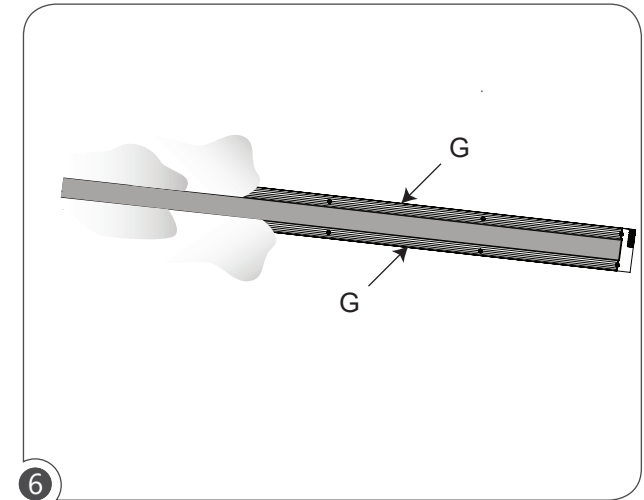
3 Make electrical connections.
For 2 1/4" Regressed: use a long tool to push-in the wires.



4 Drywall installs behind mud flange. Recommended to install screws at least 4" apart.



5 Wooden stud or furring channel must be used to reinforce the screws to the drywall. **DO NOT** drive screws at an angle.



6 Plaster and sand over spackle flange (G) to create a smooth finish.



866-471-7711
utopialighting.com
info@utopialighting.com

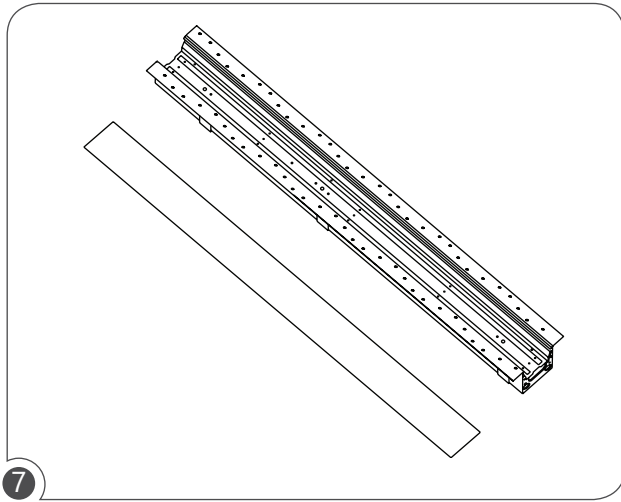
Contractor is responsible for adequately reinforcing ceilings to support luminaire weight. Utopia Lighting accepts no responsibility for inadequately reinforced ceilings. The information contained in this drawing is the sole property of Utopia Lighting. Any reproduction in part or whole is prohibited and warranty is voided.

WARNING:

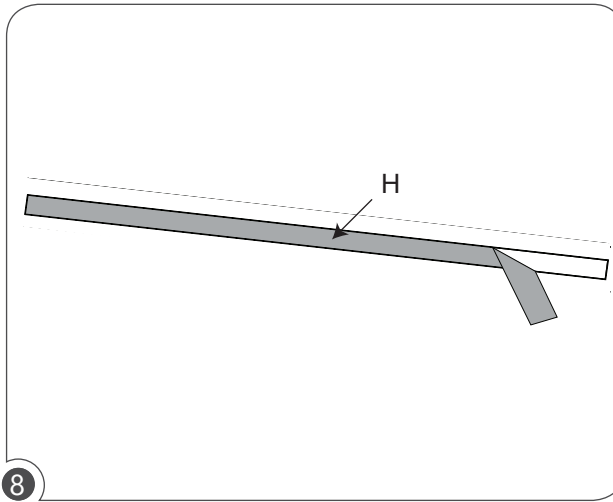


RISK OF FIRE AND ELECTRICAL SHOCK. FIXTURE MUST BE INSTALLED BY A QUALIFIED ELECTRICIAN ONLY IN ACCORDANCE WITH NATIONAL, LOCAL BUILDING AND ELECTRICAL CODES. DISCONNECT POWER AT ELECTRICAL PANEL BEFORE SERVICING.

CUBE1-PR-x-SF SF RECESSED MOUNT INSTALLATION INSTRUCTIONS



Reinstall module plate and lens.



Remove protective film from lens BEFORE last plaster layer is fully dry.



866-471-7711
utopialighting.com
info@utopialighting.com

Contractor is responsible for adequately reinforcing ceilings to support luminaire weight. Utopia Lighting accepts no responsibility for inadequately reinforced ceilings. The information contained in this drawing is the sole property of Utopia Lighting. Any reproduction in part or whole is prohibited and warranty is voided.

WARNING:



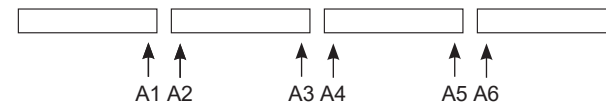
RISK OF FIRE AND ELECTRICAL SHOCK. FIXTURE MUST BE INSTALLED BY A QUALIFIED ELECTRICIAN ONLY IN ACCORDANCE WITH NATIONAL, LOCAL BUILDING AND ELECTRICAL CODES. DISCONNECT POWER AT ELECTRICAL PANEL BEFORE SERVICING.

CUBE1-PR-x-SF SF RECESSED MOUNT INSTALLATION INSTRUCTIONS

CONTINUOUS RUN INSTALLATION

TOOLS NEEDED:

- Cordless drill and an elbow or L-shape adapter with Philips Insert Bit extension.
- * **For 2/4" Regressed:** Drill-bit extension required for additional height.

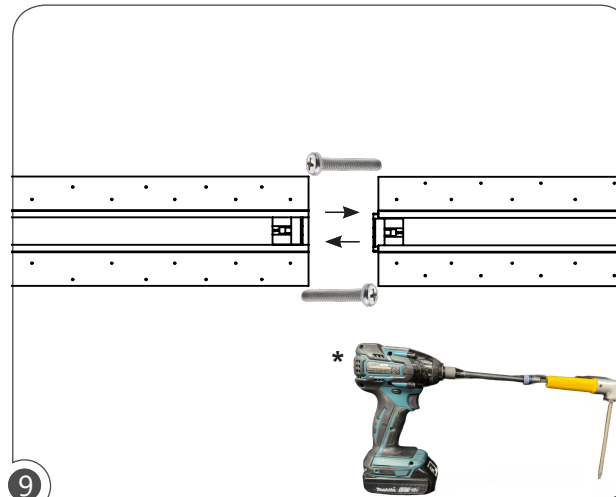


Continuous Row

Align continuous row fixtures in numerical order under the same alphabet family.

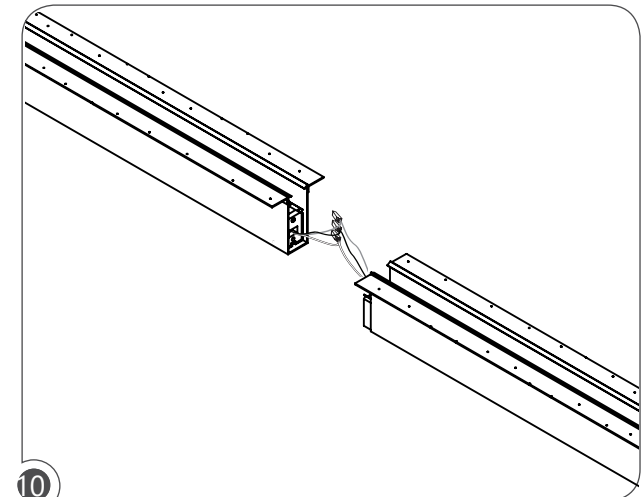


A set of joiner is pre-installed at every joint. (2) bolts included.



Align fixtures and pull together from the opposite side with 2 bolts (provided) using an L-shape adapter.

* **For 2/4" Regressed:** extension required for the additional height.



Make electrical connection.



866-471-7711
utopialighting.com
info@utopialighting.com

Contractor is responsible for adequately reinforcing ceilings to support luminaire weight. Utopia Lighting accepts no responsibility for inadequately reinforced ceilings. The information contained in this drawing is the sole property of Utopia Lighting. Any reproduction in part or whole is prohibited and warranty is voided.

WARNING:



RISK OF FIRE AND ELECTRICAL SHOCK. FIXTURE MUST BE INSTALLED BY A QUALIFIED ELECTRICIAN ONLY IN ACCORDANCE WITH NATIONAL, LOCAL BUILDING AND ELECTRICAL CODES. DISCONNECT POWER AT ELECTRICAL PANEL BEFORE SERVICING.