



### BEFORE YOU BEGIN

Read and follow all safety instructions



### WARNING

#### RISK OF FIRE, EXPLOSION AND ELECTRIC SHOCK

- This product should be installed, inspected, and maintained by a qualified electrician only, in accordance with the NEC (National Electric Code) and all local codes.
- Turn off electrical power before inspection, installation or removal.
- Use only UL (or other NRTL) approved wire for input/output connections.
- Make sure LEDs and drivers are cool to touch when performing maintenance.  
Make sure the supply voltage is the same as the rated voltage of the luminaire.
- Do not install in a hazardous atmosphere, except where the ambient temperature does not exceed the rated operating temperature of the fixture.
- Keep tightly closed when in operation



#### Prepare Electrical Wiring



##### Electrical Requirements

Must check if the local voltage range is correspond with the working voltage of the fixture. Use min. 75°C supply.



##### Grounding Instructions

The grounding and bonding of the overall system shall be done in accordance with NEC Article 600 and local codes.

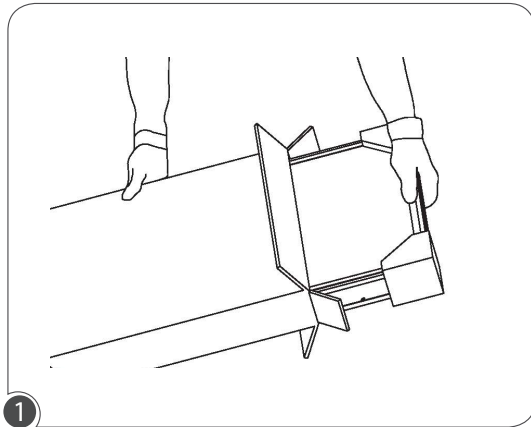


Follow all applicable safety procedures and use Personal Protective Equipment such as hardhats, safety glasses, reflective vest, electrical safety gloves, fall protection equipment and safety toe boots during the installation, operation, and maintenance of the luminaire.

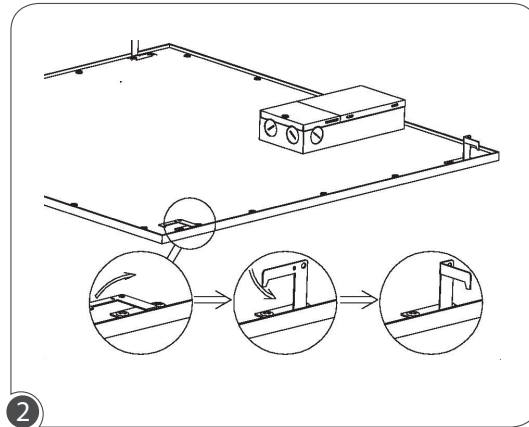


# BLOCK-AD

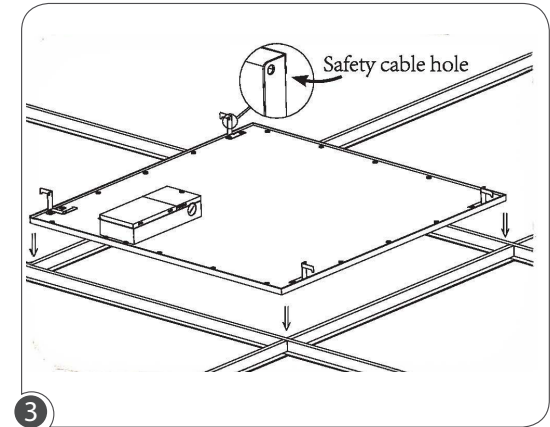
## INSTALLATION INSTRUCTIONS



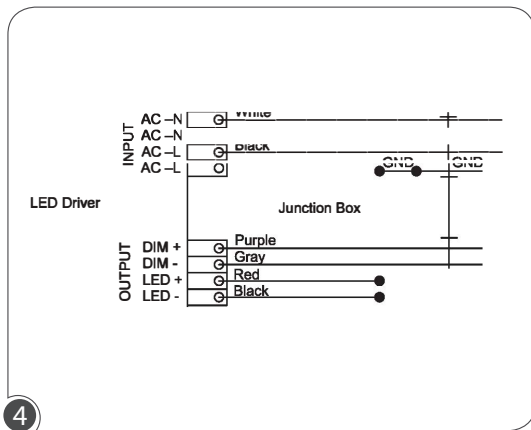
1 Carefully unpack and properly inspect for any defect before installing.



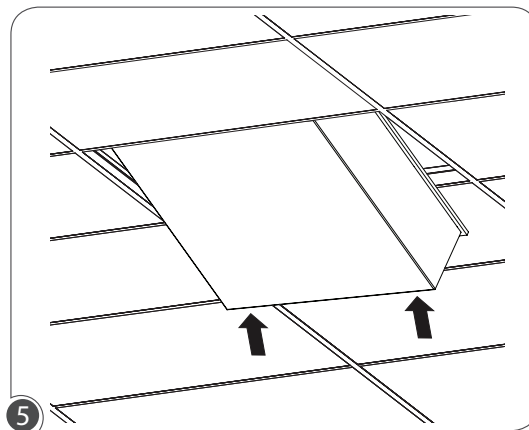
2 Lift up (4) mounting clips on the sides of the luminaire.



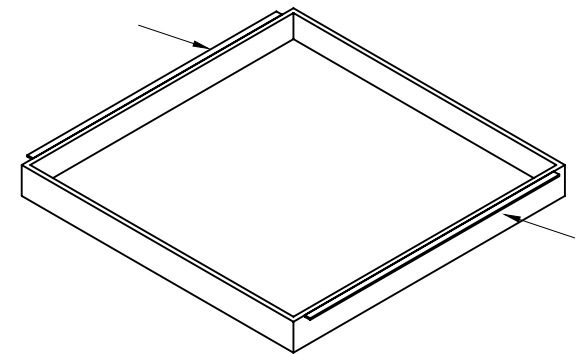
3 Insert and secure luminaire into T-bar ceiling grid. Safety cable holes are provided for increased security / seismic activity.



4 Follow the wiring diagram to make electrical connection.



5 Slide in the **AD** part (Acrylic Drop) underneath the fixture and properly position it to complete the installation.



**AD (Acrylic Drop)** comes with 2 tabs on the side.  
\* **AD ships separately**



866-471-7711  
utopialighting.com  
info@utopialighting.com

Contractor is responsible for adequately reinforcing ceilings to support luminaire weight. Utopia Lighting accepts no responsibility for inadequately reinforced ceilings. The information contained in this drawing is the sole property of Utopia Lighting. Any reproduction in part or whole is prohibited and warranty voided.

WARNING:



RISK OF FIRE AND ELECTRICAL SHOCK. FIXTURE MUST BE INSTALLED BY A QUALIFIED ELECTRICIAN ONLY IN ACCORDANCE WITH NATIONAL, LOCAL BUILDING AND ELECTRICAL CODES. DISCONNECT POWER AT ELECTRICAL PANEL BEFORE SERVICING.