

ED

Project Name:	
Type:	



APPLICATION

Ideal for commercial and industrial facilities where economy, appearance and the ultimate ease of installation and maintenance are desired. LED die-cast aluminum series utilizes a unique illumination design in an architecturally pleasing housing.

FEATURES:

- Energy efficient long life LED die-cast aluminum housing with universal mounting kit.
- Innovative snap-together design allows for fast and easy installation.
- Letters 6" height with 3/4" stroke.
- Field selectable knockout Chevron directional indicators.
- Single or double face configuration.
- 90+ minute emergency operation.
- Available in white or black housing.

MOUNTING:

- Universal (wall or ceiling) mounting.
- Universal knockouts on back plate allow for wall mounting directly to standard J-Box. Canopy and mounting hardware provided.

ELECTRICAL:

- 120/277V dual voltage operation standard.
- Charge rate and power AC mode green LED indicator light, battery Disconnected mode red LED indicator light.
- Manual push-to-test switch provides for on-demand visual inspection of 30-second testing.

LAMPS:

- LED lamps are operating in normal (AC input) and emergency (DC input) modes.
- Ultra-bright, energy efficient, long-life Red or Green LEDs with more than 10 year lifecycle.
- LEDs have a minimum rated lamp life of 100,000 hours.

BATTERY:

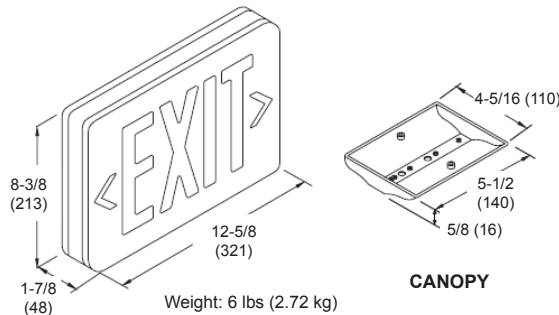
- 4.8V long life maintenance-free, rechargeable nickel-cadmium battery (self-powered) on emergency (EM) units.
- Fully automatic solid-state charging system, two-rate charger initiates battery charging to recharge a discharged battery in 24 hours.
- Internal solid-state transfer switch automatically connects the internal battery to LEDs for minimum 90 minute emergency illumination
- LVD (Low Voltage Disconnection) prevents battery from deep discharge.
- Brownout circuit.

OPTION:

- SDT: Self-diagnostic testing, continually diagnoses unit's performance and test system (Self-diagnostic testing for 30-second discharge once every 30-days and 30-minutes every six months) to ensure reliable operation and to meet electrical and life safety code.
- Dual circuit option on the AC-only unit enables it to be connected to two different (primary and secondary, one acting as a back-up for the other) supplies at the same time.
- TR: Tamper proof screws in corners seal the unit.

LISTING:

- 5 years limited warranty on materials and all electronics. Battery pro-rated for five years.
- LED lamps are 25 years limited warranty.
- UL listed for damp locations. (0°C –50°C) & meets UL924, NFPA 101 Life Safety Code, NEC, OSHA, Local and State Codes.
- ARRA and BAA compliant. (optional)
- Certified to CEC under Title 20 Regulations.
- NFPA 70 compliant.



All dimensions are in inches (millimeters).

ELECTRICAL INFORMATION

	Input Watts (W)		Input Amps (A)
Red Emergency Models	120V	3.2W	0.031A
	277V	3.6W	0.019A
Green Emergency Models	120V	3.8W	0.033A
	277V	4.4W	0.017A

DIE-CAST ALUMINUM LED EXIT SIGN

ED

ORDERING INFORMATION

EXAMPLE: ED-S-R-1-W-W

MODEL	# OF FACE	LETTER	OPERATION	FACE COLOR	HOUSING COLOR
ED	S Single	R Red	(Blank) AC-only 1 Battery Back up 2A Dual circuit (120V) ² 2B Dual circuit (277V) ²	BA Brushed Aluminum Face	A Brushed Aluminum Housing W White Housing B Black Housing
	D Double				
	U Universal Single/Double Face				

OPTIONS	
WG-1	Steel Wire Guard (13.5" x 15" x 6")
PCS-1	Polycarbonate Guard (3.25" x 9" x 2.75")
BG-1	Vandal Shield Guard, Polycarbonate (15" x 22" x 8")
SDT	Self Diagnostics ¹
TR	Tamper proof Screws
BAA	BAA (Buy American Act) compliant

NOTES:

- 1. Available only with EM Battery Backup units.
- 2. Available only with AC units.