

MFL8 LED

Project Name:	
Type:	



CASAMBI

APPLICATION

MFL8 aims to provide customers with an economical, efficient, flexible and long-life floodlight. The low-profile and stylish exterior design can be well integrated into various architectural environments. MFL8 is very suitable for general flood lighting of courtyards, driveways, buildings, billboards, etc.

FEATURES:

- Die-cast aluminum optimize the best heat dissipation management as the main part of the fixture, which effectively improves the LED efficiency.
- Durable surface coating powder spraying and fully sealed tempered glass can extend the durability of the fixture.
- One-piece die-cast aluminum housing with optimal thermal management both enhances LED efficacy and extends fixture's life.
- Field adjustable wattage and color temperature
- Photocell pre-installed as standard.

MOUNTING:

- 1/2" NPS Knuckle, Slipfitter, Trunnion and Yoke are all available.

LED:

- Lumileds LED
- Color Temperature: 3000 / 4000 / 5000K
- Lumen efficiency: up to 161 lm/W
- Color rendering index > 70
- Life span: 50,000 hours
- Lumen Maintenance L70 greater than 100,000 hours IESNA TM-21.

OPTIC:

- Optics(NEMA Type): 7Hx7V.
- Scalable Lumen Packages from 2,050 to 19,000 Lumens.
- The use of advanced refraction and reflection optical design concepts provides an optimal combination of vertical and horizontal illumination.
- The heat-resistant and impact-resistant toughened glass maximizes light extraction while obtaining a great night appearance.

ELECTRICAL:

- Universal 120-277 VAC input voltage.
- 1-10V dimming.
- Both drivers have a power factor >90%, THD <20%.
- Operating Temperature Range: -40°C - + 40°C (-40°F - + 104°F).

LISTING:

- UL / cUL listed.
- DLC Premium listed.
- IP65
- IES LM-80 results and TM-21 calculations
- Suitable for wet location.
- 5 years limited warranty.
- ARRA compliant. (optional)

SPECIFICATION

	Model#	Voltage	DIST. TYPE	CRI	Lumen Output (3000K)	Lumen Efficiency (3000K)	Lumen Output (4000K)	Lumen Efficiency (4000K)	Lumen Output (5000K)	Lumen Efficiency (5000K)	Mounting
MFL8	27LED	120-277V	7Hx7V	70	3500 lm	130 lm/W	3800 lm	141 lm/W	3600 lm	133 lm/W	KN
	65LED				9200 lm	142 lm/W	9700 lm	149 lm/W	9400 lm	145 lm/W	KN, TR
	120LED				17500 lm	146 lm/W	19000 lm	158 lm/W	18000 lm	150 lm/W	YK, SF

ADJUSTABLE LUMEN OUTPUT TABLE

SETTING	27W		65W		120W	
	SYSTEM WATTS	LUMENS (5000K)	SYSTEM WATTS	LUMENS (5000K)	SYSTEM WATTS	LUMENS (5000K)
100%	27.23	3672	65.5	9438	122.9	18092
80%	20.4	2856	54.3	7824	98.82	15119
60%	15.52	2234	41.2	5937	71.28	11206
40%	11.4	1690	27.5	3963	52.8	8581

MFL8 LED

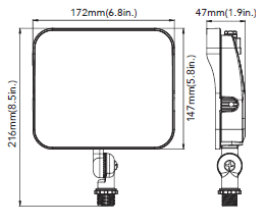
ORDERING INFORMATION

EXAMPLE: MFL8-L27-3T-UNV-D-BZ-KN

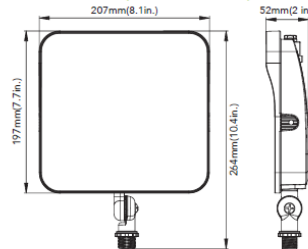
MODEL	LED	COLOR TEMP.	VOLTAGE	DIMMING
MFL8	L27 27W LED with Adjustable output control (100/80/60/40%) L65 65W LED with Adjustable output control (100/80/60/40%) L120 120W LED with Adjustable output control (100/80/60/40%)	-3T Selectable 30/40/50K	UNV 120-277V	D 1-10V dim

FINISH		OPTICS		MOUNTING		PHOTOCELL		OPTIONS	
BZ	Dark Bronze RAL#8019 (Std.)	(Blank)	7H x 7V	KN Knuckle Mount TR Trunnion Mount YK Yoke Mount SF Slip Fitter <small>* Refer to configuration chart for availability</small>		(Blank)	Photocell pre-installed	ARRA CASAMBI	Assembled in USA Contact factory for CASAMBI READY options

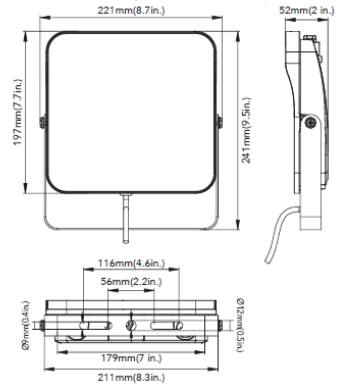
27LED (KNUCKLE MOUNT)



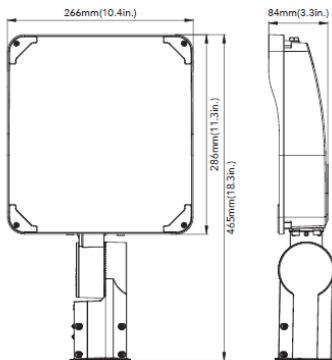
65LED (KNUCKLE MOUNT)



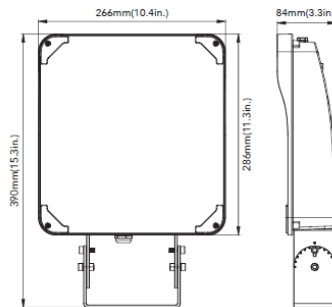
65LED (TRUNNION MOUNT)



120LED (SLIP FITTER)



120LED (YOKE MOUNT)



MFL8 LED

MOUNTING



KNUCKLE MOUNT (27W/65W)



TRUNNION MOUNT (65W)

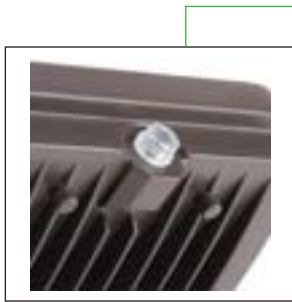


SLIP FITTER (120W)



YOKE MOUNT (120W)

PHOTOCELL



Photocell allows for security and energy saving