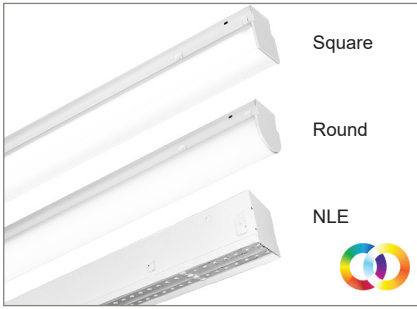


SS LED

Project Name:	
Type:	



APPLICATION

The LED slim strip light series are more efficient and compact. The LED technology used illuminates a crisper brightness while saving more energy to that of the traditional lights. Its functionality makes it a standard fixture used in storage areas, displays, institutions, industrial and retail applications.

APPLICATION

These color capable luminaires bring flexibility and open doors to various types of applications. The RGB technology is a combination of three primary colors - red, green, and blue - to form a different array of colors. The RGBW technology is a combination of those three primary colors in addition to white. Additional white LEDs illuminates a much purer white tone and brings flexibility for color mixing through the RGB chips. Playing with different colors of the LEDs can form infinite color hue possibilities to not only just illuminate space, but manipulate for your desired hue and shades. Flexible control solutions from wireless remote, Bluetooth, to DMX512 with a wall mount touch panel can provide an ultimate solution to optimize the needs from residential to commercial, healthcare, education, retails, entertainment, office, and more.

FINISH:

- Standard powder-coat textured white paint finish on exposed trim.
- Consult factory for custom colors.
- Comes with snap-in acrylic lens as standard.

MOUNTING:

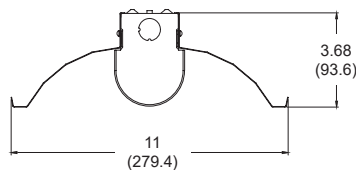
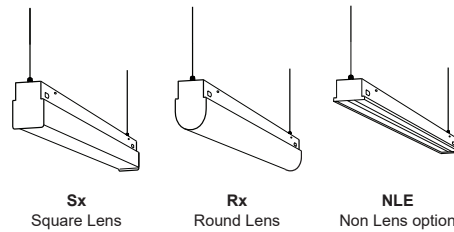
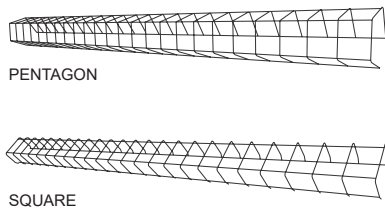
- Fixture is wall mounted (Not available with sensor option), surface mounted, or suspended mounted with chains, stems or cables.
- Joiner clip provided for easy continuous run (with "CON" option).
- Metal belly band provided to eliminate light leak from space between lenses in continuous run (with "CON" option).
- Rotatable mounting bracket is optional.
- Compatible with most ceiling types.

LISTING:

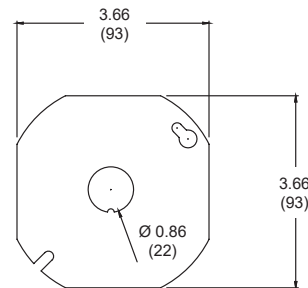
- UL / CUL listed.
- Listed to UL 1598 and UL 8750
- UL listed for dry & damp location.
- Assembled in USA.
- Warranty:
Power Supply: 5 years limited warranty.
DMX: 3 years limited warranty.
LED: 3 years limited warranty.

WIRE GUARD

Pentagon : Available with Round/Square Lens options.
 Square : Available with Non-Lens option.



SYM : Symmetric Reflector



JC4 : Octagon cover plate

SS LED

ORDERING INFORMATION

*Considered custom products and non-cancellable, non-returnable, and non-refundable with the exception of manufacturer defects or damages.

EXAMPLE: SS-4-LO-RGBW-30K-UNV-SF-CV24-BLT

MODEL	LENGTH		LED	SYSTEM ²	VOLTAGE
SS	2	2' Length	LO HO Low output, 9.3W/ft High output, 18.6W/ft	RGBW-30K RGBW-40K	UNV 120-277V (Std.)
	3	3' Length			
	4	4' Length			
	8	8' Length ¹			
		(Blank) Wiring for Individual mount (Std.)			
		CON Wiring for Continuous mount (Specify row/length and number of power feed)			
		<small>* Number of circuit(s) should be determined by the customer prior to ordering the continuous run considering the AC input voltage and total run wattage.</small>			

DIFFUSER		MOUNTING			FITTURE FINISH	
SC	Square - Clear Acrylic Lens	(Blank)	Ceiling Mount	(Blank) *BK **CC *AMB	Semi-Glossy White (Std.)	
SF	Square - Frosted Acrylic Lens	VH	V-Hook		Black (RAL#9011)	
RC	Round - Clear Acrylic Lens	CHxx	Chain for use with V-hook (xx=length)		Custom Color	
RF	Round - Frosted Acrylic Lens	ACxx	Adjustable Aircraft Cable w/ Canopy (* xx = Specify length (48 or 96))		Anti-Microbial Coating (Matte Skye White)	
NLE	Non Lens option	YCxx	Adjustable Aircraft Y-cable with Toggles (* xx = Specify length in inches (60, 120, 180))			
		SH-3/8-xx	3/8" IPS STEM w/ Canopy			
		SH-1/2-xx	1/2" IPS STEM w/ Canopy (* xx = 18, 24, 36, 48 inches)			
		IDS	T-Bar Clip for Surface Mount			
		RB	Ceiling / Wall mount with rotatable bracket			
		CD	Conduit run			
				<small>* Non-standard finish with extra charge. ** Additional charge & set up fee.</small>		

CORD FINISH (for pendant)		CANOPY FINISH (for pendant)		CEILING TYPE (for pendant)		LED DRIVER		CONTROLS ^{3,4}	
(Blank) *BKC	White (Std.)	(Blank) *BC *SC **CSS	White (Std.)	X1 X2 X3 X4	15/16" grid T-bar ceiling	CV24 24VDC Power Supply	WL-MZ-WH WL-MZ-BK BLT	4-Zone RF remote, white	
	Black		Black Canopy		Hard ceiling			4-Zone RF remote, black	
			Silver Canopy		Sloped Hard ceiling			Bluetooth / Smartphone App	
			Custom Canopy Color (White is Std.)		9/16" T-bar ceiling	4DMX 4-Channel DMX512 decoder ⁴	(Blank) DMXT14 DMXT8	No options or controls from below	
								4-zone DMX512 wall mount touch panel, 100-240VAC input only	
								4-zone DMX512 wall mount touch panel, 100-240VAC input only 5vdc adapter provided	
								<small>* Non-standard finish with extra charge. ** Additional charge & set up fee.</small>	

OPTIONS	
WG	Wireguard (white)
SYM	Symmetric Reflector
ASY	Asymmetric Reflector
JC4	4" Octagon shape junction box cover plate
WL-HLD-WH	Remote holder for WL-MZ, white
WL-HLD-BL	Remote holder for WL-MZ, black

NOTES:

- Tandem units.
- Custom wattage or lumen is not available.
- Refer to Table 1 and Table 2 to find more information.
- May be provided with remote box for 2' fixture.

SS LED

RGBW CONFIGURATION

Input Voltage	24V
Watt & Lumen Efficiency	9.3 W/FT, 563 LM/FT, 60.53 LM/W (DLO) 18.6 W/FT, 1126 LM/FT, 60.53 LM/W(DHO)
Lumen Output	Red: 36.82 LM/FT (DLO) 73.64 LM/FT (DHO)
	Green: 79.55 LM/FT (DLO) 159.10 LM/FT (DHO)
	Blue: 25.82 LM/FT (DLO) 51.64 LM/FT (DHO)
	White: DLO - 100.35 lm/W (30K), 116.8 lm/W (40K) DHO - 100.35 lm/W (30K), 116.8 lm/W (40K)
CRI for white LEDs	95
Color Consistency	3-step MacAdam binning
Lumen Maintenance	> 50,000 hours
Control Options	Wireless Easy control remote, Group / Multi Zone wireless remote, Bluetooth (Smartphone / APP)
Warranty	5 years limited warranty for power supply, 15 years limited warranty for LED source

CONTROL (TABLE 1)



* Remote holder sold separately

WL-MZ (RF remote control)

Dimensions	W 2" x D 0.825" x H 4.725"
Weight	0.1lbs
Signal Type	RF (Radio Frequency) 2.4GHz
Range	98ft from fixture open air
Zone / Mode	4 zones / 9 modes
Working Temp.	-4°F to 131°F (-20°C to 55°C)
* Battery	2 x AAA battery

* Not included



WL-HLD-WH



WL-HLD-BK



Smart Life



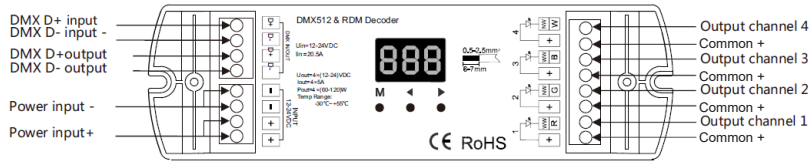
Tuya Smart

BLT (Bluetooth / Smartphone App)

Bluetooth	
Software	IOS 8.0 and up, Android 4.4 and up
App	Smart Life or Tuya Smart supported
Features	Group, Scenes
Bluetooth Distance	> 49ft in open area
Additional Feature	Home Management / Third party control -> Alexa, Google Assistant (by others)

SS LED

4DMX (TABLE2)



4DMX (4-channel DMX decoder)

Dimensions	L 6.7" x W 2" x D 0.9"
Output Current	5A / channels
Input Voltage	12-24V DC
Output Power	4 x (60-120)W
Frequency	PWM output



DMXT14

Zone	4 zone
Signal	DMX512 protocol
Dimensions	L 3.4" x H 3.4" x D 1.45"
Features	10 built-in mode, scene
Operating Temp.	-22°F ~ 131°F (-30°C ~ 55°C)



DMXT8

Zone	4 zone
Signal	DMX512 protocol
Dimensions	L 7" x H 1.3" x D 1.9"
Features	12 built-in mode, scene
Operating Temp.	-22°F ~ 131°F (-30°C ~ 55°C)

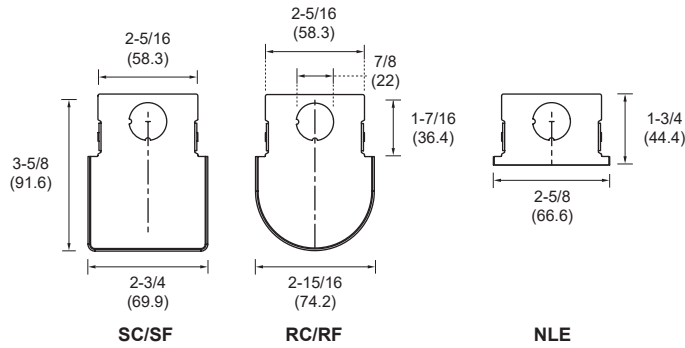
SS LED

Specifications: SS-2
Weight: 4.7 lbs (2.13 kg)

Specifications: SS-4
Weight: 6.9 lbs (3.13 kg)

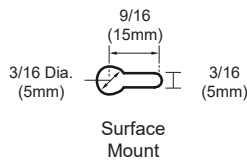
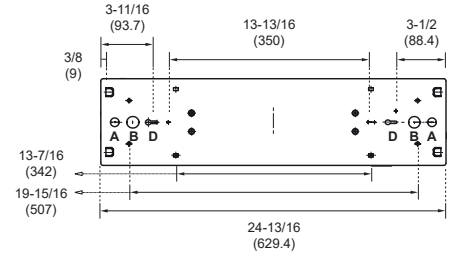
Specifications: SS-8
Weight: 10.43 lbs (4.73 kg)

END VIEW

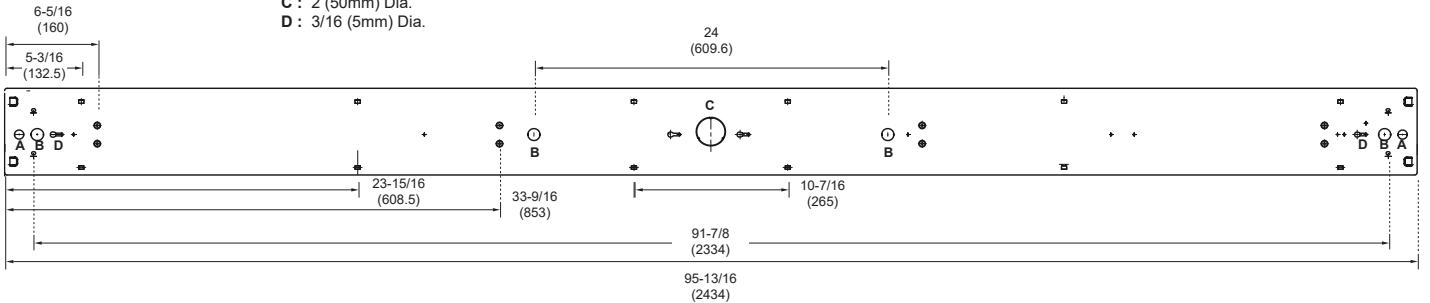
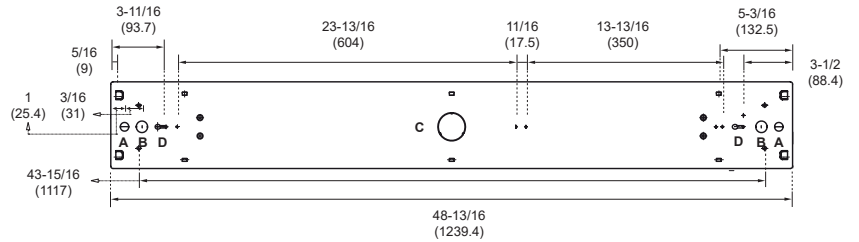


All dimensions are in inches (millimeters).

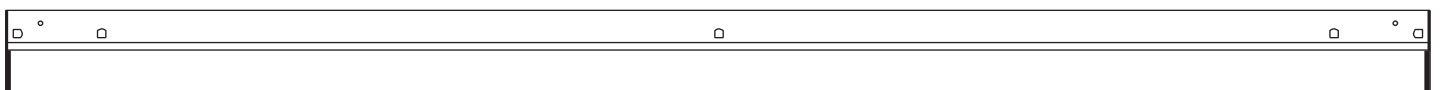
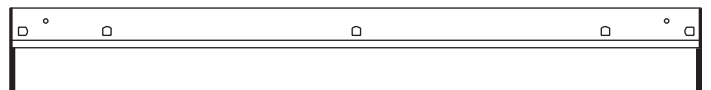
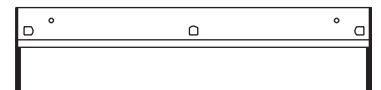
TOP VIEW



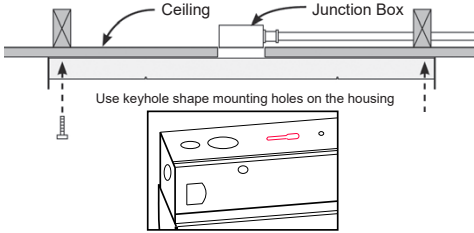
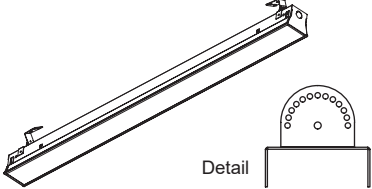
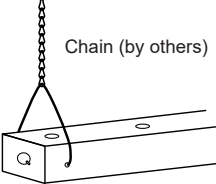
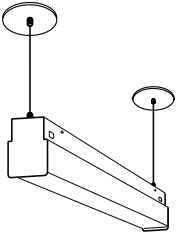
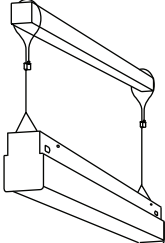
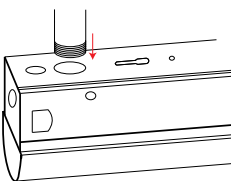

- A : 11/16 (17mm) Dia.
- B : 7/8 (22mm) Dia.
- C : 2 (50mm) Dia.
- D : 3/16 (5mm) Dia.



SIDE VIEW



SS LED

Mounting Options	Image	Ordering Code
Surface Mount (Ceiling)		(Blank)
With RB mounting bracket		RB
V-hook for Chain Mount		VH
Adjustable Cable Mount		ACxx xx = Length of Cable (48 or 96 inches)
Adjustable Aircraft Y-cable with Toggles		YCxx xx = Specify length in inches (60, 120, 180)
Stem Mount (w/ Canopy)		w/ Canopy HOLE A : 3/8" IPS STEM [Example : SH-3/8-xx(length)] HOLE B : 1/2" IPS STEM [Example : SH-1/2 xx(length)] xx = 18, 24, 36, 48 (inches)
T-Bar Surface Mount		IDS

* Cable / Stem mount provided with canopy set