

# CUBE4-PR

Project Name:	
Type:	



**APPLICATION**

The CUBE4 perimeter provides a glowing transition between ceiling and wall, perfect for multiple applications such as commercial, general office, banking, retail and educational environments.

**FEATURES:**

- Housing is formed by cold-rolled steel with highly reflective die-formed white painted steel reflector.
- Matte finish snap-in lens (.125" thickness) for easy installation.

**MOUNTING:**

- Compatible with most ceiling including T-bar, screw slot and drywall.

**ELECTRICAL:**

- High power factor electronic driver, operate from a 120 ~ 277 Vac input range, 50 / 60 Hz.
- Features included over voltage protection, surge, short circuit protection and over load protection.
- Power Factor: typical > 0.95, THD <20, meets Class1 or Class 2 circuit.
- 0-10V dimmable driver as standard.
- 0-10VDC dimming 1%~100%.
- Operating temperature: -4°F (-20°C) ~ 122°F (50°C).
- <ELCU-200>
- Guarantees emergency lighting remains ON or is turned on when power to the control device is lost.
- Interfaces with fire alarm panel or security system.
- "Watchdog" feature allows emergency loads to be controlled in tandem with normal power loads.
- UL listed for use in emergency circuits.

**LED:**

- High quality arrayLEDs.
- LM80
- Color Temperature: 2700/3000/3500/4000/5000 (K).
- Color Rendering Index: >80 (optional>90).
- Nominal Lamp Life: 100,000 hours.
- Reported L70 hours: +60,000 (55°C).

**FINISH:**

- Standard powder-coat textured white painted finish on exposed trim, consult factory for custom colors.
- Comes with snap-in acrylic lens as standard.

**LISTING:**

- UL / CUL listed.
- Listed to UL 1598 and UL 8750.
- UL listed for dry & damp location.
- CEC Compliant EM (please contact for more information)
- Assembled in USA (optional).
- BAA compliant (optional).
- BABA compliant (optional).<sup>21</sup>
- Trade Agreements Act compliant (optional).
- 5 years limited warranty.<sup>5</sup>
- 7 or 10 years limited warranty. (optional)<sup>5</sup>
- CCEA City of Chicago Environmental Air approved (optional).
- Bluetooth Mesh System available, please contact factory for more information.

**CONFIGURATIONS**

Series	Size	Model #	AC Input	Lumen Output (Down)	Lumen Efficiency
CUBE4	2'	18L	9.9W	1209.58 lm (100%)	122.18 lm/W
		27L	14.85W	1868.7 lm (100%)	125.84 lm/W
		36L	19.8W	2482.1 lm (100%)	125.36 lm/W
		48L	26.4W	3073.65 lm (100%)	116.4 lm/W
		54L	29.7W	3507.57 lm (100%)	118.10 lm/W
	3'	18L	14.85W	1814.3 lm (100%)	122.18 lm/W
		27L	22.27W	2802.45 lm (100%)	125.84 lm/W
		36L	29.7W	3723.19 lm (100%)	125.36 lm/W
		48L	39.6W	4610.48 lm (100%)	116.4 lm/W
		54L	44.55W	5261.3 lm (100%)	118.10 lm/W
	4'	18L	19.8W	2419.2 lm (100%)	122.18 lm/W
		27L	29.7W	3737.5 lm (100%)	125.84 lm/W
		36L	39.6W	4964.4 lm (100%)	125.36 lm/W
		48L	52.8W	6147.4 lm (100%)	116.4 lm/W
		54L	59.4W	7015.7 lm (100%)	118.10 lm/W
	5'	18L	24.75W	3023.9 lm (100%)	122.18 lm/W
		27L	37.13W	4672.4 lm (100%)	125.84 lm/W
		36L	49.5W	6205.3 lm (100%)	125.36 lm/W
		48L	66W	7682.4 lm (100%)	116.4 lm/W
		54L	74.25W	8768.9 lm (100%)	118.10 lm/W
	6'	18L	29.7W	3628.7 lm (100%)	122.18 lm/W
		27L	44.55W	5606.1 lm (100%)	125.84 lm/W
		36L	59.4W	7446.38 lm (100%)	125.36 lm/W
		48L	79.2W	9220.96 lm (100%)	116.4 lm/W
54L		89.1W	10522.71 lm (100%)	118.10 lm/W	
8'	18L	39.6W	4838.3 lm (100%)	122.18 lm/W	
	27L	59.4W	7474.89 lm (100%)	125.84 lm/W	
	36L	79.2W	9928.5 lm (100%)	125.36 lm/W	
	48L	105.6W	12294.6 lm (100%)	116.4 lm/W	
	54L	118.8W	14030.28 lm (100%)	118.10 lm/W	

**OUTPUT CURRENT**

		Bi-Level		Tri-Level (Default)	
SW1	SW2	Config Range	Default	Config Range	Default
Close	Open	10% - 70%	40%	10% - 70%	30%
Open	Close	10% - 70%	40%	10% - 70%	70%
Close	Close	100%	100%	100%	100%
Open	Open	0%	0%	0%	0%

**WEIGHT**



Item	lbs	kg
CUBE 4 2FT DRYWALL	9.49	4.31
CUBE 4 3FT DRYWALL	13.54	6.14
CUBE 4 4FT DRYWALL	16.89	7.66
CUBE 4 8FT DRYWALL	30.52	13.85
CUBE 4 4FT G1	15.15	6.87
CUBE 4 8FT G1	28.35	12.86
CUBE 4 HC90 DRYWALL	19.49	8.84

		Multiplier		
CCT		3000K	3500K	5000K
Down only		0.9642	0.9822	1.0357

# CUBE4-PR

ORDERING INFORMATION

EXAMPLE: CUBE4-PR-IND-4-D27L-40K-FT-UNV


MODEL	ROW <sup>1</sup>	SECTION <sup>2</sup>	LED Downlight (per/4ft section)	DISTRIBUTION	COLOR TEMP.	CRI
<b>CUBE4-PR-IND</b> (Individual Mount)	<b>xx'</b> Specify nominal overall row length in 1' increments	<b>2</b> 2' Length <b>3</b> 3' Length <b>4</b> 4' Length <b>5</b> 5' Length <b>6</b> 6' Length <b>8</b> 8' Length <sup>3</sup>	<b>D18L</b> 18W LED (734 lm/ft) <b>D27L</b> 27W LED (924 lm/ft) <b>D36L</b> 36W LED (991 lm/ft) <b>D48L</b> 48W LED (1 lm/ft) <b>D54L</b> 54W LED (1467 lm/ft) <b>Dxx</b> Custom lumen or watt: ___LM or ___W	<b>(Blank)</b> Flushed (Std.)  <b>ASY</b> Asymmetric 	<b>-27K</b> 2700K <sup>9</sup> <b>-30K</b> 3000K <b>-35K</b> 3500K <b>-40K</b> 4000K <b>-50K</b> 5000K	<b>(Blank)</b> 80+ CRI <b>C9</b> 90+ CRI <sup>8</sup>
<b>CUBE4-PR-CON</b> (Continuous Row Mount)						
<b>CUBE4-PR-CM</b> (Custom)	Must provide a sketch on the last page					

\* Number of circuit(s) should be determined by the customer prior to ordering the continuous run considering the AC input voltage and total run wattage.

\* Max up to 7015lm or 54W per 4ft.  
\* with TDM/ELV: offered to closest lm or W.

SHIELDING	MOUNTING TYPE	MOUNTING	VOLTAGE	EM SECTION <sup>4</sup>	FINISH
<b>(Blank)</b> Flushed Lens (Std.) <b>2RG</b> 2" regressed <b>4RG</b> 4" regressed	<b>(Blank)</b> Fixed (Std.) <b>NF</b> Non-flanged side for flushed wall installation.	<b>G1</b> 9/16", 15/16", 1" T-bar Ceiling Grid <sup>12</sup> <b>SS</b> 9/16" Screw Slot, 9/16" T-bar with Tegular tile ceiling <sup>12</sup> <b>FT</b> Standard 1/2" Flange <sup>13, 17</sup> <b>SF</b> Spackle Flange (Trimless) <sup>13, 17</sup>	<b>UNV</b> 120-277V <b>120</b> 120V <b>277</b> 277V <b>347</b> 347V <sup>14</sup>	<b>(Blank)</b> None EM <b>1SE</b> 1 Section <b>2SE</b> 2 Section <b>xSE</b> x Section	<b>(Blank)</b> Matte White RAL #9003 (Std.) <b>*BK</b> Black RAL #9011 <b>*SV</b> Silver (RAL #9022) <b>**CC</b> Custom Color <sup>14</sup> <b>*AMB</b> Anti-Microbial Coating (Matte Skye White)

\* Non-standard finish with extra charge.  
\*\* CC: additional charge & set up fee. Provide RAL# code.

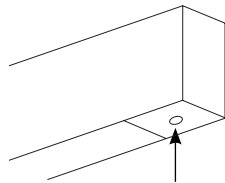
LED DRIVER	
<b>(Blank)</b> 0-10V dim to 1% (Std.) (dim both uplight and downlight simultaneously) <b>ES566</b> eldoLED SOLOdrive Natural Dimming to dark, 0-10V, 100% ~ 0.1% dim <b>SD40</b> 40% / 100% Bi-Level Step dim <b>SDXX</b> XX% / 100% Bi-Level Step dim (Specify XX : 10% ~ 70%) <b>PHSR</b> Philips Xitanium Sensor-Ready, Dali 5%~100% dim. <b>PHDL</b> Philips Xitanium DALI driver, Dim to 5% <b>TD30/70</b> 30% / 70% / 100% Tri-Level Step dim <b>TDXX/YY</b> XX% / YY% / 100% Tri-Level Step dim (Specify XX, YY : 10% ~ 70%)	<b>TDM</b> Triac Dim. (120V only) <b>ELV</b> ELV compatible (reverse-phase or trailing-edge), (120V only) <b>LDE1</b> Hi-lume 1% EcoSystem LED driver with Soft-on, Fade-to-Black dimming technology, 100% ~ 1% dim <b>DTO</b> 0-10V DIM-TO-OFF   <b>BLT</b> Bluetooth Mesh System (contact factory for more information)

OPTIONS	LIGHTING CONTROL SYSTEM
<b>HC90-11</b> 90° Horizontal Lit Connector, 1'x1' <sup>16</sup> <b>HC90-12</b> 90° Horizontal Lit Connector, 1'x2' <sup>16</sup> <b>HC90-21</b> 90° Horizontal Lit Connector, 2'x1' <sup>16</sup> <b>HC90-22</b> 90° Horizontal Lit Connector, 2'x2' <sup>16</sup> <b>HC135-22</b> 135° Horizontal Lit Connector, 2'x2' <sup>16</sup> <b>EMG8</b> 8W EM Battery Backup (CEC Compliant EM) <sup>6, 15</sup> <b>EMG15</b> 15W EM Battery Backup (CEC Compliant EM) <sup>6, 15</sup> <b>EMG20</b> 20W EM Battery Backup (CEC Compliant EM) <sup>6, 15</sup> <b>EMG25</b> 25W EM Battery Backup (CEC Compliant EM) <sup>6, 15</sup> <b>ELCU-200</b> Fail-to-on Emergency lighting, UL924 <sup>7</sup> <b>F1</b> Single fuse, must select 120V/277V/347V <b>F2</b> Double fuse, must select 208V/240V <b>ARRA</b> Assembled in USA <b>BAA</b> BAA(Buy American Act) compliant <b>BABA</b> BABA (Build America Buy America) compliant <sup>21</sup> <b>TAA</b> Trade Agreements Act compliant <b>O7W</b> Optional 7 Years Limited Warranty <sup>5</sup> <b>O10W</b> Optional 10 Years Limited Warranty <sup>5</sup> <b>ADPMS</b> Bluetooth Mesh Wireless Sensor. Occupancy / Daylight harvesting / 0-10V Dimming <sup>18, 19</sup> <b>AVI-DC-CS2-PIR</b> PIR occupancy / vacancy / daylight harvesting / bi-level sensor <b>E1F</b> End feed on one end (Pre-drilled hole for 1/2" fitting) <b>E2F</b> End feed on both ends (Pre-drilled holes for 1/2" fitting) <b>CCEA</b> Chicago Plenum <b>J-rail-x</b> J-rail for wall side (specify x = length of the fixture), field installation <sup>20</sup> <b>Z-rail-x</b> Z-rail for fixture side (specify x = length of the fixture), pre-installed <sup>20</sup>	<Lutron> <b>VIVE</b> Lutron Vive Bluetooth ready options, please contact factory. <b>ATHENA</b> Lutron Athena Bluetooth ready options, please contact factory.  <EasySense> <b>SNS200</b> EasySense Fixture-mount occupancy sensing, daylight harvesting and task tuning in one device (Must be ordered with PHSR driver) <sup>10, 11</sup> <b>RS-IR</b> IR dongle v2.0 for EasySense control  <Bluetooth> <b>AUTANI</b> Autani / Keilton Bluetooth control ready options. <b>CASAMBI</b> Casambi Bluetooth control ready options. <b>AVI-ON</b> Avi-On Bluetooth control ready options.  <small>* Please contact factory for Bluetooth control with sensor and other options</small>

# CUBE4-PR

**NOTES:**

1. Specify only when continuous row mount.
2. For continuous row only.
3. Comes with 1pc 8ft lens.
4. EM is installed in the last 4' of luminaire section. Separate section requires 2SE or specified. Must specify voltage, not available with 347V.
5. This limited warranty covers electrical parts only and does not apply to labor, equipment lease, or defect from improper installation or operation.
6. Contact factory for other emergency battery backup options. Not available with 347V.
7. Shipped separately.
8. Lumen per watt is approximately 15% fewer than standard CRI (80+).
9. Available with C9 (CRI 90+) only.
10. See NFC and IR manual in the separate attachment. If your phone is not compatible, please order "RS-IR" and follow the manual.
11. Refer to Advanced Grouping Datasheet for its default setting and compatible wireless switches.
12. Compatible with T-bar ceiling type.
13. Compatible with hard ceiling type.
14. Not available EM battery backup.
15. May be remote mounted up to 3ft configuration. Remote box by others.
16. Refer to separate CUBE4-HC90 spec sheet to find more information.
17. (2) 3/8" rod, by others, installation is standard (refer to the installation instructions for more details).
18. Only available with standard 0-10V LED driver.
19. Default setting from the factory is "occupancy enabled, Daylight disabled". To enable Daylight, disable occupancy and enable daylight in the field prior to installation.
20. Not available with -NF mounting type.
21. Not all configuration may be available. Please check with factory.



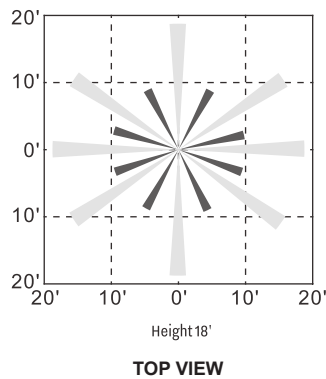
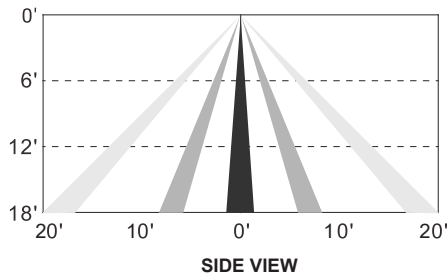
Sensor Plate



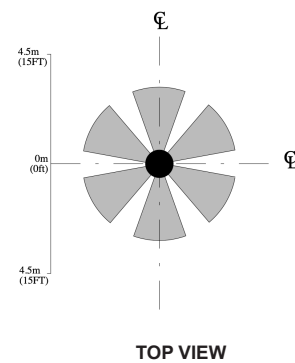
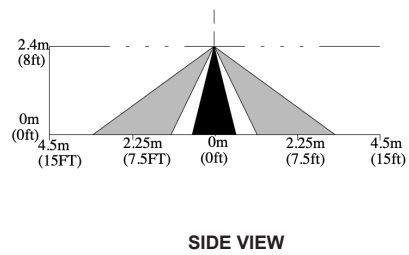
Lutron Vive Integral  
fixture control installation



EasySense  
fixture-mount installation



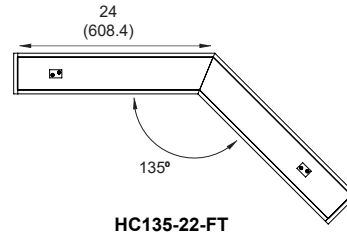
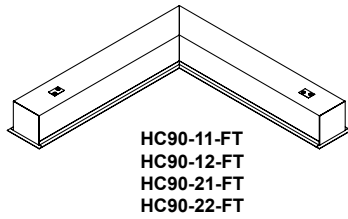
**ADPMS coverage pattern**



**AVI-DC-CS2-PIR coverage pattern**

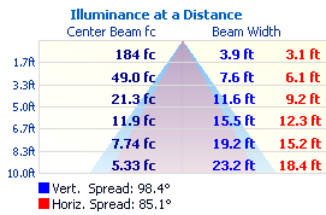
# CUBE4-PR

- LIT CORNER

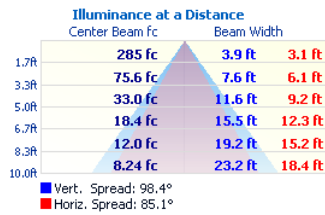


\* See a separate CUBE4-HC90 spec sheet to find more information.

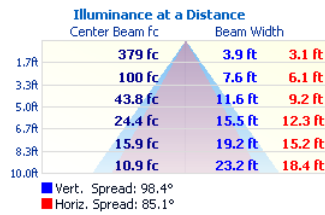
CUBE4-2-18L



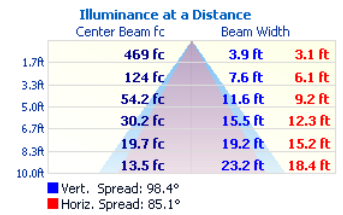
CUBE4-2-27L



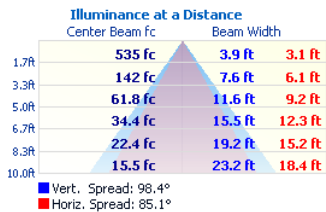
CUBE4-2-36L



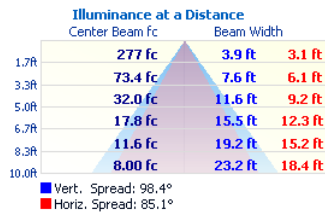
CUBE4-2-48L



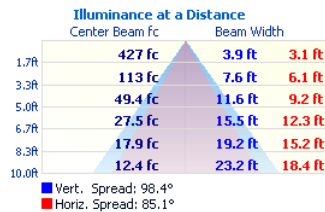
CUBE4-2-54L



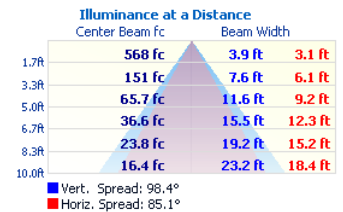
CUBE4-3-18L



CUBE4-3-27L

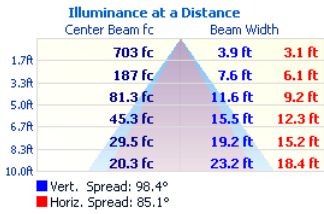


CUBE4-3-36L

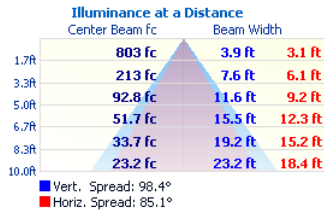


# CUBE4-PR

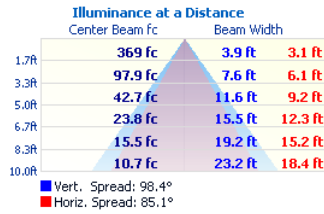
**CUBE4-3-48L**



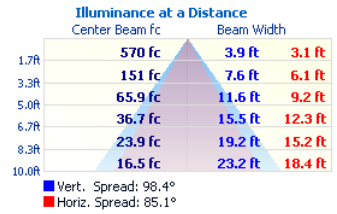
**CUBE4-3-54L**



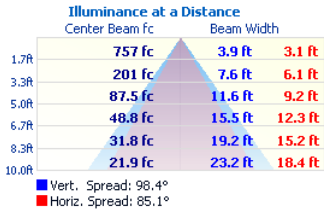
**CUBE4-4-18L**



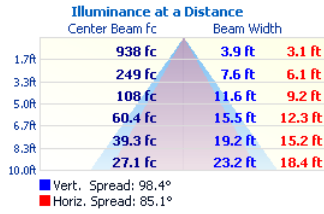
**CUBE4-4-27L**



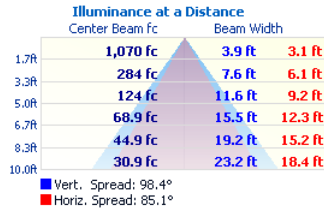
**CUBE4-4-36L**



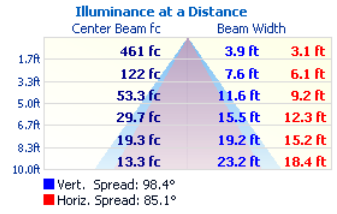
**CUBE4-4-48L**



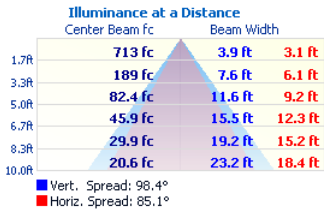
**CUBE4-4-54L**



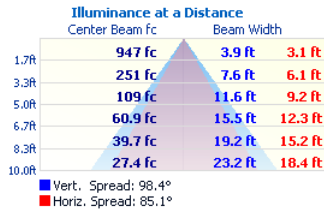
**CUBE4-5-18L**



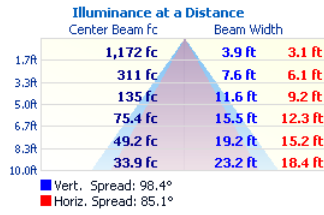
**CUBE4-5-27L**



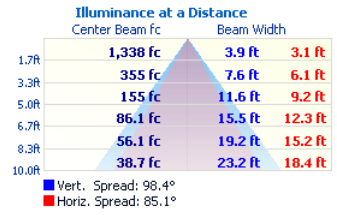
**CUBE4-5-36L**



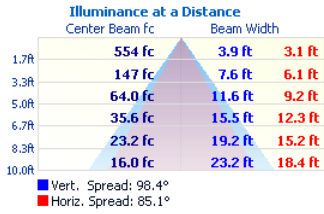
**CUBE4-5-48L**



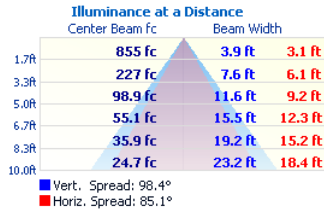
**CUBE4-5-54L**



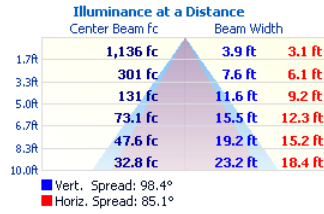
**CUBE4-6-18L**



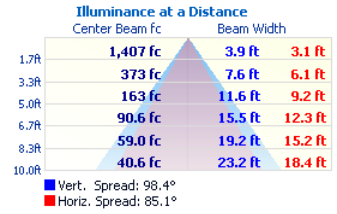
**CUBE4-6-27L**



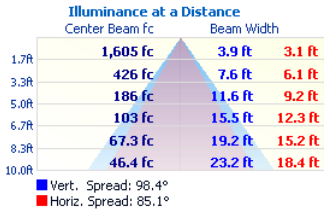
**CUBE4-6-36L**



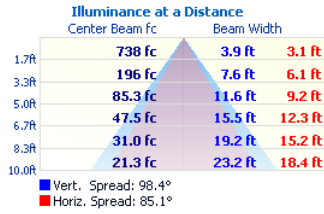
**CUBE4-6-48L**



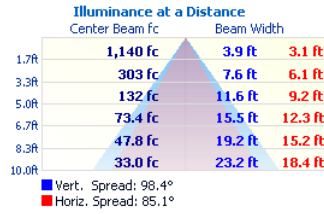
**CUBE4-6-54L**



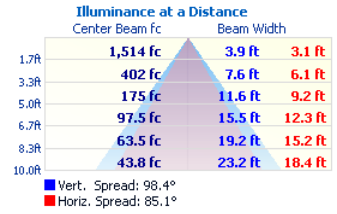
**CUBE4-8-18L**



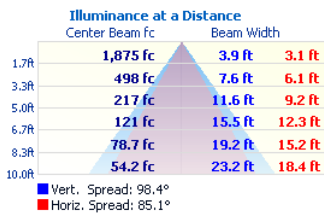
**CUBE4-8-27L**



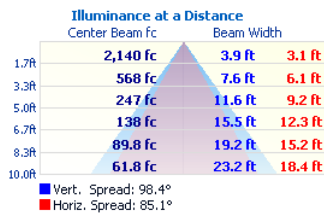
**CUBE4-8-36L**



**CUBE4-8-48L**



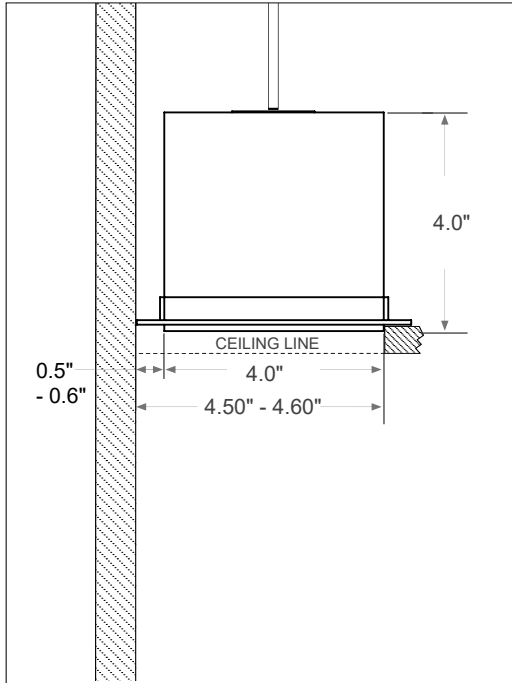
**CUBE4-8-54L**



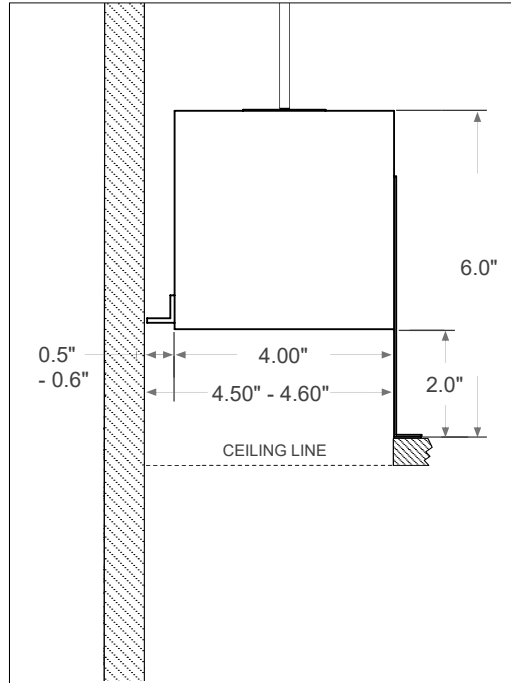
# CUBE4-PR

## -FT mounting dimensions & details

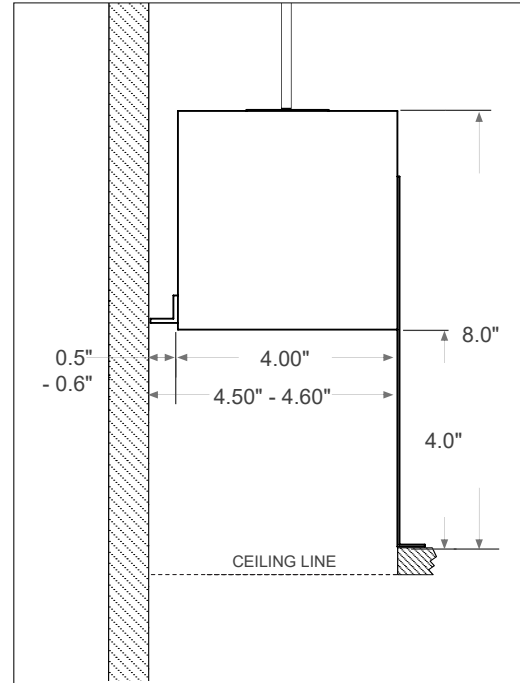
⚠ Luminaire must be installed prior to drywall.  
 \* 3/8" Rod by others.



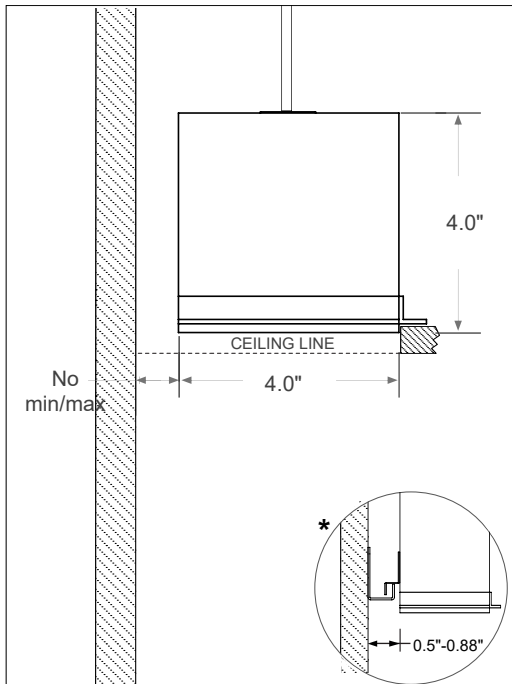
**Flushed Lens w/ Fixed\* mounting type (std.)**  
 (1/2" flange on both sides)



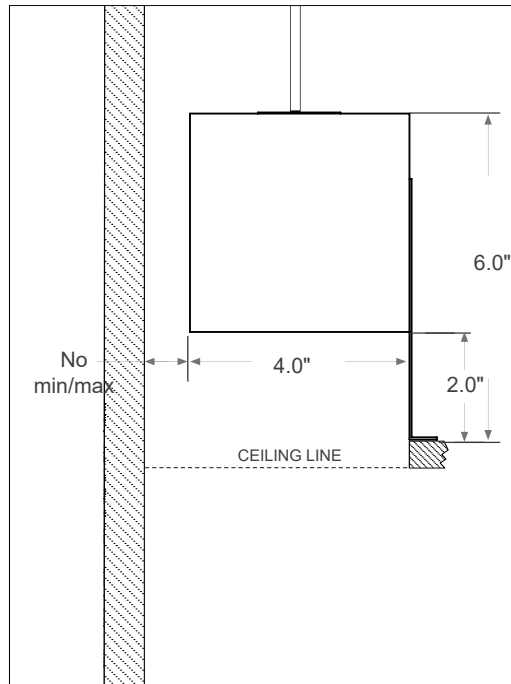
**2" Regressed Lens w/ Fixed\* mounting type**  
 (1/2" flange on both sides)



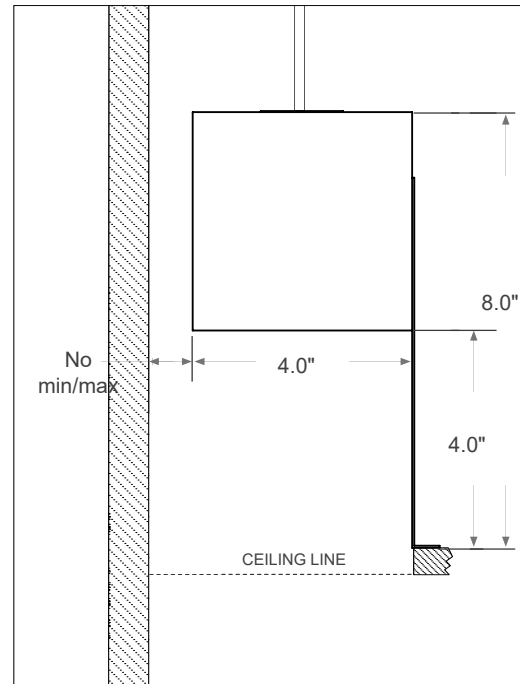
**4" Regressed Lens w/ Fixed\* mounting type**  
 (1/2" flange on both sides)



**Flushed Lens w/ NF\* mounting type (std.)**  
 (1/2" flange on one side)  
 \* J-rail & Z-rail can be ordered separately



**2" Regressed Lens w/ NF\* mounting type**  
 (1/2" flange on one side)  
 \* J-rail & Z-rail can be ordered separately

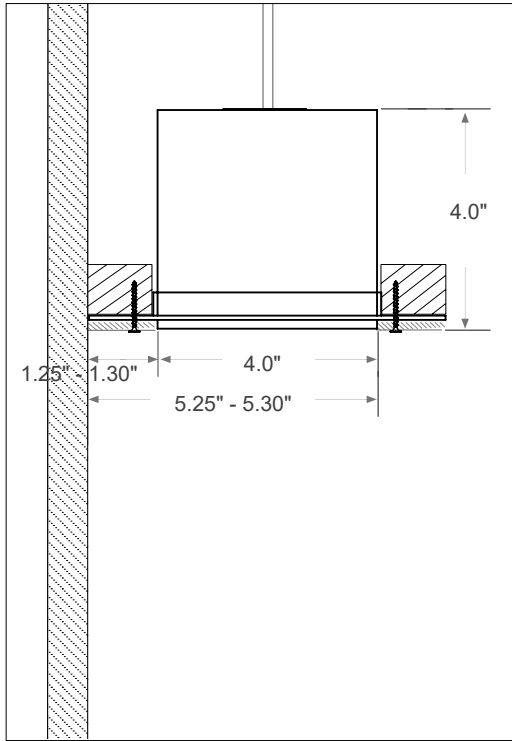


**4" Regressed Lens w/ NF\* mounting type**  
 (1/2" flange on one side)  
 \* J-rail & Z-rail can be ordered separately

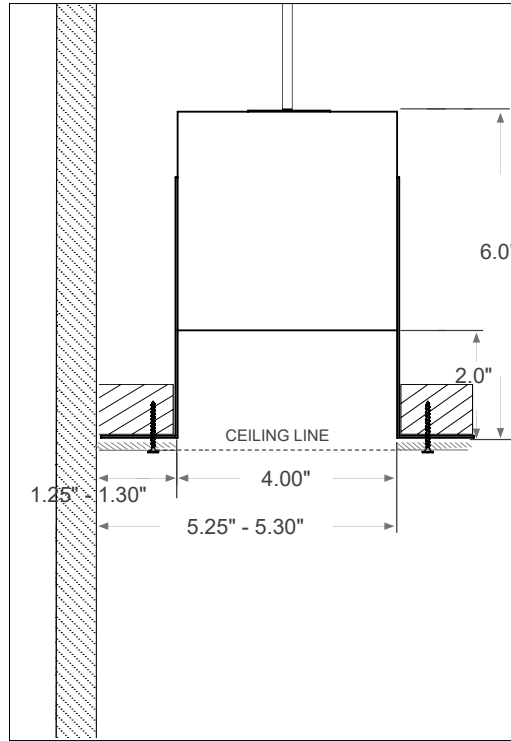
# CUBE4-PR

## -SF mounting dimensions & details

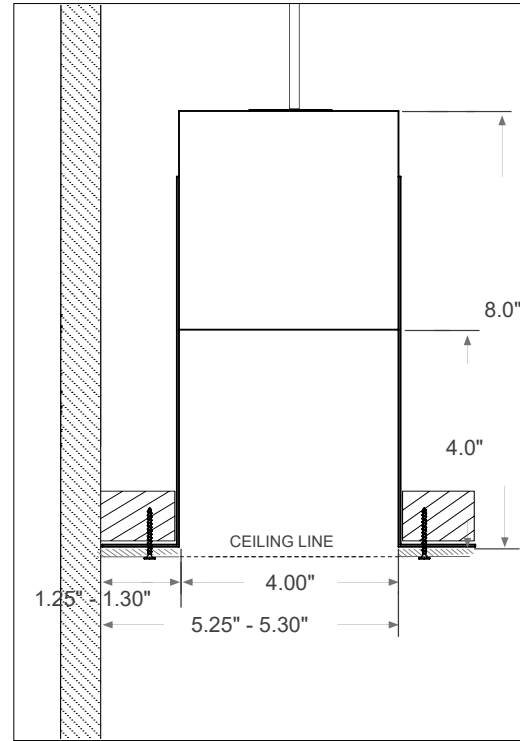
⚠ Luminaire must be installed prior to drywall.  
 \* 3/8" Rod by others.



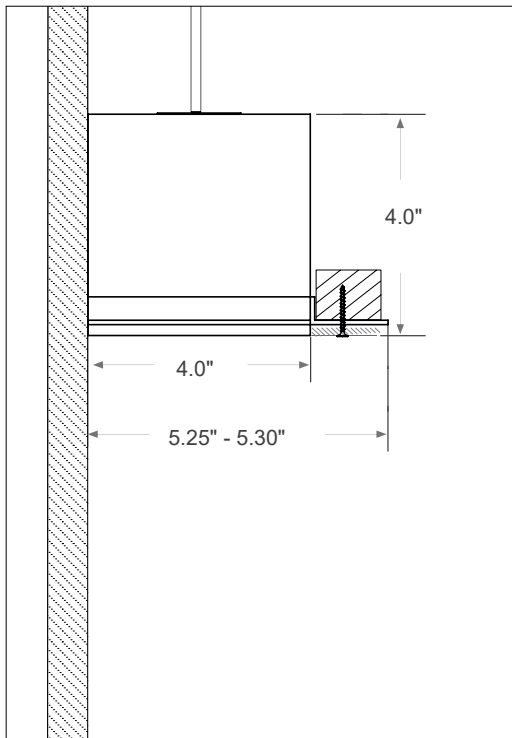
**Flushed Lens w/ Fixed\* mounting type (std.)**  
 (1-1/4" flange on both sides)



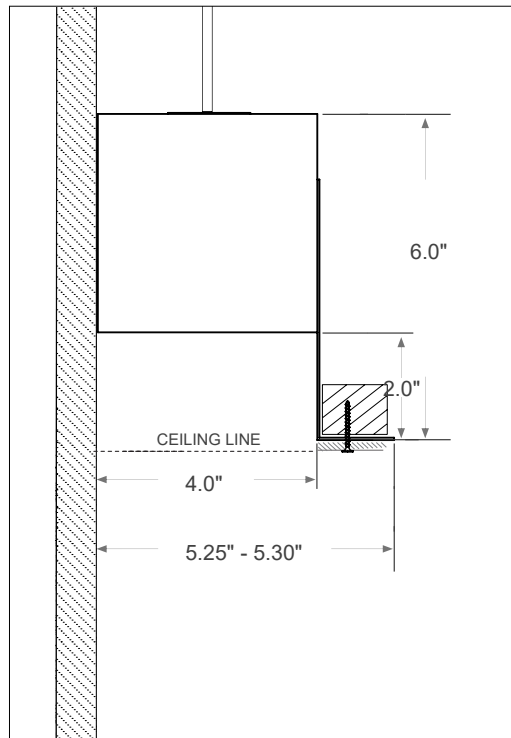
**2" Regressed Lens w/ Fixed\* mounting type**  
 (1-1/4" flange on both sides)



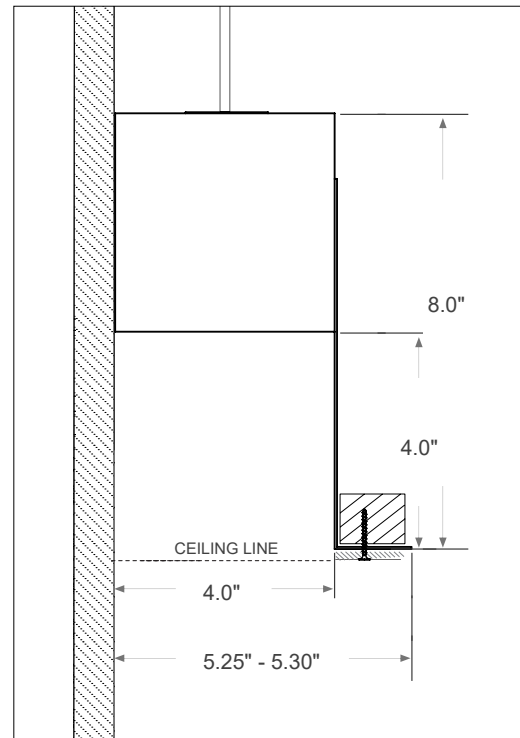
**4" Regressed Lens w/ Fixed\* mounting type**  
 (1-1/4" flange on both sides)



**Flushed Lens w/ NF\* mounting type (std.)**  
 (1-1/4" flange on one side)



**2" Regressed Lens w/ NF\* mounting type**  
 (1-1/4" flange on one side)

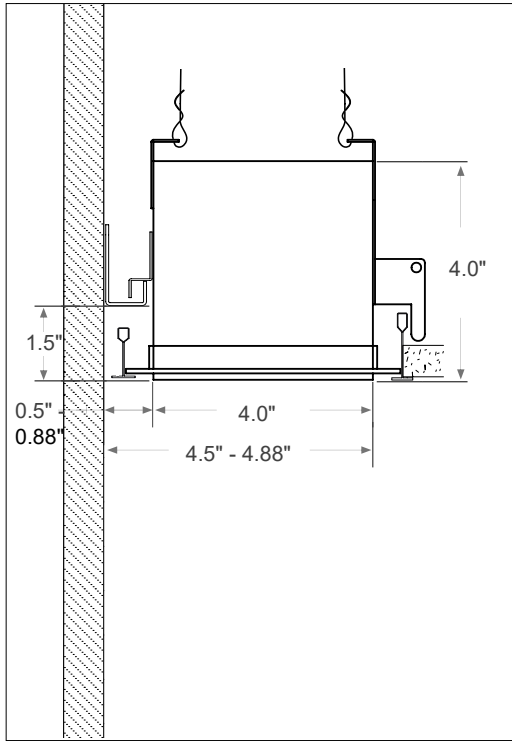


**4" Regressed Lens w/ NF\* mounting type**  
 (1-1/4" flange on one side)

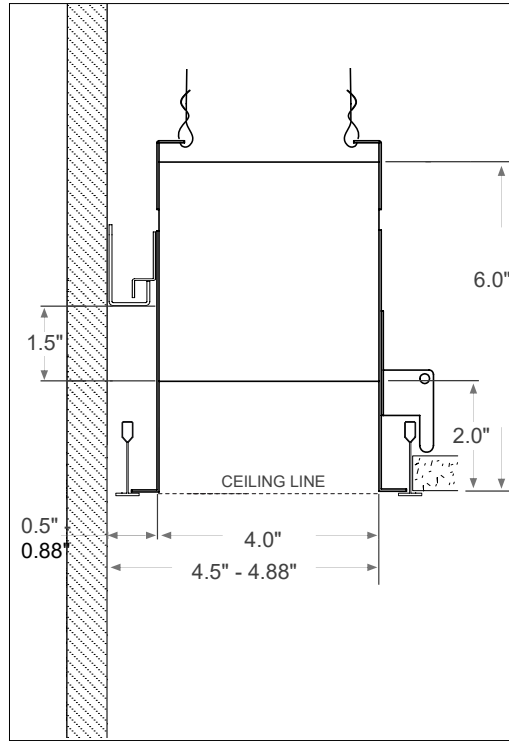
# CUBE4-PR

## -G1 mounting dimensions & details

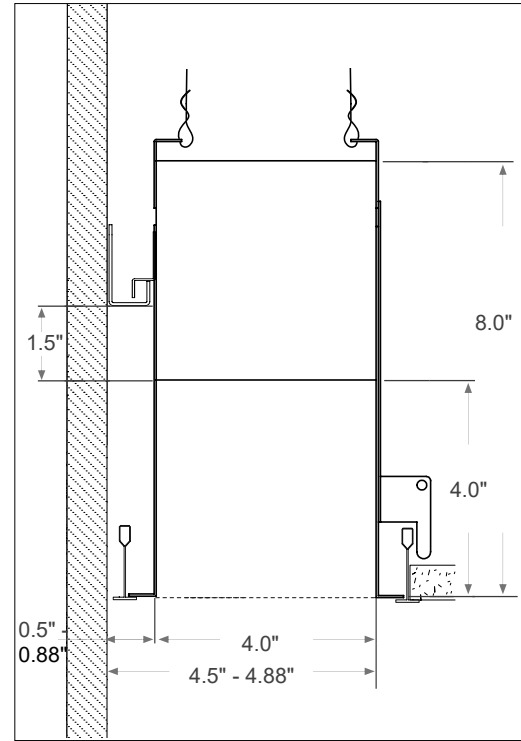
- ⚠ \* J-rail provided (ship separate), Z-rail pre-installed.
- \* Safety cable by others.



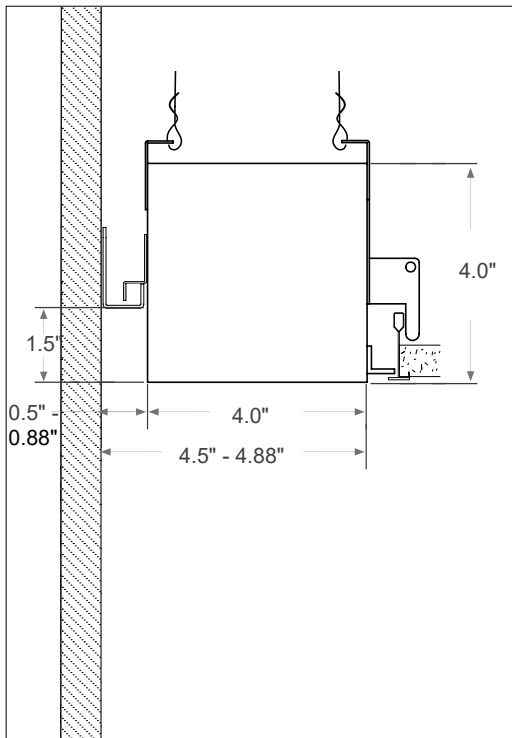
**Flushed Lens w/ Fixed\* mounting type (std.)**  
(1/2" flange on both sides)



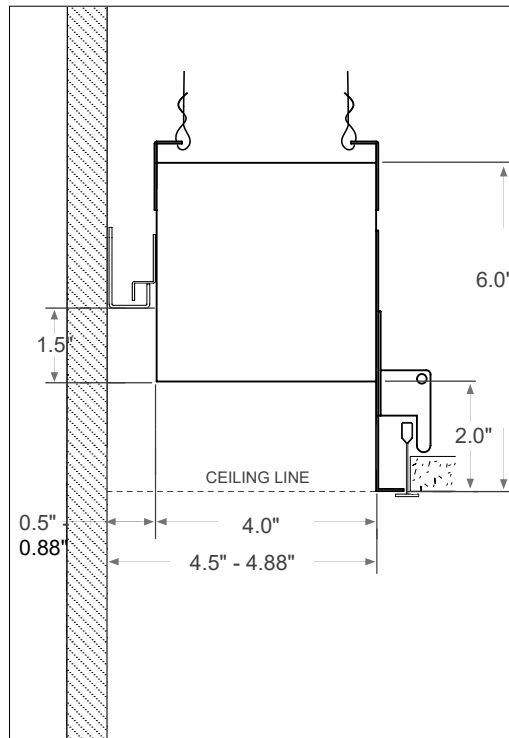
**2" Regressed Lens w/ Fixed\* mounting type**  
(1/2" flange on both sides)



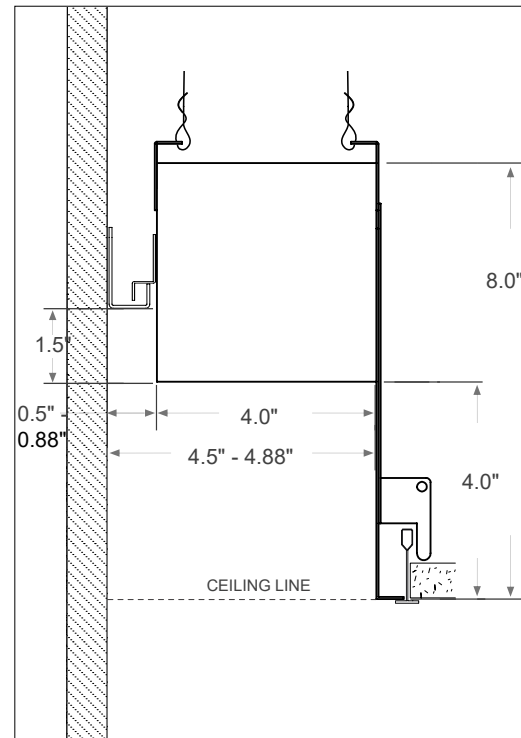
**4" Regressed Lens w/ Fixed\* mounting type**  
(1/2" flange on both sides)



**Flushed Lens w/ NF\* mounting type (std.)**  
(1/2" flange on one side)



**2" Regressed Lens w/ NF\* mounting type**  
(1/2" flange on one side)

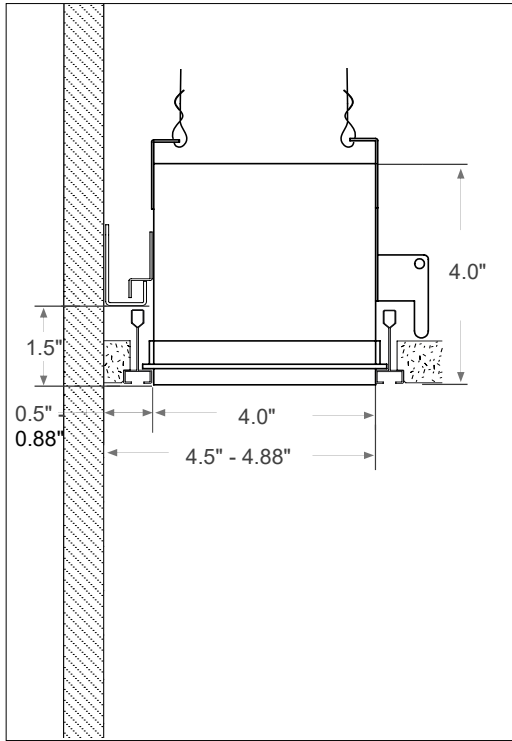


**4" Regressed Lens w/ NF\* mounting type**  
(1/2" flange on one side)

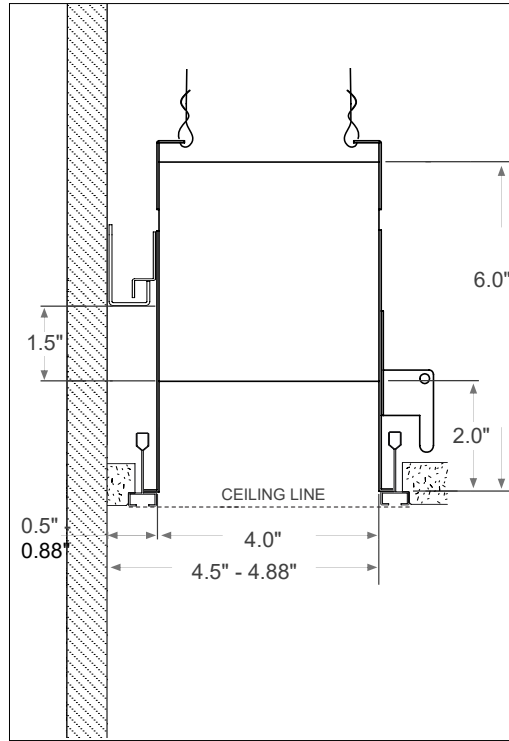
# CUBE4-PR

## -SS mounting dimensions & details

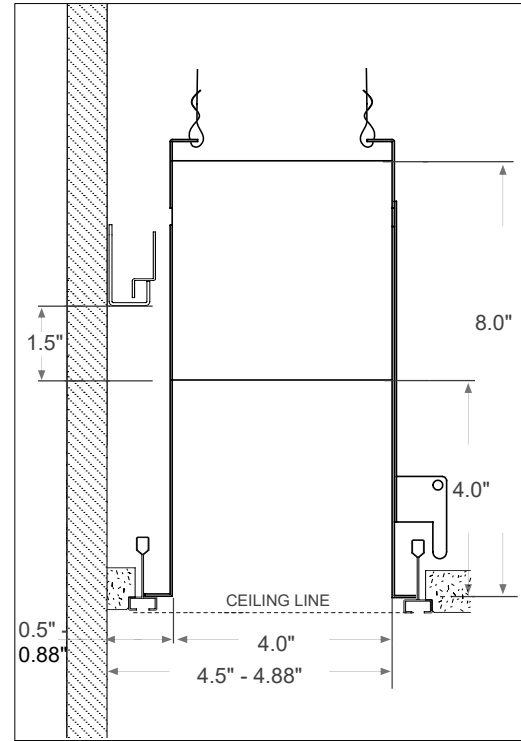
- ⚠ \* J-rail provided (ship separate), Z-rail pre-installed.
- \* Safety cable by others.



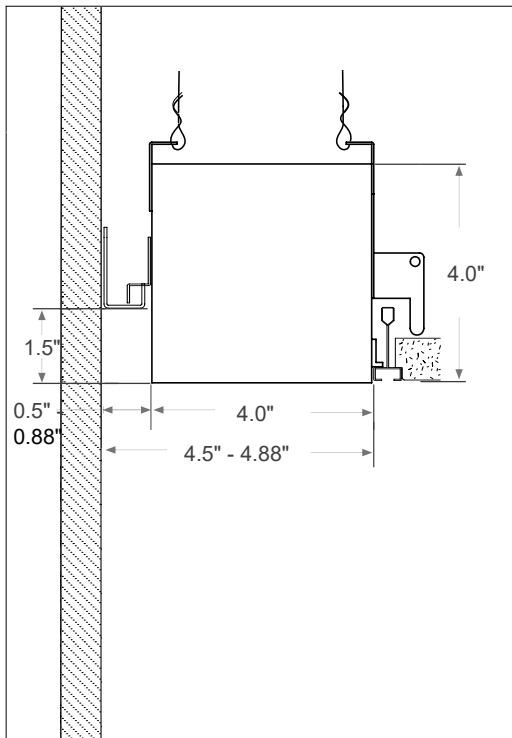
**Flushed Lens w/ Fixed\* mounting type (std.)**  
(1/2" flange on both sides)



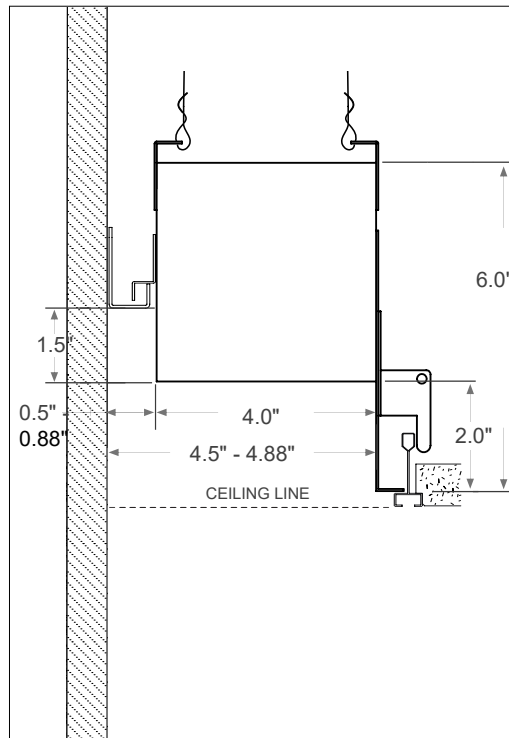
**2" Regressed Lens w/ Fixed\* mounting type**  
(1/2" flange on both sides)



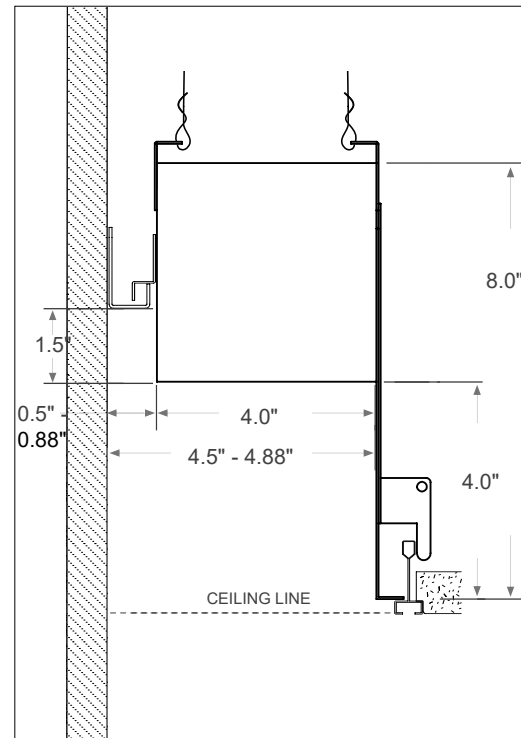
**4" Regressed Lens w/ Fixed\* mounting type**  
(1/2" flange on both sides)



**Flushed Lens w/ NF\* mounting type (std.)**  
(1/2" flange on one side)



**2" Regressed Lens w/ NF\* mounting type**  
(1/2" flange on one side)



**4" Regressed Lens w/ NF\* mounting type**  
(1/2" flange on one side)

# CUBE4-PR

**COMPATIBLE DIMMER SWITCH (TABLE 1)**

Model #	Brand	Compatible Dimmer Switch	
(Blank)	-	<Leviton>	IP710-LFZ
		<Lutron>	Visit <a href="http://www.lutron.com/advance">www.lutron.com/advance</a> for a list of dimmers (Mark VII) that will work with this driver.
ES566	eldoLED SOLOdrive	<Busch-Jaeger>	2112U-101
		<Jung>	240-10
		<Leviton>	IllumaTech - IP710-DLX
		<Lightoller Controls>	ZP600FAM120
		<Merten>	5729
		<Pass & Seymour>	CD4FB-W
		<Wattstopper>	DCLV1
		<Sensor Switch>	nIO EZ
		<Synergy>	ISD BC
		<ABB>	SD/S 2.16.1
		<Lutron>	Nova T: NTFTV Diva - DVTv-xx, NFTV GRAFIK Eye: GRX-TVI w GRX3503 Energy Savr Node: QSN-4T16-S TVM2 Module
<Crestron>	GLX-DIMFLV8, GLXP-DIMFLV8, GLPAC-DIMFLV4-*, GLPAC-DIMFLV8-*, GLPP-DIMFLVEX-PM, GLPP-1DIMFLV2EX-PM, GLPP-1DIMFLV3EX-PM, DIN-AO8, DIN-4DIMFLV4, CLS-EXP-DIMFLV, CLCI-1DIMFLV2EX		
LDE1	Lutron Hi-lume 1% EcoSystem	<Lutron>	PowPak Dimming Modules: RMJ-ECO32-DV-B, FCJ/FCJS-ECO <sup>1,2</sup> Energi Savr Node (120V only): QSN-1EC0-S, QSN-2ECO-S GRAFIK Eye QS/Homeworks QS control unit (120V only): QSGRJ- _E(wireless) QSGR- _E Quantum Hub (120V only): QP2- _ _2C/4C/6C/8C Homeworks QS/myRoom Plus power module (120V only): LQSE-2ECO-D
PHSR <sup>3</sup>	Philips Xitanium Sensor-Ready	<Illumra>	<u>Single Rocker Self-Powered Light Switch (on/off, dim-up/down)</u> Illumra# ZBT-S1AWH Digi-Key# 1082-1033-ND <u>Dual Rocker Self-Powered Light Switch (on/off, dim-up/down, scene1,2)</u> Illumra# ZBT-S2AWH Digi-Key# 1082-1034-ND
TDM	KEYSTONE	<Lutron>	Diva DV-600P, SkyLark S-600P, Ariadni AY-600P, Ariadni TG-603P, Maestro MA-600 (Digital), Diva CFL/LED DVCL-153P, Satin Colors DVSC-600P-SW
		<Leviton>	6641, IllumaTech IPI06-1LX, ToggleTouch TGI06-1LW (Digital)
ELV	KEYSTONE	<Lutron>	MAELV-600BL (Digital), DVELV-300P, SkyLark SELV-300P
DTO	Philips Xitanium Gen.2 Philips Xitanium Sensor-Ready	<Lutron>	Nova T: #NTSTV-DV <a href="http://www.lutron.com/TechnicalDocumentLibrary/NovaTB.pdf">http://www.lutron.com/TechnicalDocumentLibrary/NovaTB.pdf</a> See page13.

**NOTES:**

1. All devices connected to one FCJ/FCJS-ECO will be controlled together. Devices will dim to the same level as the result of a control command. For more detail on adjusting low-end light level refer to Application Note#556 at [www.lutron.com](http://www.lutron.com).
2. For the Line/Hot (L/H) terminal on the driver, it is preferred not to use the switched hot (red) wire from the control but rather the hot wire directly from the power source.
3. Recommended for EasySense System.

# ARCHITECTURAL LINEAR PERIMETER

## CUBE4 LIT CONNECTOR PATTERNS

The lit connector system allows continuous illumination all the way through the corner section.

**Instruction:**

- Please provide sketches illustrating corner types, overall dimensions including corner dimensions (based on wall-to-wall dimensions) and power locations required.
- HC90 connectors have 90 degree corners (overall, outside dimension).

