

BLD6

Project Name:	
Type:	



APPLICATION

LED bollard light provide high light efficiency. Energy saving replacement of Metal Halide and High pressure sodium lamps with a driver inside. It is designed to work in building perimeter areas and public spaces completing a wide variety of architectural styles.

FEATURES:

- Extruded aluminum tube provides strength and durability as well as protects and conceals the component wiring.
- Corrosion and vandal resistant.
- UV stabilized Dark bronze powder-coated finish.
- Aluminum reflector designed to reduce glare and produce even distribution.
- Wattage and CCT field selectable.

LENS:

- Clear UV resistant polycarbonate lens for optimal light transmission and protects the light engine compartment from harsh environments.

MOUNTING:

- Ground mount.
- Template and anchor bolt are provided.

LED:

- High efficacy LED.
- Color Temperature: 3000/4000/5000 (K)
- Color rendering index: >80
- Life span: >50,000 hours
- 70% Lumen maintenance at 60,000 hours.

ELECTRICAL:

- Input voltage: 100-277Vac., 50/60Hz
- 1-10V dimming standard.
- 4Kv surge standard.
- Operating Temperature: -40°F (-40°C) ~ 104°F (40°C)
- Driver is mounted under the LED compartment for easy replacement and to protect from water that may accumulate in the base of the bollard. Torx security screws secure the LED compartment to the base to deter vandalism.
- Quick disconnect located near the terminal block for simple connection to the LED driver.

LISTING:

- UL/cUL listed.
- RoHS compliant.
- Wet location listed.
- DLC listed. ¹
- 5 years limited warranty.
- BAA compliant. (optional)

CONFIGURATIONS

MODEL	Input Watts	Lumen Output (3000K)	Lumen Efficiency (3000K)	Lumen Output (4000K)	Lumen Efficiency (4000K)	Lumen Output (5000K)	Lumen Efficiency (5000K)	BUG Rating
BLD6-3S	10W	1201 lm	120.14 lm/W	1262 lm	126.21 lm/W	1216 lm	121.68 lm/W	B1-U3-G2
	20W	2402 lm		2524 lm		2433 lm		
	30W	3604 lm		3786 lm		3650 lm		

BLD6

ORDERING INFORMATION

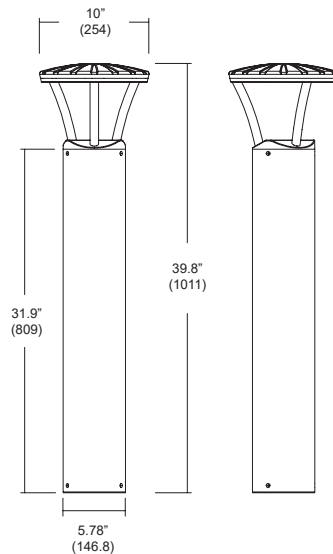
EXAMPLE: BLD6-20LED-40K-UNV-BZ

MODEL	LED		COLOR TEMP.		VOLTAGE		DISTRIBUTION		FINISH	
BLD6	3S	30/20/10W Field Selectable	3T	3000/4000/5000K Field Selectable	UNV	120-277V	(Blank)	Type III (Std.)	BZ	Dark Bronze RAL#8019 (Std.)
									*BK	Black RAL#9011
									*WH	White RAL#9016
									*GR	Gray RAL#7045
									**CC	Custom Color
										* Non-standard finish with extra charge. ** Additional charge & set up fee.

OPTIONS	
ZINC	Zinc coating
BAA	BAA(Buy American Act) compliant
SP10	10KV/10KA Surge Protection
CASAMBI	Contact factory for CASAMBI READY options

NOTES:

- DesignLights Consortium (DLC) qualified product. Not all versions of this product may be DLC qualified. Please check the DLC Qualified Products List at www.designlights.org/QPL to confirm which versions are qualified.



All dimensions are in inches (millimeters).

BLD6

Mounting Details

