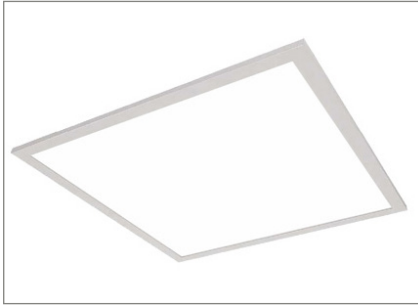


LSP

Project Name:	
Type:	



CASAMBI

APPLICATION

The design of the panels produces even, consistent shadowless light. The LEDs enable long life, high lumen maintenance, and are low maintenance and constructed without hazardous materials. The LED panel series is designed to lay in drop ceilings in office, schools, and healthcare applications.

FEATURES:

- The external driver ensures steady performance and long lifetime.
- Aluminum with white powder coated finish.
- Slim profile and low weight design.
- White finished.
- Impact resistant frosted lens.

LED:

- Color Temperature: 3500/4000 (K).
- LED Module: High efficiency up to 125 LPW.
- CRI: Ra>80.
- Service life: Greater than 100,000 hours minimizing maintenance frequency.
- LM79.
- LM80.

ELECTRICAL:

- High power factor electronic driver, operate from a 120~277 Vac input range, 50 / 60 Hz.
- Short circuit protection.
- 0-10V Dimming. (1%-100%, 5%-100%.)
- To find an approved dimmer switch, please see table1.
- Power Factor: >0.9
- THD: <20%
- Ambient Operating Temperature: -4°F (-20°C) ~ 122°F (50°C).
- <ELCU-200>
- Guarantees emergency lighting remains ON or is turned on when power to the control device is lost.
- Interfaces with fire alarm panel or security system.
- "Watchdog" feature allows emergency loads to be controlled in tandem with normal power loads.
- UL listed for use in emergency circuits.

LISTING:

- UL listed.
- UL 1598 suitable for damp locations, Type IC.
- UL 8750 LED equipment in lighting products.
- 5 year warranty.
- Suitable for damp location, Type IC.
- RoHS.
- 100,000+ hours per L70 TM-21 at 158°F (70°C).
- ARRA compliant (optional).
- BAA compliant (optional).
- Bluetooth Mesh System available, please contact factory for more information.

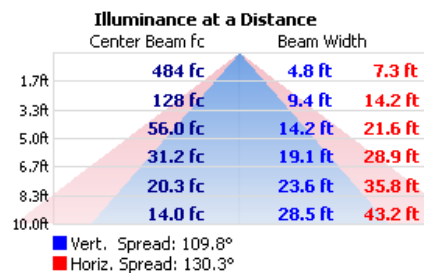
CONFIGURATIONS

Size	LED Watts	Lumen Output	Lumen Efficiency
2' x 2'	36W	4500 lm	125 lm/W
2' x 4'	46W	5450 lm	

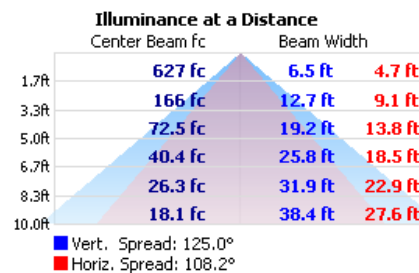
CUSTOMIZE

Size	Max LED Watts
2' x 2'	36W
2' x 4'	65W

LSP-22-36LED



LSP-24-46LED



ORDERING INFORMATION

EXAMPLE: LSP-22-36LED-40K-UNV-DM

MODEL	SIZE		LED		COLOR TEMP.		MOUNTING			VOLTAGE	
LSP	22	2' x 2'	36LED	36W LED	-35K -40K	3500K 4000K	(Blank) FK SMK AC66	Recessed T-bar (9/16" and 15/16" standard)	UNV	120-277V	
	24	2' x 4'	46LED	46W LED							

* Contact factory for custom wattage or lumen requirement.

LED DRIVER		DIFFUSER		OPTIONS	
DM	0-10V 5%~100% (Std.)	(Blank) A12	Satin White (Std.) Pattern#12 prismatic acrylic lens with overlay	EMI15	1875 LUMEN EM Battery Backup
DM1	0-10V 1%~100%			EMI25	3125 LUMEN EM Battery Backup
SD40	40% / 100% Bi-Level Step dim			ELCU-200	Fail-to-on Emergency lighting, UL924 ²
SDXX	XX% / 100% Bi-Level Step dim (Specify XX : 10% ~ 70%)			GTD	Bodine Generator Transfer Device
PHSR	Philips Xitanium Sensor-Ready, Dali 5%~100% dim.			GTD10DIM	Bodine Generator Transfer Device (0-10VDC Dimmer Override)
TDM	Triac Dim. (120V only)			AMB	Anti-Microbial Coating (Matte Skye White)
TD30/70	30% / 70% / 100% Tri-Level Step dim			HC403	Microwave bi-level Occupancy Sensor, adjustable via DIP switch ^{4,5}
TDXX/YY	XX% / YY% / 100% Tri-Level Step dim (Specify XX, YY : 10% ~ 70%)			HRC-05	Remote control for HC403 sensor
LDE5	5-Series EcoSystem LED driver, 100% ~ 5% dim			SP10	Integrated 10kV/10kA surge protection
LDE1	Hi-lume 1% EcoSystem LED driver with Soft-on, Fade-to-Black dimming technology, 100% ~ 1% dim			ARRA	Assembled in USA for Buy American Act
ELV	ELV compatible (reverse-phase or trailing-edge), (120V only)			BAA	BAA(Buy American Act) and BABA(Build America Buy America) compliant
LTEA2W	Hi-lume 1% 2-wire LED driver (120V forward phase only)				
BLT	Bluetooth Mesh System (contact factory for more information)				

LIGHTING CONTROL SYSTEM		FRAME	
VRF	<Lutron Vive System Enabled> Vive Integral fixture control (RF only), (Must be ordered with EcoSystem drivers or PHSR)	(Blank) CC	White Custom Color
FCJS0	Vive Attached fixture control (RF only for 0-10V drivers)		
FCJSE	Vive Attached fixture control (RF only for Lutron EcoSystem drivers)		
FCJS0EM	UL 924 Emergency PowPak wireless fixture control for 0-10V drivers		
FCJSEEM	UL 924 Emergency PowPak wireless fixture control for Ecosystem drivers		
RMJS8T	Vive Attached fixture control (RF only for 0-10V drivers), 0-10V control module 8A switched controls up to 60mA.		
RMJS8TEM	UL924 Emergency PowPak wireless fixture control for RMJS8T		
RMJSECO32	Vive Attached fixture control (RF only for EcoSystem drivers), ECO control module		
PPA102S	<Bluetooth> Bluetooth Powerpack (Consult factory for installation location)		
CASAMBI	Contact factory for CASAMBI READY options		

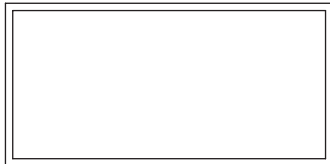
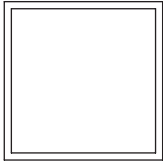
* Available custom color (RAL)
Please provide us with the RAL number.
* Non-standard finish with extra charge.

NOTES:

- Supplied in separate boxes, field installed.
- Shipped separately.
- The whole cable length from ceiling to fixture is 66".
- See Table 2 to find factory setting.
- Depth increased up to 3".

LSP

<Standard>



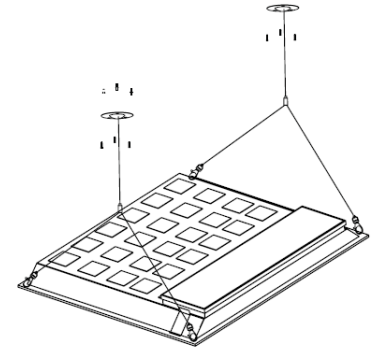
Specifications: LSP 2'x2'

Length: 23-3/4 (603)
 Width: 23-3/4 (603)
 Depth: 1-5/8 (41)
 Depth with Junction box: 2-7/8 (74)
 * Depth increased up to 3" with HC403 option.
 * Depth increased up to 5.2" (132) with EM option.

Specifications: LSP 2'x4'

Length: 47-5/8 (1209)
 Width: 23-3/4 (603)
 Depth: 1-5/8 (41)
 Depth with Junction box: 2-7/8 (74)
 * Depth increased up to 3" with HC403 option.
 * Depth increased up to 5.2" (132) with EM option.

All dimensions are in inches (millimeters).



Pendant Mounting

APPROVED DIMMER SWITCH (Table 1)

Model#	Brand	Manufacturer	Manufacturer Part #
DM (0-10V 5%~100%)	-	<Leviton>	IllumaTech IP7 series
		<Lutron>	Visit www.lutron.com/advance for a list of dimmers (Mark VII) that will work with this driver
		<Philips>	Sunrise: SR1200ZTUNV
		<Easeic>	EID110U
DM1 (0-10V 1%~100%)	-	<Lutron>	Nova: NFTV- dimmer plus PP-DV relay pack(s) Nova T: NTSTV-DV-dimmer Diva: DVTV-dimmer, DVSCTV-dimmer, plus PP-DV relay pack(s), DVSTV-dimmer, DVSCSTV-dimmer GRAFIK Eye QS: QSGRJ-XP, plus GRX-TVI 0-10V interface GRAFIK Eye QS with EcoSystem: QSGRJ-XE, QSGR-XE, plus GRX-TVI 0-10V interface PowPak: RMJ-5T
		<Leviton>	Leviton: IP710-LFZ
		<Philips>	Sunrise: SR1200ZTUNV
		<Lutron>	Divya DV-600P, SkyLark S-600P, Ariadni AY-600P, Ariadni TG-603P, Maestro MA-600 (Digital), Diva CFL/LED DVCL-153P, Satin Colors DVSC-600P-SW
TDM	KEYSTONE	<Lutron>	6641, IllumaTech IP106-1LX, ToggleTouch TGI06-1LW (Digital)
ELV	KEYSTONE	<Lutron>	MAELV-600BL (Digital), DVELV-300P, SkyLark SELV-300P
LDE1	Lutron Hi-Lume 1% EcoSystem	<Lutron>	PowPak Dimming Modules: RMJ-ECO32-DV-B, FCJ/FCJS-ECO Energi Savr Node (120V only): QSN-1ECO-S, QSN-2ECO-S GRAFIK Eye QS/Homeworks QS control unit (120V only): QSGRJ-_E(wireless) QSGRJ-_E Quantum Hub (120V only): QP2-_2C/4C/6C/8C Homeworks QS/myRoom Plus power module (120V only): LQSE-2ECO-D
LDE5	Lutron 5-Series EcoSystem		
LTEA2W	Lutron Hi-Lume 2-wire (120V forward voltage only)	<Lutron>	Visit http://www.lutron.com/TechnicalDocumentLibrary/369543_ENG.pdf for a list of compatible dimmer switches.
PHSR 1	Philips Xitanium Sensor-Ready	<Illuma>	<u>Single Rocker Self-Powered Light Switch (on/off, dim-up/down)</u> Illuma# ZBT-S1AWH Digi-Key# 1082-1033-ND <u>Dual Rocker Self-Powered Light Switch (on/off, dim-up/down, scene1,2)</u> Illuma# ZBT-S2AWH Digi-Key# 1082-1034-ND

* If you want other specific kind, please contact us.

1. Recommended for EasySense System.

HC403 FACTORY SETTING (TABLE 2)

Detection Area	100%
Hold-time	5 sec
Daylight sensor	Disable
Stand-by period (tri-level control)	10 sec
Stand-by dimming level	10%

* See a separate attachment to find more setting options.