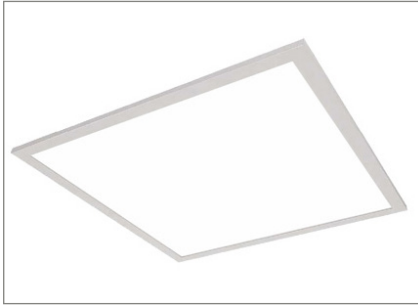


# LSP

Project Name:	
Type:	



## CASAMBI

### APPLICATION

The design of the panels produces even, consistent shadowless light. The LEDs enable long life, high lumen maintenance, and are low maintenance and constructed without hazardous materials. The LED panel series is designed to lay in drop ceilings in office, schools, and healthcare applications.

### FEATURES:

- The external driver ensures steady performance and long lifetime.
- Aluminum with white powder coated finish.
- Slim profile and low weight design.
- White finished.
- Impact resistant frosted lens.

### LED:

- Color Temperature: 3500/4000 (K).
- LED Module: High efficiency up to 125 LPW.
- CRI: Ra>80.
- Service life: Greater than 100,000 hours minimizing maintenance frequency.
- LM79.
- LM80.

### ELECTRICAL:

- High power factor electronic driver, operate from a 120~277 Vac input range, 50 / 60 Hz.
- Short circuit protection.
- 0-10V Dimming. (1%-100%, 5%-100%.)
- To find an approved dimmer switch, please see table1.
- Power Factor: >0.9
- THD: <20%
- Ambient Operating Temperature: -4°F (-20°C) ~ 122°F (50°C).
- <ELCU-200>
- Guarantees emergency lighting remains ON or is turned on when power to the control device is lost.
- Interfaces with fire alarm panel or security system.
- "Watchdog" feature allows emergency loads to be controlled in tandem with normal power loads.
- UL listed for use in emergency circuits.

### LISTING:

- UL listed.
- UL 1598 suitable for damp locations, Type IC.
- UL 8750 LED equipment in lighting products.
- 5 year warranty.
- Suitable for damp location, Type IC.
- RoHS.
- 100,000+ hours per L70 TM-21 at 158°F (70°C).
- ARRA compliant (optional).
- BAA compliant (optional).
- Bluetooth Mesh System available, please contact factory for more information.

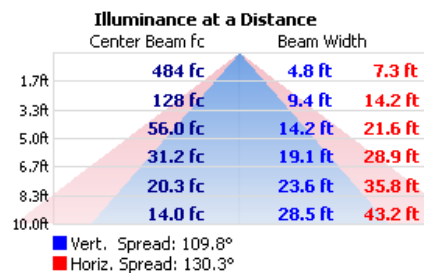
### CONFIGURATIONS

Size	LED Watts	Lumen Output	Lumen Efficiency
2' x 2'	36W	4500 lm	125 lm/W
2' x 4'	46W	5450 lm	

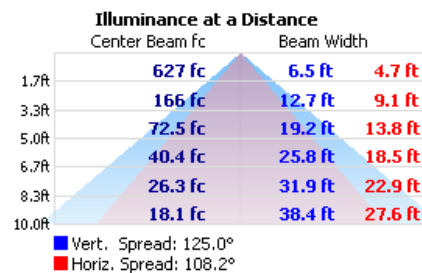
### CUSTOMIZE

Size	Max LED Watts
2' x 2'	36W
2' x 4'	65W

### LSP-22-36LED



### LSP-24-46LED



ORDERING INFORMATION

EXAMPLE: LSP-22-36LED-40K-UNV-DM

MODEL	SIZE		LED		COLOR TEMP.		MOUNTING		VOLTAGE	
LSP	22	2' x 2'	36LED	36W LED	-35K -40K	3500K 4000K	(Blank) FK SMK AC66	Recessed 9/16", 15/16" standard T-bar Flange Kit for Hard Ceiling <sup>1</sup> Surface Mount Kit 66" Aircraft Cable <sup>3</sup>	UNV	120-277V
	24	2' x 4'	46LED	46W LED						

\* Contact factory for custom wattage or lumen requirement.

LED DRIVER		DIFFUSER		OPTIONS	
<b>DM</b>	0-10V 5%~100% (Std.)	(Blank) A12	Satin White (Std.) Pattern#12 prismatic acrylic lens with overlay	<b>EMG8</b>	8W EM Battery Backup
<b>DM1</b>	0-10V 1%~100%			<b>EMG8SDT</b>	8W Self-diagnostic EM Battery Backup
<b>SD40</b>	40% / 100% Bi-Level Step dim			<b>EMG15</b>	15W EM Battery Backup
<b>SDXX</b>	XX% / 100% Bi-Level Step dim (Specify XX : 10% ~ 70%)			<b>EMG15SDT</b>	15W Self-diagnostic EM Battery Backup
<b>PHSR</b>	Philips Xitanium Sensor-Ready, Dali 5%~100% dim.			<b>EMG25</b>	25W EM Battery Backup
<b>TDM</b>	Triac Dim. (120V only)			<b>ELCU-200</b>	Fail-to-on Emergency lighting, UL924 <sup>2</sup>
<b>ELV</b>	ELV compatible (reverse-phase or trailing-edge), (120V only)			<b>GTD</b>	Bodine Generator Transfer Device
<b>TD30/70</b>	30% / 70% / 100% Tri-Level Step dim			<b>GTD10DIM</b>	Bodine Generator Transfer Device (0-10VDC Dimmer Override)
<b>TDXX/YY</b>	XX% / YY% / 100% Tri-Level Step dim (Specify XX, YY : 10% ~ 70%)			<b>AMB</b>	Anti-Microbial Coating (Matte Skye White) <sup>8</sup>
<b>LDE1</b>	Hi-lume 1% EcoSystem LED driver with Soft-on, Fade-to-Black dimming technology, 100% ~ 1% dim			<b>HC403</b>	Microwave bi-level Occupancy Sensor, adjustable via DIP switch <sup>4,5</sup>
<b>BLT</b>	Bluetooth Mesh System (contact factory for more information)	<b>HRC-05</b>	Remote control for HC403 sensor		
		<b>SP10</b>	Integrated 10kV/10kA surge protection		
		<b>ARRA</b>	Assembled in USA		
		<b>BAA</b>	BAA(Buy American Act) compliant		

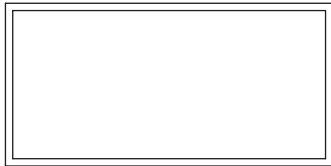
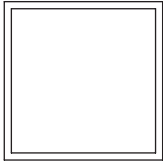
LIGHTING CONTROL SYSTEM		FRAME	
<b>VIVE</b>	<Lutron>	(Blank) CC	White Custom Color
<b>ATHENA</b>	Lutron Vive Bluetooth ready options, please contact factory. Lutron Athena Bluetooth ready options, please contact factory.		
<b>SNS200C</b>	<EasySense> EasySense Ceiling-mount occupancy sensing, daylight harvesting and task tuning in one device (Must be ordered with PHSR driver) <sup>6,7</sup>	* Available custom color (RAL) Please provide us with the RAL number. * Non-standard finish with extra charge.	
<b>RS-IR</b>	IR dongle v2.0 for EasySense control		
<b>AUTANI</b>	<Bluetooth> Autani / Keilton Bluetooth control ready options.		
<b>CASAMBI</b>	Casambi Bluetooth control ready options.		
<b>AVI-ON</b>	Avi-On Bluetooth control ready options.		

NOTES:

- Supplied in separate boxes, field installed.
- Shipped separately.
- The whole cable length from ceiling to fixture is 66".
- See Table 2 to find factory setting.
- Depth increased up to 3".
- See NFC and IR manual in the separate attachment. If your phone is not compatible, please order "RS-IR" and follow the manual.
- Refer to Advanced Grouping Datasheet for its default setting and compatible wireless switches.
- AMB coating is limited to exposed frame; back of the housing is not coated.

# LSP

<Standard>



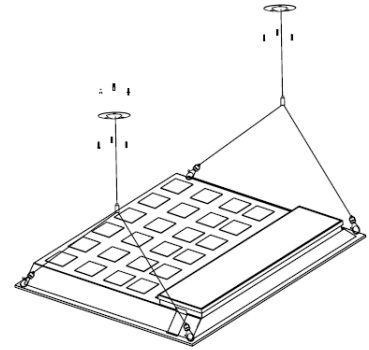
**Specifications: LSP 2'x2'**

Length: 23-3/4 (603)  
 Width: 23-3/4 (603)  
 Depth: 1-5/8 (41)  
 Depth with Junction box: 2-7/8 (74)  
 \* Depth increased up to 3" with HC403 option.  
 \* Depth increased up to 5.2" (132) with EM option.

**Specifications: LSP 2'x4'**

Length: 47-5/8 (1209)  
 Width: 23-3/4 (603)  
 Depth: 1-5/8 (41)  
 Depth with Junction box: 2-7/8 (74)  
 \* Depth increased up to 3" with HC403 option.  
 \* Depth increased up to 5.2" (132) with EM option.

All dimensions are in inches (millimeters).



**Pendant Mounting**

**APPROVED DIMMER SWITCH (Table 1)**

Model#	Brand	Manufacturer	Manufacturer Part #
DM (0-10V 5%~100%)	-	<Leviton>	IllumaTech IP7 series
		<Lutron>	Visit <a href="http://www.lutron.com/advance">www.lutron.com/advance</a> for a list of dimmers (Mark VII) that will work with this driver
		<Philips>	Sunrise: SR1200ZTUNV
		<Easeic>	EID110U
DM1 (0-10V 1%~100%)	-	<Lutron>	Nova: NFTV- dimmer plus PP-DV relay pack(s) Nova T: NTSTV-DV-dimmer Diva: DVTV-dimmer, DVSCTV-dimmer, plus PP-DV relay pack(s), DVSTV-dimmer, DVSCSTV-dimmer GRAFIK Eye QS: QSGRJ-XP, plus GRX-TVI 0-10V interface GRAFIK Eye QS with EcoSystem: QSGRJ-XE, QSGR-XE, plus GRX-TVI 0-10V interface PowPak: RMJ-5T
		<Leviton>	Leviton: IP710-LFZ
		<Philips>	Sunrise: SR1200ZTUNV
		<Lutron>	Diva DV-600P, SkyLark S-600P, Ariadni AY-600P, Ariadni TG-603P, Maestro MA-600 (Digital), Diva CFL/LED DVCL-153P, Satin Colors DVSC-600P-SW
TDM	KEYSTONE	<Lutron>	6641, IllumaTech IP106-1LX, ToggleTouch TGI06-1LW (Digital)
ELV	KEYSTONE	<Lutron>	MAELV-600BL (Digital), DVELV-300P, SkyLark SELV-300P
LDE1	Lutron Hi-lume 1% EcoSystem	<Lutron>	PowPak Dimming Modules: RMJ-ECO32-DV-B, FCJ/FCJS-ECO Energi Savr Node (120V only): QSN-1ECO-S, QSN-2ECO-S GRAFIK Eye QS/Homeworks QS control unit (120V only): QSGRJ-_E(wireless) QSGRJ-_E Quantum Hub (120V only): QP2-_2C/4C/6C/8C Homeworks QS/myRoom Plus power module (120V only): LQSE-2ECO-D
PHSR <sup>1</sup>	Philips Xitanium Sensor-Ready	<Illuma>	<u>Single Rocker Self-Powered Light Switch (on/off, dim-up/down)</u> Illuma# ZBT-S1AWH Digi-Key# 1082-1033-ND <u>Dual Rocker Self-Powered Light Switch (on/off, dim-up/down, scene1,2)</u> Illuma# ZBT-S2AWH Digi-Key# 1082-1034-ND

\* If you want other specific kind, please contact us.

1. Recommended for EasySense System.

**HC403 FACTORY SETTING (TABLE 2)**

Detection Area	100%
Hold-time	5 sec
Daylight sensor	Disable
Stand-by period (tri-level control)	10 sec
Stand-by dimming level	10%

\* See a separate attachment to find more setting options.