

CUBE2-PR

Project Name:	
Type:	



APPLICATION

The CUBE2 perimeter provides a glowing transition between ceiling and wall, perfect for multiple applications such as commercial, general office, banking, retail and educational environments.

FEATURES:

- Housing is formed by cold-rolled steel with highly reflective die-formed white painted steel reflector.
- Matte finish snap-in lens (.125" thickness) for easy installation.

MOUNTING:

- Compatible with most ceiling including T-bar, screw slot and drywall.

ELECTRICAL:

- High power factor electronic driver, operate from a 120 ~ 277 Vac input range, 50 / 60 Hz.
- Features included over voltage protection, surge, short circuit protection and over load protection.
- Power Factor: typical > 0.95, THD <20, meets Class1 or Class 2 circuit.
- 0-10V dimmable driver as standard.
- 0-10VDC dimming 1%~100%.
- Operating temperature: -4°F (-20°C) ~ 122°F (50°C).
- <ELCU-200>
- Guarantees emergency lighting remains ON or is turned on when power to the control device is lost.
- Interfaces with fire alarm panel or security system.
- "Watchdog" feature allows emergency loads to be controlled in tandem with normal power loads.
- UL listed for use in emergency circuits.

LED:

- High quality arrayLEDs.
- LM80
- Color Temperature: 2700/3000/3500/4000/5000 (K).
- Color Rendering Index: >80 (optional>90).
- Nominal Lamp Life: 100,000 hours.
- Reported L70 hours: +60,000 (55°C).

FINISH:

- Standard powder-coat textured white painted finish on exposed trim, consult factory for custom colors.
- Comes with snap-in acrylic lens as standard.

LISTING:

- UL / CUL listed.
- Listed to UL 1598 and UL 8750.
- UL listed for dry & damp location.
- CEC Compliant EM (please contact for more information)
- Assembled in USA (optional).
- BAA compliant (optional).
- BABA compliant (optional). ²¹
- Trade Agreements Act compliant (optional).
- 5 years limited warranty. ⁵
- 7 or 10 years limited warranty. (optional) ⁵
- CCEA City of Chicago Environmental Air approved (optional).
- Bluetooth Mesh System available, please contact factory for more information.

CONFIGURATIONS

Series	Size	Model #	AC Input	Fixture Lumen Output (4000K)		Lumen Efficiency (4000K)
CUBE2	2'	18L	9.9W	1280.46 lm (100% Down)	1280.46 lm	129.34 lm/W
		27L	14.85W	1641.66 lm (100% Down)	1641.66 lm	110.55 lm/W
		36L	19.8W	2122.36 lm (100% Down)	2122.36 lm	107.19 lm/W
		48L	26.4W	2811.6 lm (100% Down)	2811.6 lm	106.5 lm/W
		54L	29.7W	3146.41 lm (100% Down)	3146.41 lm	105.94 lm/W
	3'	18L	14.85W	1921.29 lm (100% Down)	1921.29 lm	129.38 lm/W
		27L	22.27W	2461.50 lm (100% Down)	2461.50 lm	110.53 lm/W
		36L	29.7W	3182.95 lm (100% Down)	3182.95 lm	107.17 lm/W
		48L	39.6W	4217.4 lm (100% Down)	4217.4 lm	106.5 lm/W
		54L	44.55W	4720.51 lm (100% Down)	4720.51 lm	105.96 lm/W
	4'	18L	19.8W	2562.12 lm (100% Down)	2562.12 lm	129.40 lm/W
		27L	29.7W	3283.33 lm (100% Down)	3283.33 lm	110.55 lm/W
		36L	39.6W	4244.72 lm (100% Down)	4244.72 lm	107.19 lm/W
		48L	52.8W	5623.2 lm (100% Down)	5623.2 lm	106.5 lm/W
		54L	59.4W	6294.02 lm (100% Down)	6294.02 lm	105.96 lm/W
	5'	18L	24.75W	3202.15 lm (100% Down)	3202.15 lm	129.38 lm/W
		27L	37.13W	4104.72 lm (100% Down)	4104.72 lm	110.55 lm/W
		36L	49.5W	5305.9 lm (100% Down)	5305.9 lm	107.19 lm/W
		48L	66W	7029 lm (100% Down)	7029 lm	106.5 lm/W
		54L	74.25W	7866.78 lm (100% Down)	7866.78 lm	105.95 lm/W
	6'	18L	29.7W	3842.58 lm (100% Down)	3842.58 lm	129.38 lm/W
		27L	44.55W	4925 lm (100% Down)	4925 lm	110.55 lm/W
		36L	59.4W	6367.08 lm (100% Down)	6367.08 lm	107.19 lm/W
		48L	79.2W	8434.8 lm (100% Down)	8434.8 lm	106.5 lm/W
		54L	89.1W	9400.14 lm (100% Down)	9400.14 lm	105.95 lm/W
	8'	18L	39.6W	5124.24 lm (100% Down)	5124.24 lm	129.40 lm/W
		27L	59.4W	6566.67 lm (100% Down)	6566.67 lm	110.55 lm/W
		36L	79.2W	8489.45 lm (100% Down)	8489.45 lm	107.19 lm/W
		48L	105.6W	11246.4 lm (100% Down)	11246.4 lm	106.5 lm/W
		54L	118.8W	12588.05 lm (100% Down)	12588.05 lm	105.96 lm/W

OUTPUT CURRENT

		Bi-Level		Tri-Level (Default)	
SW1	SW2	Config Range	Default	Config Range	Default
Close	Open	10% - 70%	40%	10% - 70%	30%
Open	Close	10% - 70%	40%	10% - 70%	70%
Close	Close	100%	100%	100%	100%
Open	Open	0%	0%	0%	0%

WEIGHT



Item	lbs	kg
CUBE 2 2FT DRYWALL	8.14	3.69
CUBE 2 3FT DRYWALL	11.00	4.99
CUBE 2 4FT DRYWALL	12.89	5.85
CUBE 2 8FT DRYWALL	25.45	11.55
CUBE 2 4FT G1	12.85	5.83
CUBE 2 8FT G1	23.73	10.77
CUBE 2 HC90 DRYWALL	17.37	7.88

		Multiplier		
CCT		3000K	3500K	5000K
Down only		0.9642	0.9822	1.0357

CUBE2-PR

ORDERING INFORMATION


EXAMPLE: CUBE2-PR-IND-4-D27L-40K-FT-UNV

MODEL	ROW ¹	SECTION ²	LED Downlight (per/4ft section)	DISTRIBUTION	COLOR TEMP.	CRI
CUBE2-PR-IND (Individual Mount)	xx' Specify nominal overall row length in 1' increments	2 2' Length 3 3' Length 4 4' Length 5 5' Length 6 6' Length 8 8' Length ³	D18L 18W LED (640 lm/ft) D27L 27W LED (820 lm/ft) D36L 36W LED (1061 lm/ft) D48L 48W LED (1405 lm/ft) D54L 54W LED (1573 lm/ft) Dxx Custom lumen or watt: ___LM or ___W	(Blank) Flushed (Std.)  ASY Asymmetric 	-27K 2700K ⁹ -30K 3000K -35K 3500K -40K 4000K -50K 5000K	(Blank) 80+ CRI C9 90+ CRI ⁸
CUBE2-PR-CON (Continuous Row Mount)						
CUBE2-PR-CM (Custom)	Must provide a sketch on the last page					

* Number of circuit(s) should be determined by the customer prior to ordering the continuous run considering the AC input voltage and total run wattage.
⁸ Max up to 6292lm or 54W per 4ft.
⁹ with TDM/ELV: offered to closest lm or W.

SHIELDING	MOUNTING TYPE	MOUNTING	VOLTAGE	EM SECTION ⁴	FINISH
(Blank) Flushed Lens (Std.) 2RG 2" regressed 4RG 4" regressed	(Blank) Fixed (Std.) NF Non-flanged side for flushed wall installation.	G1 9/16", 15/16", 1" T-bar Ceiling Grid ¹² SS 9/16" Screw Slot, 9/16" T-bar with Tegular tile ceiling ¹² FT Standard 1/2" Flange ^{13, 17} SF Spackle Flange (Trimless) ^{13, 17}	UNV 120-277V 120 120V 277 277V 347 347V ¹⁴	(Blank) None EM 1SE 1 Section 2SE 2 Section xSE x Section	(Blank) Matte White RAL #9003 (Std.) *BK Black RAL #9011 *SV Silver (RAL #9002) **CC Custom Color *AMB Anti-Microbial Coating (Matte Skye White)

* Non-standard finish with extra charge.
¹² ** CC: additional charge & set up fee. Provide RAL# code.

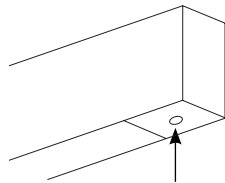
LED DRIVER	
(Blank) 0-10V dim to 1% (Std.) (dim both uplight and downlight simultaneously) ES566 eldoLED SOLOdrive Natural Dimming to dark, 0-10V, 100% ~ 0.1% dim SD40 40% / 100% Bi-Level Step dim SDXX XX% / 100% Bi-Level Step dim (Specify XX : 10% ~ 70%) PHSR Philips Xitanium Sensor-Ready, Dali 5%~100% dim. PHDL Philips Xitanium DALI driver, Dim to 5% TD30/70 30% / 70% / 100% Tri-Level Step dim TDXX/YY XX% / YY% / 100% Tri-Level Step dim (Specify XX, YY : 10% ~ 70%)	TDM Triac Dim. (120V only) ELV ELV compatible (reverse-phase or trailing-edge), (120V only) LDE1 Hi-lume 1% EcoSystem LED driver with Soft-on, Fade-to-Black dimming technology, 100% ~ 1% dim DTO 0-10V DIM-TO-OFF
	 BLT Bluetooth Mesh System (contact factory for more information)

OPTIONS	LIGHTING CONTROL SYSTEM
HC90-11 90° Horizontal Lit Connector, 1'x1' ¹⁶ HC90-12 90° Horizontal Lit Connector, 1'x2' ¹⁶ HC90-21 90° Horizontal Lit Connector, 2'x1' ¹⁶ HC90-22 90° Horizontal Lit Connector, 2'x2' ¹⁶ EMG8 8W EM Battery Backup (CEC Compliant EM) ^{6, 15} EMG15 15W EM Battery Backup (CEC Compliant EM) ^{6, 15} EMG20 20W EM Battery Backup (CEC Compliant EM) ^{6, 15} EMG25 25W EM Battery Backup (CEC Compliant EM) ^{6, 15} ELCU-200 Fail-to-on Emergency lighting, UL924 ⁷ F1 Single fuse, must select 120V/277V/347V F2 Double fuse, must select 208V/240V ARRA Assembled in USA BAA BAA(Buy American Act) compliant BABA BABA (Build America Buy America) compliant ²¹ TAA Trade Agreements Act compliant O7W Optional 7 Years Limited Warranty ⁵ O10W Optional 10 Years Limited Warranty ⁵ ADPMS Bluetooth Mesh Wireless Sensor. Occupancy / Daylight harvesting / 0-10V Dimming ^{18, 19} AVI-DC-CS2-PIR PIR occupancy / vacancy / daylight harvesting / bi-level sensor E1F End feed on one end (Pre-drilled hole for 1/2" fitting) E2F End feed on both ends (Pre-drilled holes for 1/2" fitting) CCEA Chicago Plenum J-rail-x J-rail for wall side (specify x = length of the fixture), field installation ²⁰ Z-rail-x Z-rail for fixture side (specify x = length of the fixture), pre-installed ²⁰	<Lutron> VIVE Lutron Vive Bluetooth ready options, please contact factory. ATHENA Lutron Athena Bluetooth ready options, please contact factory. <EasySense> SNS200 EasySense Fixture-mount occupancy sensing, daylight harvesting and task tuning in one device (Must be ordered with PHSR driver) ^{10, 11} RS-IR IR dongle v2.0 for EasySense control <Bluetooth> AUTANI Autani / Keilton Bluetooth control ready options. CASAMBI Casambi Bluetooth control ready options. AVI-ON Avi-On Bluetooth control ready options. <small>* Please contact factory for Bluetooth control with sensor and other options</small>

CUBE2-PR

NOTES:

1. Specify only when continuous row mount.
2. For continuous row only.
3. Comes with 1pc 8ft lens.
4. EM is installed in the last 4' of luminaire section. Separate section requires 2SE or specified. Must specify voltage, not available with 347V.
5. This limited warranty covers electrical parts only and does not apply to labor, equipment lease, or defect from improper installation or operation.
6. Contact factory for other emergency battery backup options. Not available with 347V.
7. Shipped separately.
8. Lumen per watt is approximately 15% fewer than standard CRI (80+).
9. Available with C9 (CRI 90+) only.
10. See NFC and IR manual in the separate attachment. If your phone is not compatible, please order "RS-IR" and follow the manual.
11. Refer to Advanced Grouping Datasheet for its default setting and compatible wireless switches.
12. Compatible with T-bar ceiling type.
13. Compatible with hard ceiling type.
14. Not available EM battery backup.
15. May be remote mounted up to 3ft configuration. Remote box by others.
16. Refer to separate CUBE2-HC90 spec sheet to find more information.
17. (2) 3/8" rod, by others, installation is standard (refer to the installation instructions for more details).
18. Only available with standard 0-10V LED driver.
19. Default setting from the factory is "occupancy enabled, Daylight disabled". To enable Daylight, disable occupancy and enable daylight in the field prior to installation.
20. Not available with -NF mounting type.
21. Not all configuration may be available. Please check with factory.



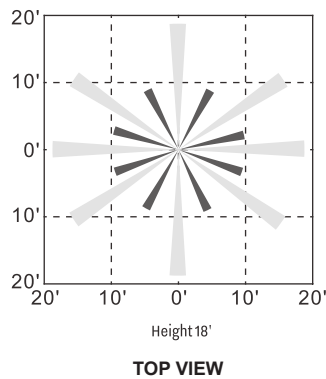
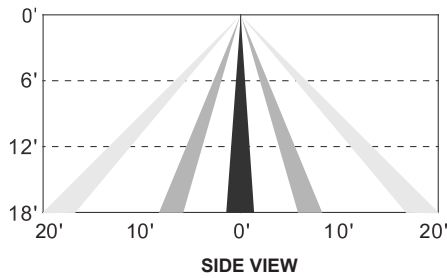
Sensor Plate



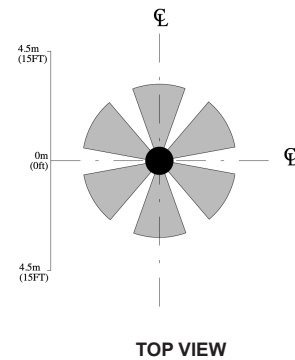
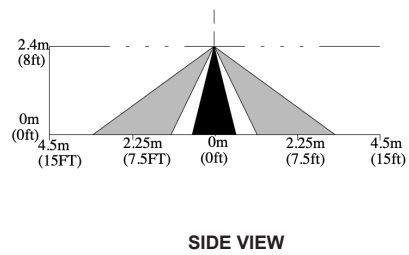
Lutron Vive Integral
fixture control installation



EasySense
fixture-mount installation



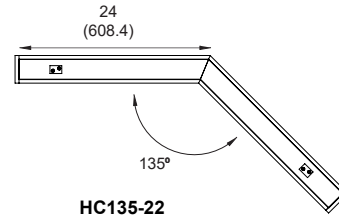
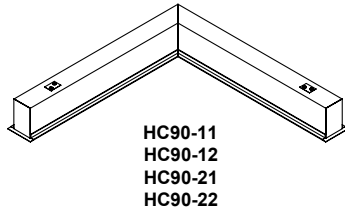
ADPMS coverage pattern



AVI-DC-CS2-PIR coverage pattern

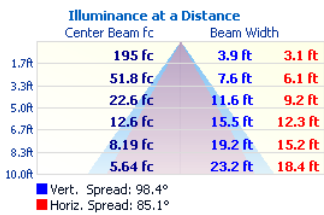
CUBE2-PR

- LIT CORNER

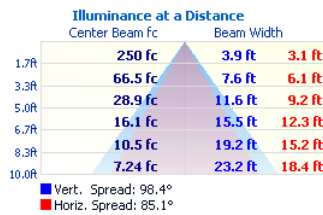


* See a separate CUBE2-HC90 spec sheet to find more information.

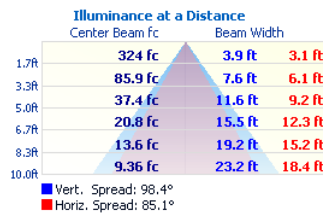
CUBE2-2-18L



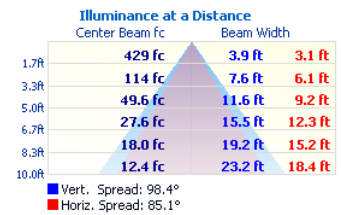
CUBE2-2-27L



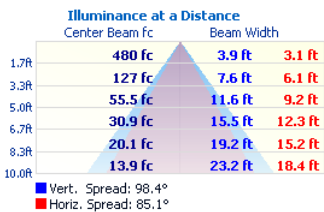
CUBE2-2-36L



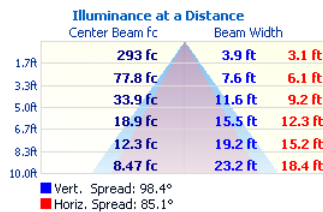
CUBE2-2-48L



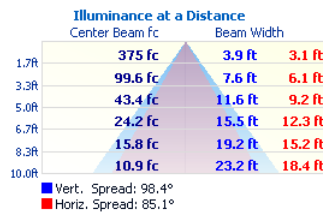
CUBE2-2-54L



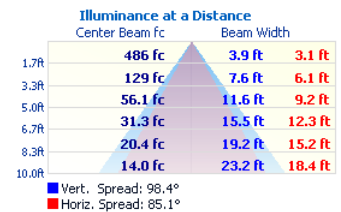
CUBE2-3-18L



CUBE2-3-27L



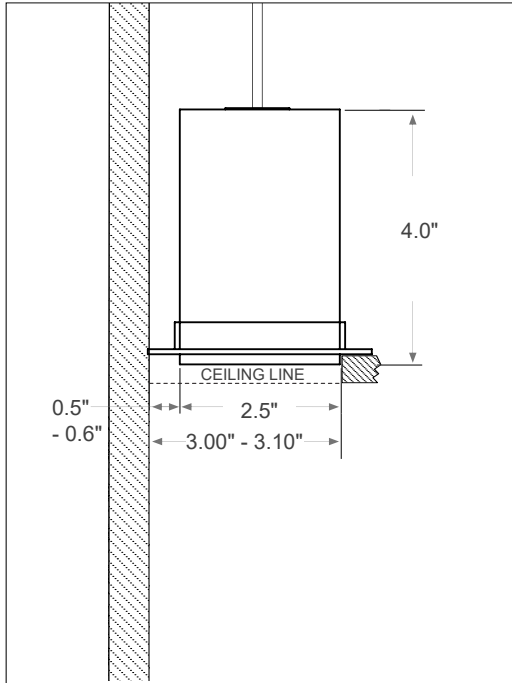
CUBE2-3-36L



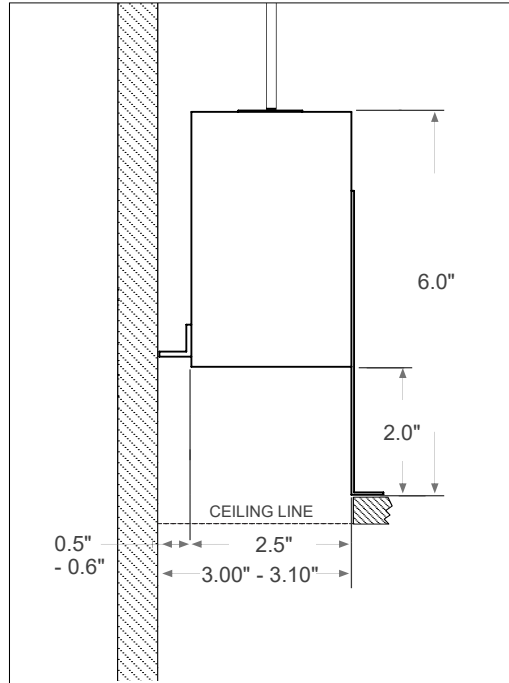
CUBE2-PR

-FT mounting dimensions & details

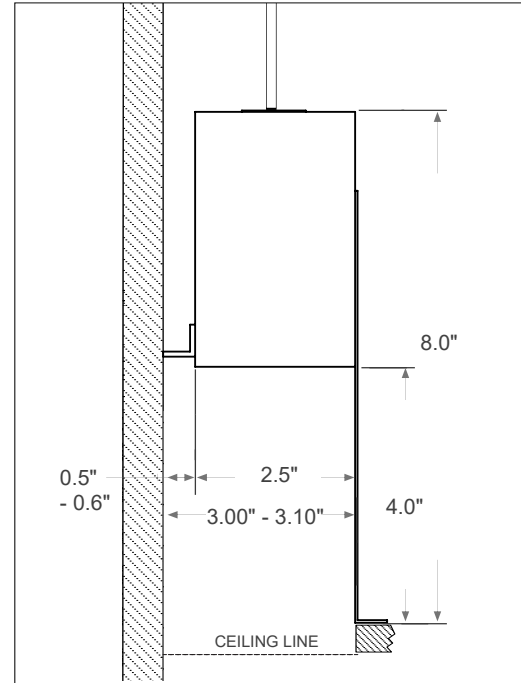
⚠ Luminaire must be installed prior to drywall.
 * 3/8" Rod by others.



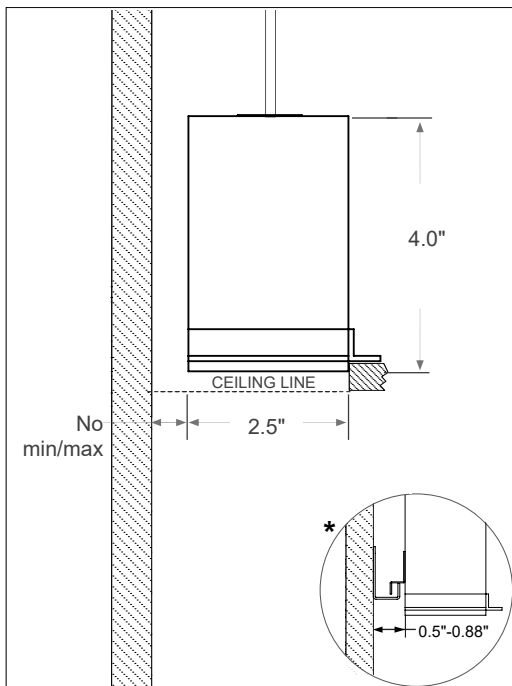
Flushed Lens w/ Fixed* mounting type (std.)
 (1/2" flange on both sides)



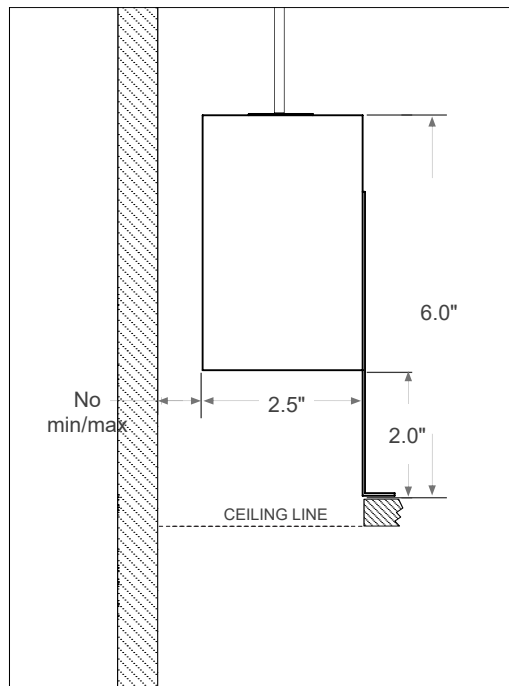
2" Regressed Lens w/ Fixed* mounting type
 (1/2" flange on both sides)



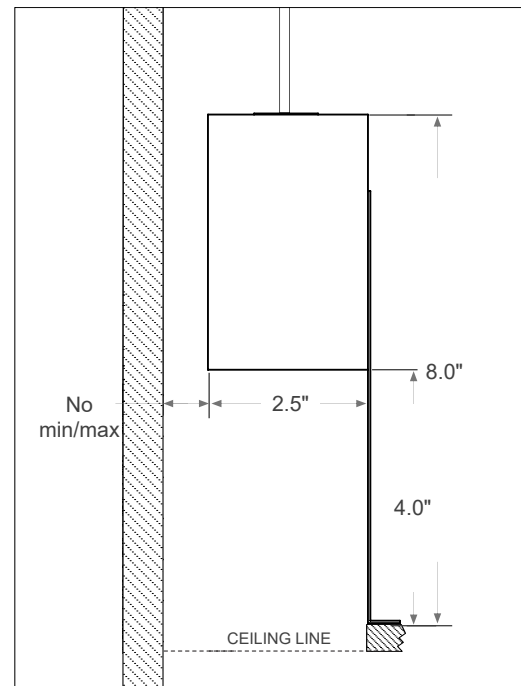
4" Regressed Lens w/ Fixed* mounting type
 (1/2" flange on both sides)



Flushed Lens w/ NF* mounting type (std.)
 (1/2" flange on one side)
 * J-rail & Z-rail can be ordered separately




2" Regressed Lens w/ NF* mounting type
 (1/2" flange on one side)
 * J-rail & Z-rail can be ordered separately

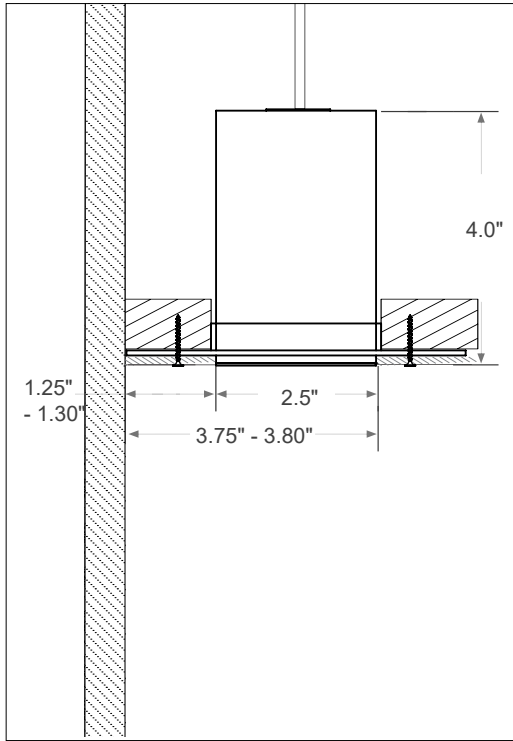


4" Regressed Lens w/ NF* mounting type
 (1/2" flange on one side)
 * J-rail & Z-rail can be ordered separately

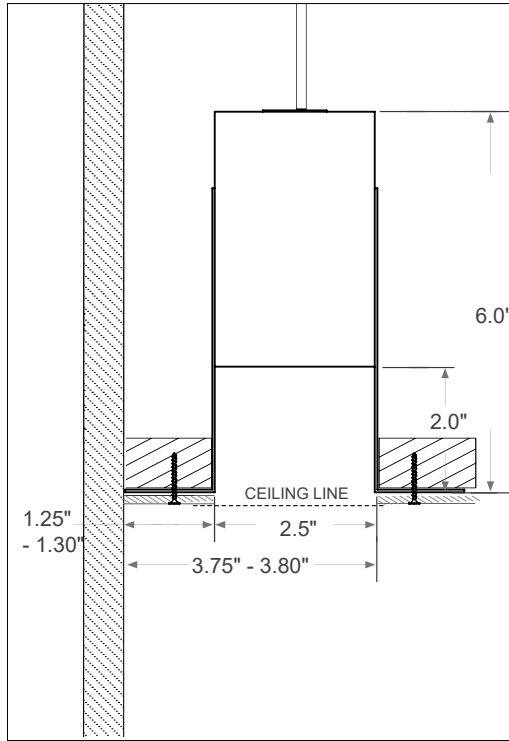
CUBE2-PR

-SF mounting dimensions & details

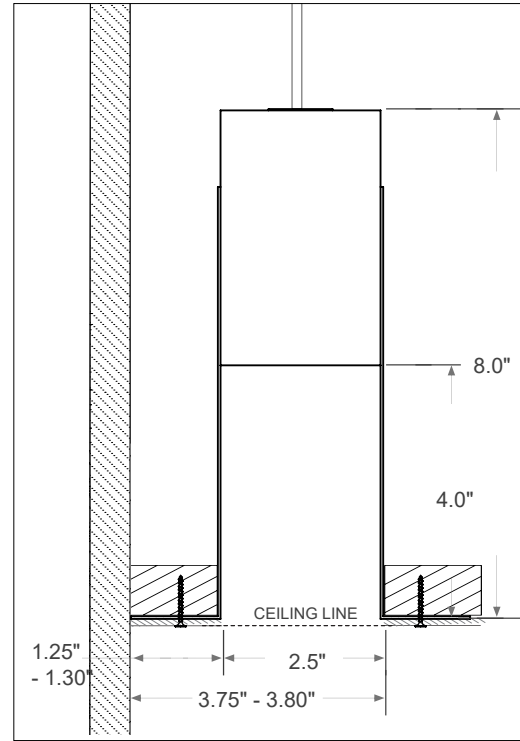
 Luminaire must be installed prior to drywall.
 * 3/8" Rod by others.



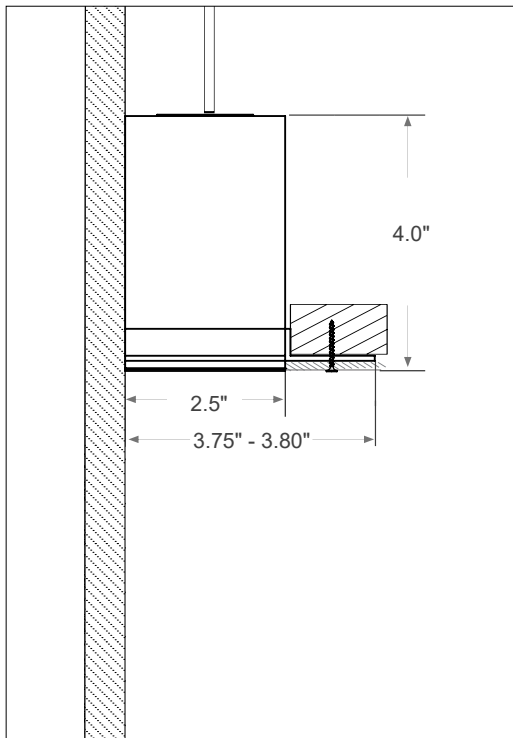
Flushed Lens w/ Fixed* mounting type (std.)
 (1-1/4" flange on both sides)



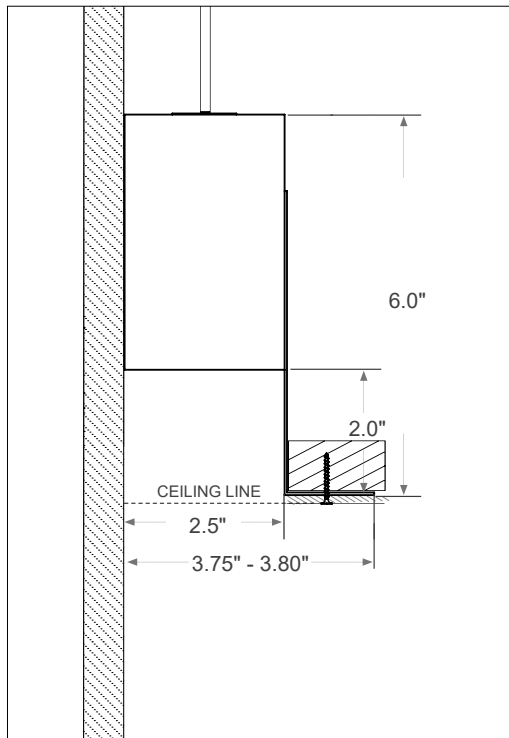
2" Regressed Lens w/ Fixed* mounting type
 (1-1/4" flange on both sides)



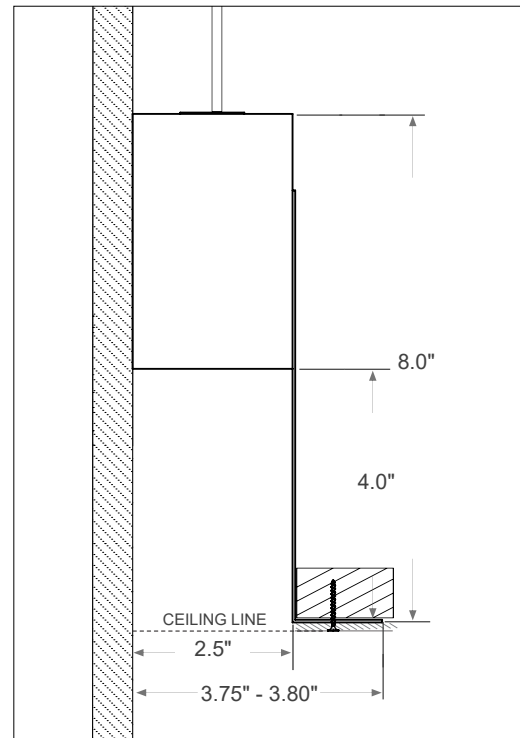
4" Regressed Lens w/ Fixed* mounting type
 (1-1/4" flange on both sides)



Flushed Lens w/ NF* mounting type (std.)
 (1-1/4" flange on one side)



2" Regressed Lens w/ NF* mounting type
 (1-1/4" flange on one side)

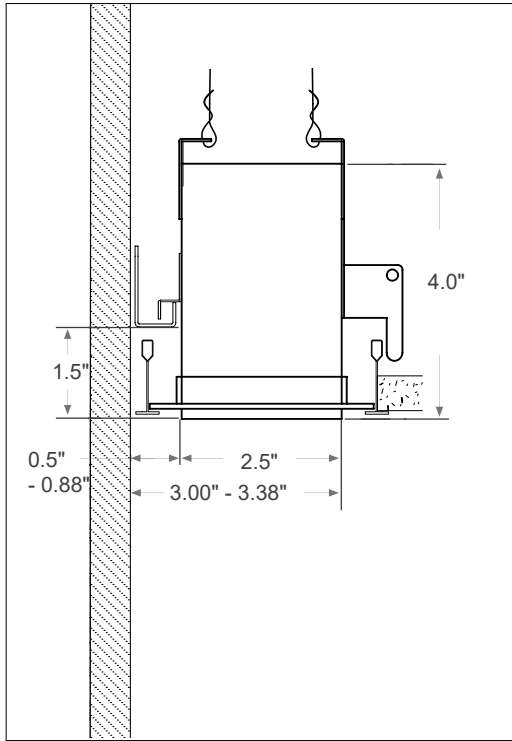


4" Regressed Lens w/ NF* mounting type
 (1-1/4" flange on one side)

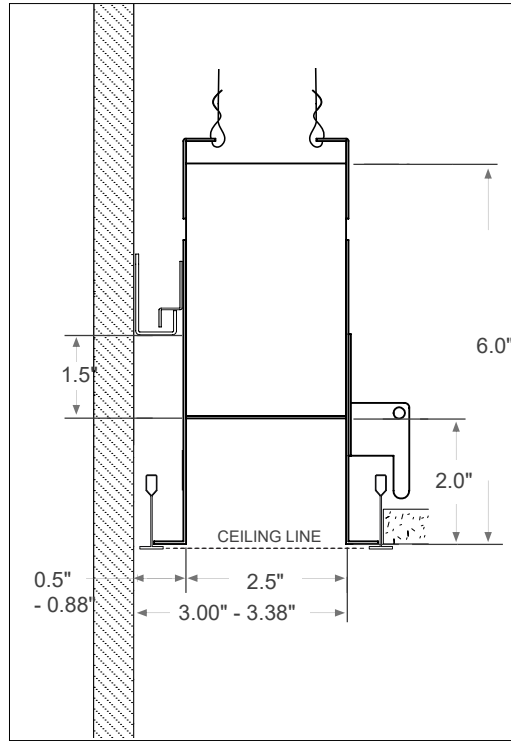
CUBE2-PR

-G1 mounting dimensions & details

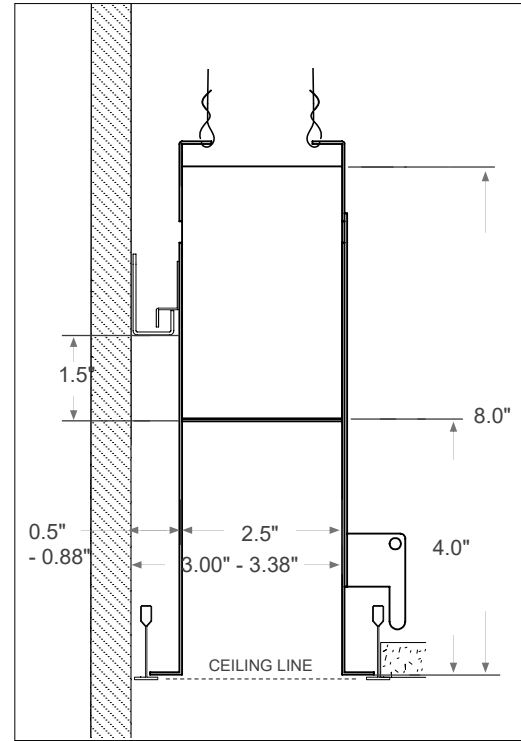
- ⚠ * J-rail provided (ship separate), Z-rail pre-installed.
- * Safety cable by others.



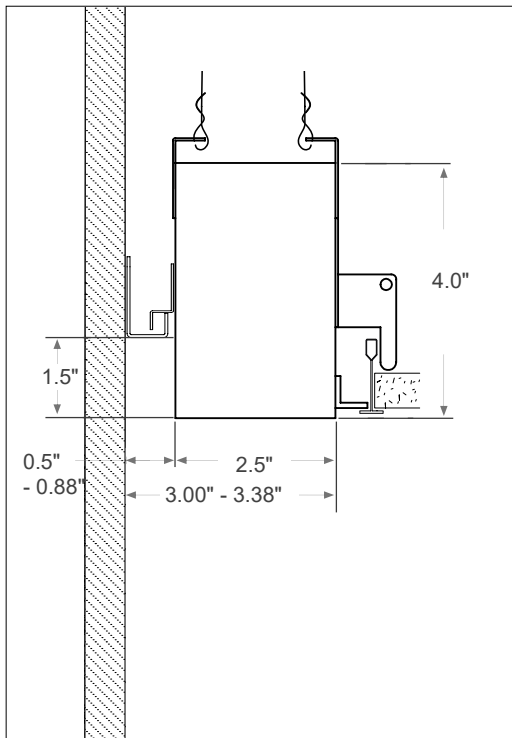
Flushed Lens w/ Fixed* mounting type (std.)
(1/2" flange on both sides)



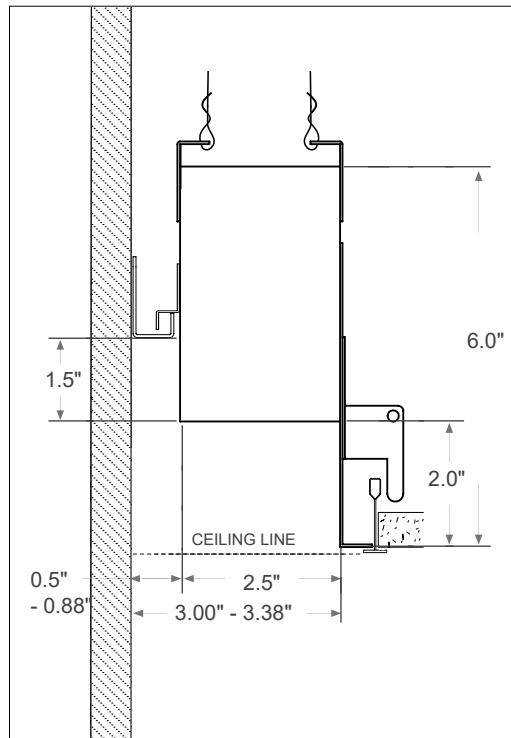
2" Regressed Lens w/ Fixed* mounting type
(1/2" flange on both sides)



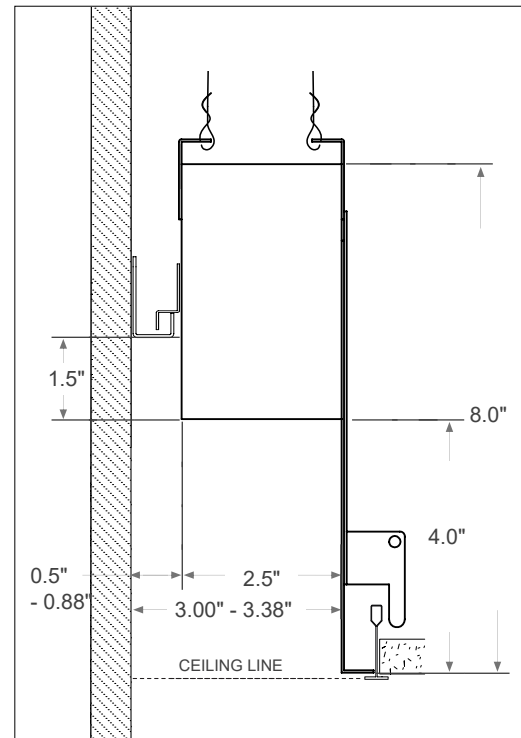
4" Regressed Lens w/ Fixed* mounting type
(1/2" flange on both sides)



Flushed Lens w/ NF* mounting type (std.)
(1/2" flange on one side)



2" Regressed Lens w/ NF* mounting type
(1/2" flange on one side)

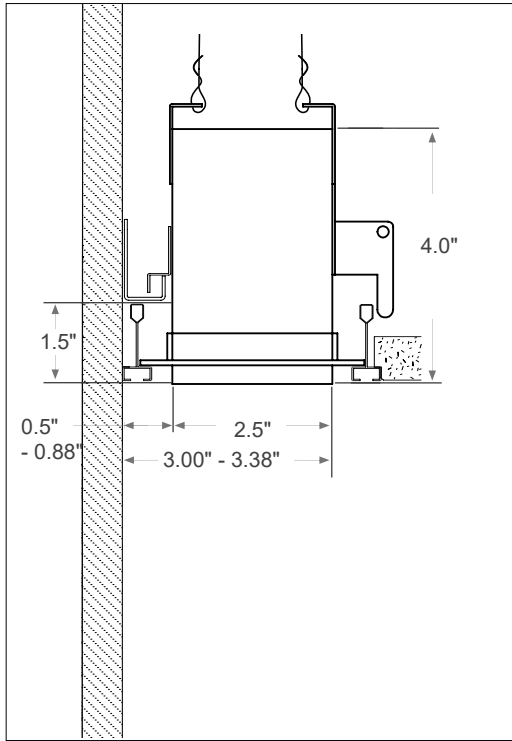


4" Regressed Lens w/ NF* mounting type
(1/2" flange on one side)

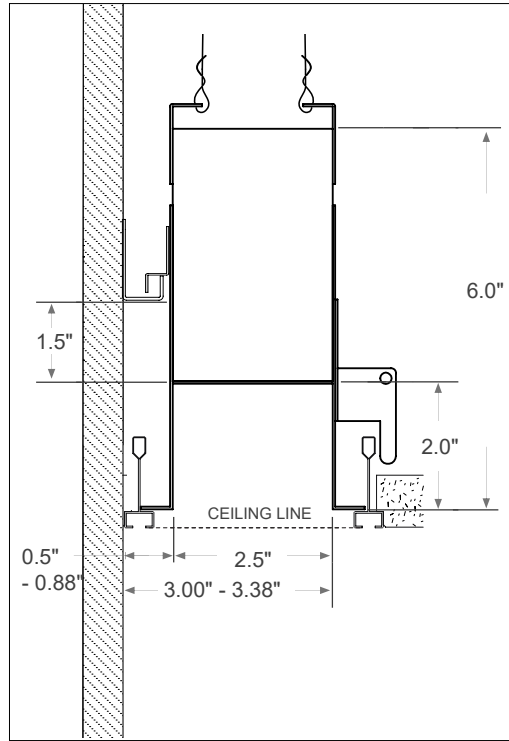
CUBE2-PR

-SS mounting dimensions & details

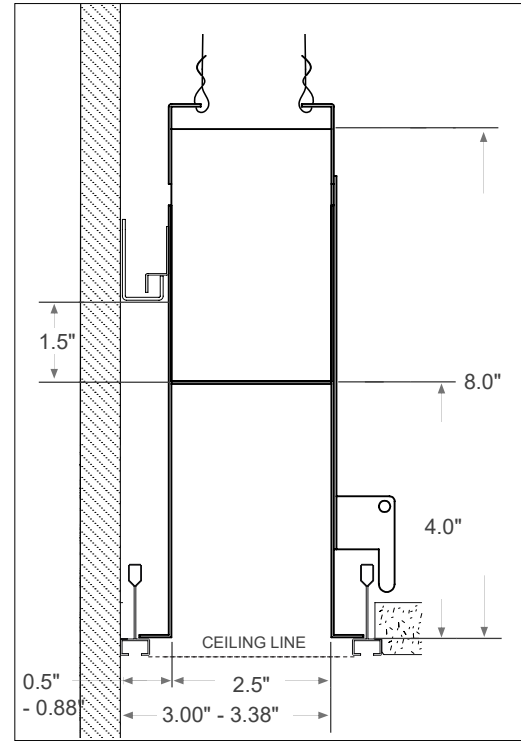
- ⚠ * J-rail provided (ship separate), Z-rail pre-installed.
- * Safety cable by others.



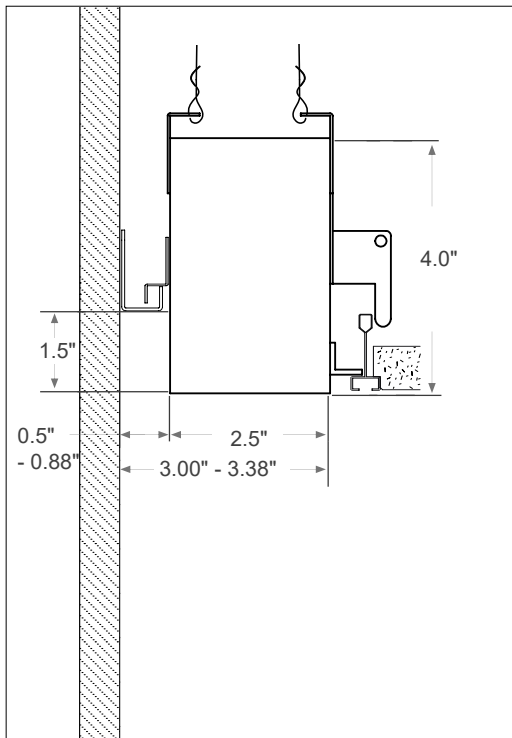
Flushed Lens w/ Fixed* mounting type (std.)
(1/2" flange on both sides)



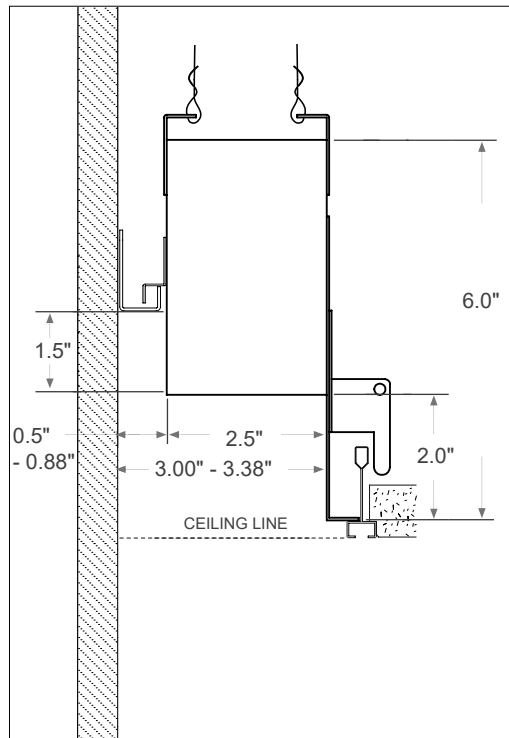
2" Regressed Lens w/ Fixed* mounting type
(1/2" flange on both sides)



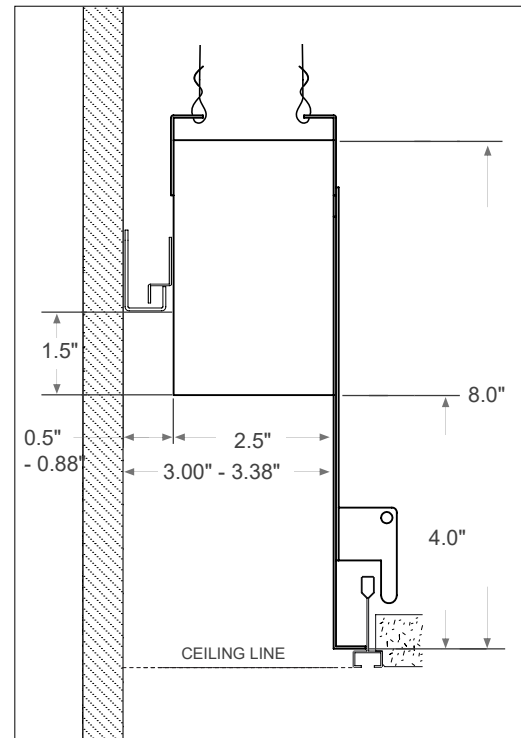
4" Regressed Lens w/ Fixed* mounting type
(1/2" flange on both sides)



Flushed Lens w/ NF* mounting type (std.)
(1/2" flange on one side)



2" Regressed Lens w/ NF* mounting type
(1/2" flange on one side)



4" Regressed Lens w/ NF* mounting type
(1/2" flange on one side)

CUBE2-PR

COMPATIBLE DIMMER SWITCH (TABLE 1)

Model #	Brand	Compatible Dimmer Switch	
(Blank)	-	<Leviton>	IP710-LFZ
		<Lutron>	Visit www.lutron.com/advance for a list of dimmers (Mark VII) that will work with this driver.
ES566	eldoLED SOLOdrive	<Busch-Jaeger>	2112U-101
		<Jung>	240-10
		<Leviton>	IllumaTech - IP710-DLX
		<Lightoller Controls>	ZP600FAM120
		<Merten>	5729
		<Pass & Seymour>	CD4FB-W
		<Wattstopper>	DCLV1
		<Sensor Switch>	nIO EZ
		<Synergy>	ISD BC
		<ABB>	SD/S 2.16.1
		<Lutron>	Nova T: NTFTV Diva - DVTv-xx, NFTV GRAFIK Eye: GRX-TVI w GRX3503 Energy Savr Node: QSN-4T16-S TVM2 Module
<Crestron>	GLX-DIMFLV8, GLXP-DIMFLV8, GLPAC-DIMFLV4-*, GLPAC-DIMFLV8-*, GLPP-DIMFLVEX-PM, GLPP-1DIMFLV2EX-PM, GLPP-1DIMFLV3EX-PM, DIN-AO8, DIN-4DIMFLV4, CLS-EXP-DIMFLV, CLCI-1DIMFLV2EX		
LDE1	Lutron Hi-lume 1% EcoSystem	<Lutron>	PowPak Dimming Modules: RMJ-ECO32-DV-B, FCJ/FCJS-ECO ^{1,2} Energi Savr Node (120V only): QSN-1EC0-S, QSN-2ECO-S GRAFIK Eye QS/Homeworks QS control unit (120V only): QSGRJ- _E(wireless) QSGR- _E Quantum Hub (120V only): QP2- _ _2C/4C/6C/8C Homeworks QS/myRoom Plus power module (120V only): LQSE-2ECO-D
PHSR ³	Philips Xitanium Sensor-Ready	<Illumra>	<u>Single Rocker Self-Powered Light Switch (on/off, dim-up/down)</u> Illumra# ZBT-S1AWH Digi-Key# 1082-1033-ND <u>Dual Rocker Self-Powered Light Switch (on/off, dim-up/down, scene1,2)</u> Illumra# ZBT-S2AWH Digi-Key# 1082-1034-ND
TDM	KEYSTONE	<Lutron>	Diva DV-600P, SkyLark S-600P, Ariadni AY-600P, Ariadni TG-603P, Maestro MA-600 (Digital), Diva CFL/LED DVCL-153P, Satin Colors DVSC-600P-SW
		<Leviton>	6641, IllumaTech IPI06-1LX, ToggleTouch TGI06-1LW (Digital)
ELV	KEYSTONE	<Lutron>	MAELV-600BL (Digital), DVELV-300P, SkyLark SELV-300P
DTO	Philips Xitanium Gen.2 Philips Xitanium Sensor-Ready	<Lutron>	Nova T: #NTSTV-DV http://www.lutron.com/TechnicalDocumentLibrary/NovaTB.pdf See page13.

NOTES:

- All devices connected to one FCJ/FCJS-ECO will be controlled together. Devices will dim to the same level as the result of a control command.
For more detail on adjusting low-end light level refer to Application Note#556 at www.lutron.com.
- For the Line/Hot (L/H) terminal on the driver, it is preferred not to use the switched hot (red) wire from the control but rather the hot wire directly from the power source.
- Recommended for EasySense System.

ARCHITECTURAL LINEAR PERIMETER

CUBE2 LIT CONNECTOR PATTERNS

The lit connector system allows continuous illumination all the way through the corner section.

Instruction:

- Please provide sketches illustrating corner types, overall dimensions including corner dimensions (based on wall-to-wall dimensions) and power locations required.
- HC90 connectors have 90 degree corners (overall, outside dimension).

