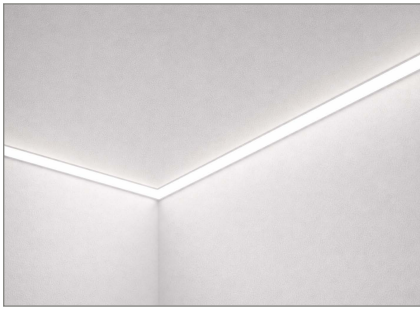


CUBE1-PR

Project Name:	
Type:	



CASAMBI

APPLICATION

The CUBE1 perimeter provides a glowing transition between ceiling and wall, perfect for multiple applications such as commercial, general office, banking, retail and educational environments.

FEATURES:

- Housing is extruded aluminum with a highly reflective die-formed white painted steel reflector.
- Matte finish snap-in lens for easy installation.

MOUNTING:

- Compatible with most ceiling including T-bar, screw slot and drywall.

ELECTRICAL:

- High power factor electronic driver, operate from a 120 ~ 277 Vac input range, 50 / 60 Hz.
- Features included over voltage protection, surge, short circuit protection and over load protection.
- Power Factor: typical > 0.95, THD <20, meets Class 1 or Class 2 circuit.
- 0-10V dimmable driver as standard.
- 0-10VDC dimming 1%~100%.
- Operating temperature: -4°F (-20°C) ~ 122°F (50°C).
- <ELCU-200>
- Guarantees emergency lighting remains ON or is turned on when power to the control device is lost.
- Interfaces with fire alarm panel or security system.
- "Watchdog" feature allows emergency loads to be controlled in tandem with normal power loads.
- UL listed for use in emergency circuits.

LED:

- High quality arrayLEDs.
- LM80
- Color Temperature: 2700/3000/3500/4000/5000 (K).
- Color Rendering Index: >80 (optional>90).
- Nominal Lamp Life: 100,000 hours.
- Reported L70 hours: +60,000 (55°C).

FINISH:

- Standard powder-coat textured white painted finish on exposed trim, consult factory for custom colors.
- Comes with snap-in acrylic lens as standard.

LISTING:

- UL / CUL listed.
- Listed to UL 1598 and UL 8750.
- UL listed for dry & damp location.
- CEC Compliant EM (please contact for more information)
- Assembled in USA (optional).
- BAA compliant (optional).
- BABA compliant (optional).²¹
- Trade Agreements Act compliant (optional).
- 5 years limited warranty.⁵
- 7 or 10 years limited warranty. (optional)⁵
- Bluetooth Mesh System available, please contact factory for more information.

CONFIGURATIONS



Series	Size	Model #	AC Input	Lumen Output (4000K)	Lumen Efficiency (4000K)
CUBE1	2'	D9L	4.95W	544.5 lm	110 lm/W
		D18L	9.9W	1089 lm	
		D27L	14.85W	1633.5 lm	
		D36L	19.8W	2178 lm	
	3'	D9L	7.4W	814 lm	
		D18L	14.85W	1633.5 lm	
		D27L	22.2W	2442 lm	
		D36L	26.4W	2904 lm	
	4'	D9L	9.9W	1089 lm	
		D18L	19.8W	2178 lm	
		D27L	29.7W	3267 lm	
		D36L	39.6W	4356 lm	
	6'	D9L	14.85W	1633.5 lm	
		D18L	29.7W	3267 lm	
		D27L	44.55W	4900.5 lm	
		D36L	59.4W	6534 lm	
8'	D9L	19.8W	2178 lm		
	D18L	39.6W	4356 lm		
	D27L	59.4W	6534 lm		
	D36L	79.2W	8712 lm		

CCT	Multiplier		
	3000K	3500K	5000K
Down only	0.9642	0.9822	1.0357


CUBE1-PR

ORDERING INFORMATION

EXAMPLE: CUBE1-PR-IND-4-D18L-40K-FT-UNV

MODEL	ROW ¹	SECTION ²	LED Downlight (per/4ft section)	DISTRIBUTION	COLOR TEMP.	CRI
CUBE1-PR-IND (Individual Mount)	xx' Specify nominal overall row length in 1' increments	2 2' Length 3 3' Length 4 4' Length 5 5' Length 6 6' Length 8 8' Length ³	D9L 9W LED (272 lm/ft) D18L 18W LED (544 lm/ft) D27L 27W LED (816 lm/ft) D36L 36W LED (1089 lm/ft) Dxx Custom lumen or watt: _____ LM or _____ W	(Blank) Flushed (Std.)  ASY Asymmetric 	-27K 2700K ⁹ -30K 3000K -35K 3500K -40K 4000K -50K 5000K	(Blank) 80+ CRI C9 90+ CRI ⁸
CUBE1-PR-CON (Continuous Row Mount)						
* Number of circuit(s) should be determined by the customer prior to ordering the continuous run considering the AC input voltage and total run wattage.						
CUBE1-PR-CM (Custom)	Must provide a sketch on the last page		* Max up to 4356lm or 36W per 4ft section			

SHIELDING		FLANGE TYPE		MOUNTING		VOLTAGE		EM SECTION ⁴		FINISH	
(Blank) Flushed Lens (Std.) 2RG 2" regressed 4RG 4" regressed		(Blank) Fixed (Std.) ¹⁷ NF Non-flanged side for flushed wall installation.		G1 9/16", 15/16", 1" T-bar Ceiling Grid ¹² SS 9/16" Screw Slot, 9/16" T-bar with Tegular tile ceiling ¹² FT Standard 1/2" Flange ^{13, 17} SF Spackle Flange (Trimless) ^{13, 17}		UNV 120-277V 120 120V 277 277V 347 347V ¹⁴		(Blank) None EM 1SE 1 Section 2SE 2 Section xSE x Section		(Blank) Matte White RAL #9003 (Std.) *BK Black RAL #9011 *SV Silver (RAL #9002) **CC Custom Color ¹⁰ *AMB Anti-Microbial Coating (Matte Skye White)	
* Non-standard finish with extra charge. ** CC: additional charge & set up fee. Provide RAL# code.											

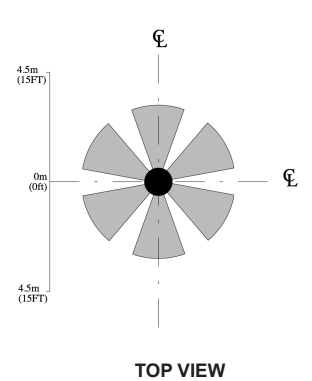
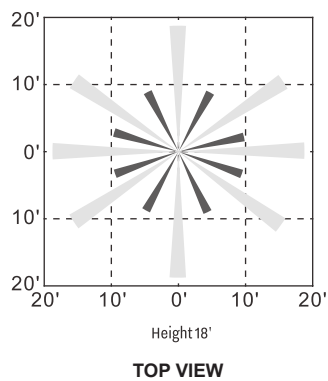
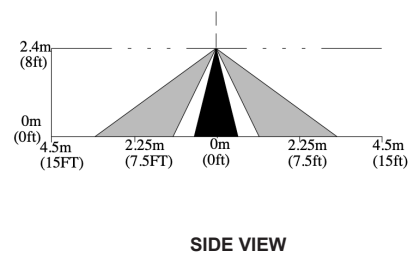
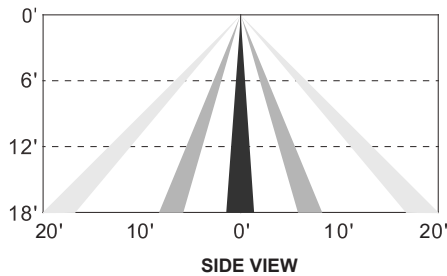
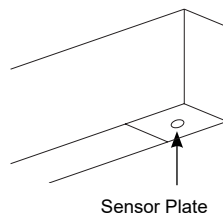
LED DRIVER	
(Blank) 0-10V dim to 1% (Std.) (dim both uplight and downlight simultaneously) ES566 eldoLED SOLOdrive Natural Dimming to dark, 0-10V, 100% ~ 0.1% dim SD40 40% / 100% Bi-Level Step dim SDXX XX% / 100% Bi-Level Step dim (Specify XX : 10% ~ 70%) PHSR Philips Xitanium Sensor-Ready, DALI 5%~100% dim. PHDL Philips Xitanium DALI driver, Dim to 5% TDM Triac Dim. (120V only) TD30/70 30% / 70% / 100% Tri-Level Step dim	TDXX/YY XX% / YY% / 100% Tri-Level Step dim (Specify XX, YY : 10% ~ 70%) LDE1 Hi-lume 1% EcoSystem LED driver with Soft-on, Fade-to-Black dimming technology, 100% ~ 1% dim ELV compatible (reverse-phase or trailing-edge), (120V only) ELV 0-10V DIM-TO-OFF DTO  BLT Bluetooth Mesh System (contact factory for more information)

OPTIONS	LIGHTING CONTROL SYSTEM
HC90-11 90° Horizontal Lit Connector, 1'x1' ¹⁶ HC90-12 90° Horizontal Lit Connector, 1'x2' ¹⁶ HC90-21 90° Horizontal Lit Connector, 2'x1' ¹⁶ HC90-22 90° Horizontal Lit Connector, 2'x2' ¹⁶ HC135-22 135° Horizontal Lit Connector, 2'x2' ¹⁶ EMG8 8W EM Battery Backup (CEC Compliant EM) ^{6, 15} EMG15 15W EM Battery Backup (CEC Compliant EM) ^{6, 15} EMG20 20W EM Battery Backup (CEC Compliant EM) ^{6, 15} EMG25 25W EM Battery Backup (CEC Compliant EM) ^{6, 15} ELCU-200 Fail-to-on Emergency lighting, UL924 ⁷ F1 Single fuse for 120V/277V/247V F2 Double fuse for 208V/240V ARRA Assembled in USA BAA BAA(Buy American Act) compliant BABA BABA (Build America Buy America) compliant ²¹ TAA Trade Agreements Act compliant O7W Optional 7 Years Limited Warranty ⁵ O10W Optional 10 Years Limited Warranty ⁵ ADPMS Bluetooth Mesh Wireless Sensor. Occupancy /Day-light harvesting / 0-10V Dimming ^{18, 19} AVI-DC-CS2-PIR PIR occupancy / vacancy / daylight harvesting / bi-level sensor E1F End feed on one end (Pre-drilled hole for 1/2" fitting) E2F End feed on both ends (Pre-drilled holes for 1/2" fitting) J-rail-x J-rail for wall side (specify x = length of the fixture), field installation ²⁰ Z-rail-x Z-rail for fixture side (specify x = length of the fixture), pre-installed ²⁰	<Lutron> VIVE Lutron Vive Bluetooth ready options, please contact factory. ATHENA Lutron Athena Bluetooth ready options, please contact factory. <EasySense> SNS200 EasySense Fixture-mount occupancy sensing, daylight harvesting and task tuning in one device (Must be ordered with PHSR driver) ^{10, 11} RS-IR IR dongle v2.0 for EasySense control <Bluetooth> AUTANI Autani / Keilton Bluetooth control ready options. CASAMBI Casambi Bluetooth control ready options. AVI-ON Avi-On Bluetooth control ready options. * Please contact factory for Bluetooth control with sensor and other options

CUBE1-PR

NOTES:

1. Specify only when continuous row mount.
2. For continuous row only.
3. Comes with 1pc 8ft lens.
4. EM is installed in the last 4' of luminaire section. Separate section requires 2SE or specified. Must specify voltage, not available with 347V.
5. This limited warranty covers electrical parts only and does not apply to labor, equipment lease, or defect from improper installation or operation.
6. Contact factory for other emergency battery backup options. Not available with 347V.
7. Shipped separately.
8. Lumen per watt is approximately 15% fewer than standard CRI (80+).
9. Available with C9 (CRI 90+) only.
10. See NFC and IR manual in the separate attachment. If your phone is not compatible, please order "RS-IR" and follow the manual.
11. Refer to Advanced Grouping Datasheet for its default setting and compatible wireless switches.
12. Compatible with T-bar ceiling type.
13. Compatible with hard ceiling type.
14. Not available EM battery backup.
15. May be remote mounted up to 3ft configuration. Remote box by others.
16. Refer to separate CUBE2-HC90 spec sheet to find more information.
17. (2) 3/8" rod, by others, installation is standard (refer to the installation instructions for more details).
18. Only available with standard 0-10V LED driver.
19. Default setting from the factory is "occupancy enabled, Daylight disabled". To enable Daylight, disable occupancy and enable daylight in the field prior to installation.
20. Not available with -NF mounting type.
21. Not all configuration may be available. Please check with factory.



ADPMS coverage pattern

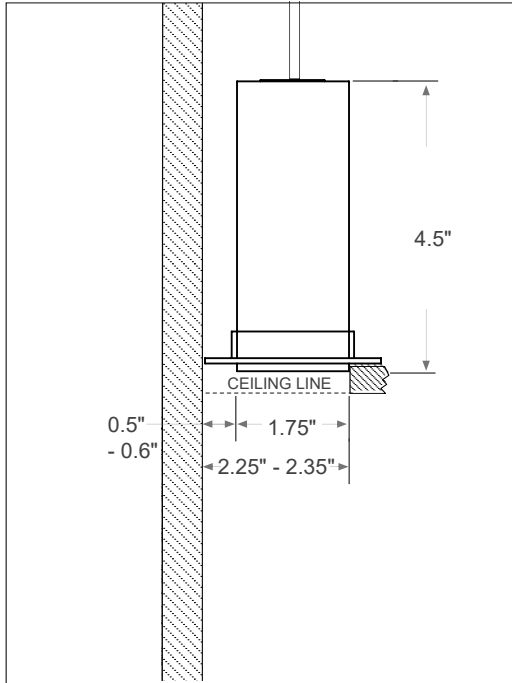
AVI-DC-CS2-PIR coverage pattern



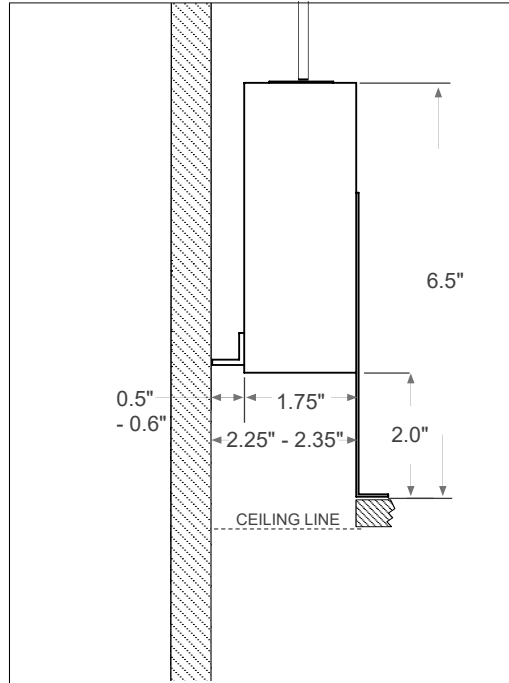
CUBE1-PR

-FT mounting dimensions & details

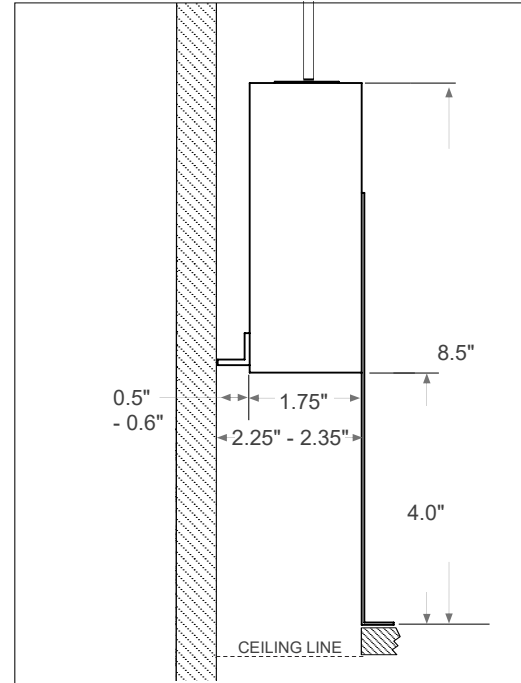
⚠ Luminaire must be installed prior to drywall.
 * 3/8" Rod by others.



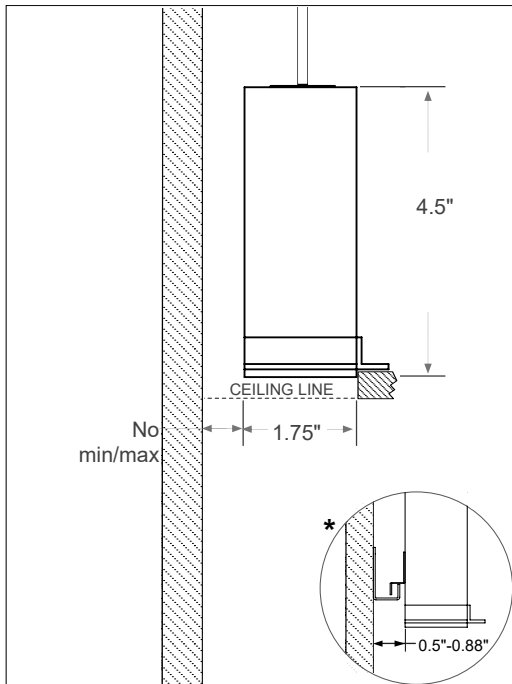
Flushed Lens w/ Fixed* mounting type (std.)
 (1/2" flange on both sides)



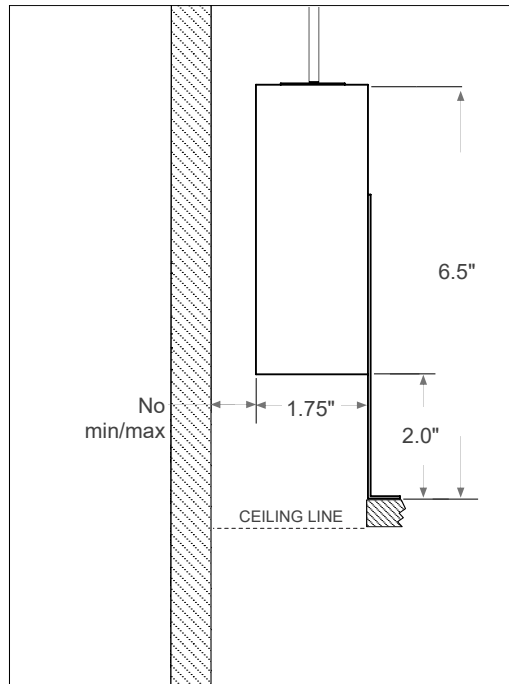
2" Regressed Lens w/ Fixed* mounting type
 (1/2" flange on both sides)



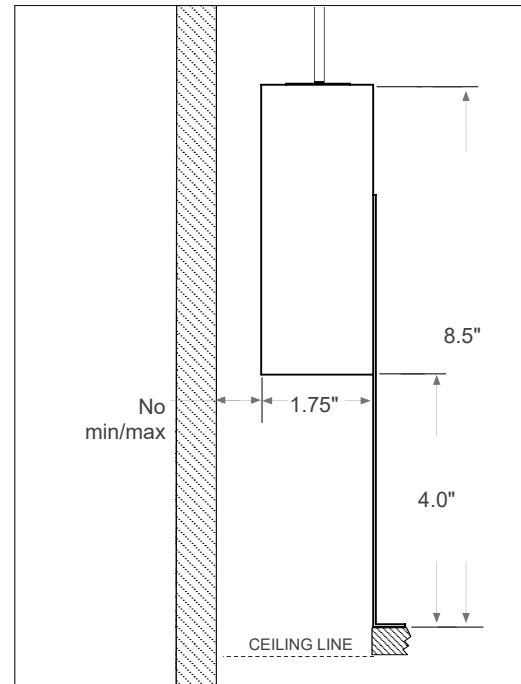
4" Regressed Lens w/ Fixed* mounting type
 (1/2" flange on both sides)



Flushed Lens w/ NF* mounting type (std.)
 (1/2" flange on one side)
 * J-rail & Z-rail can be ordered separately




2" Regressed Lens w/ NF* mounting type
 (1/2" flange on one side)
 * J-rail & Z-rail can be ordered separately

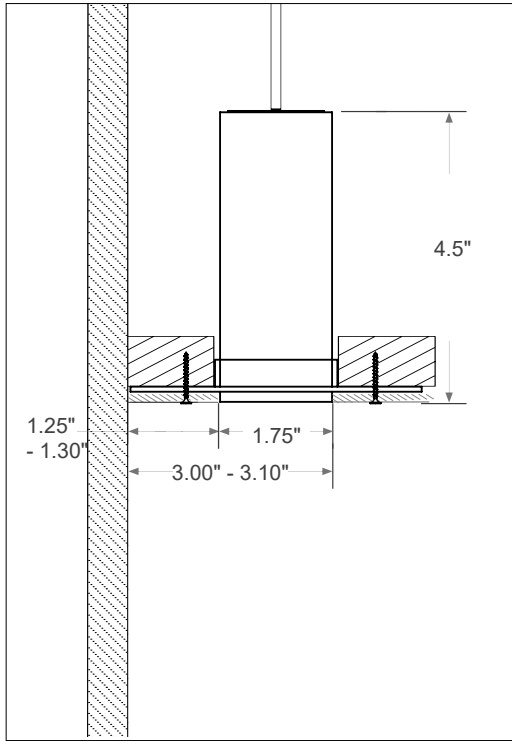


4" Regressed Lens w/ NF* mounting type
 (1/2" flange on one side)
 * J-rail & Z-rail can be ordered separately

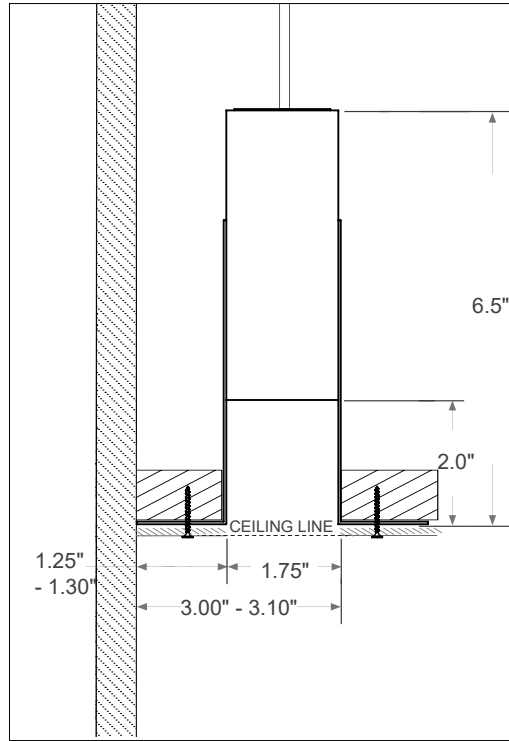
CUBE1-PR

-SF mounting dimensions & details

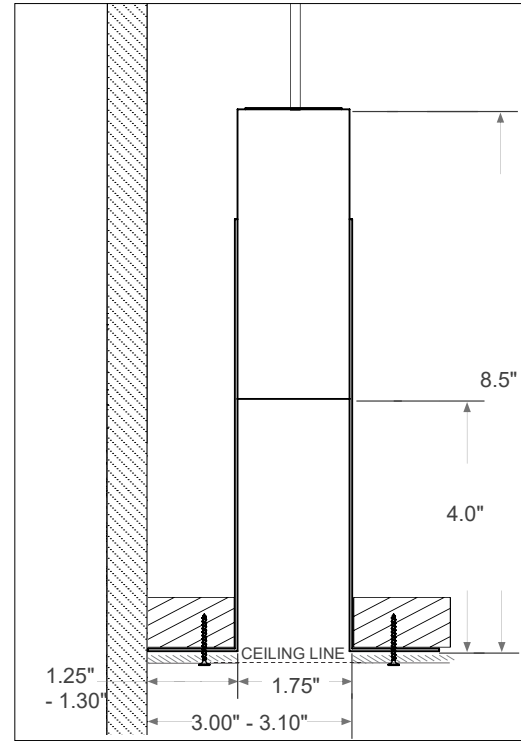
 Luminaire must be installed prior to drywall.
* 3/8" Rod by others.



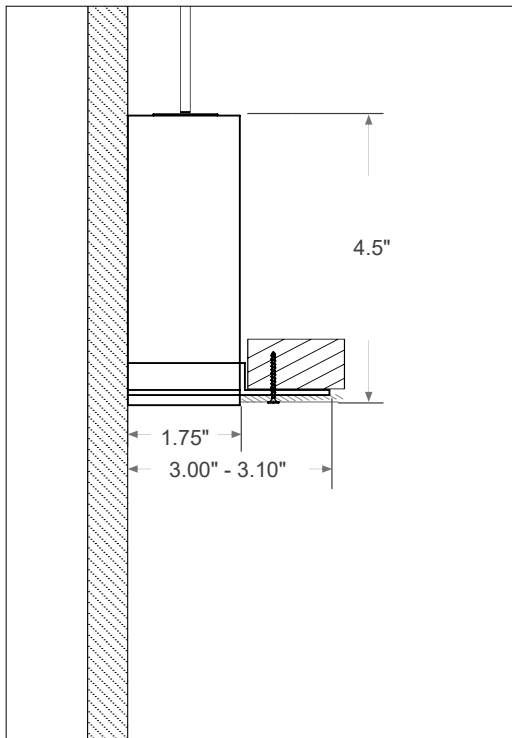
Flushed Lens w/ Fixed* mounting type (std.)
(1-1/4" flange on both sides)



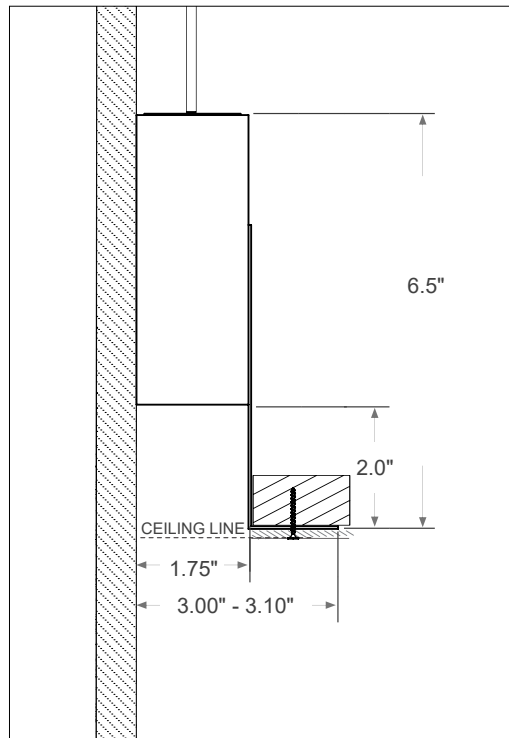
2" Regressed Lens w/ Fixed* mounting type
(1-1/4" flange on both sides)



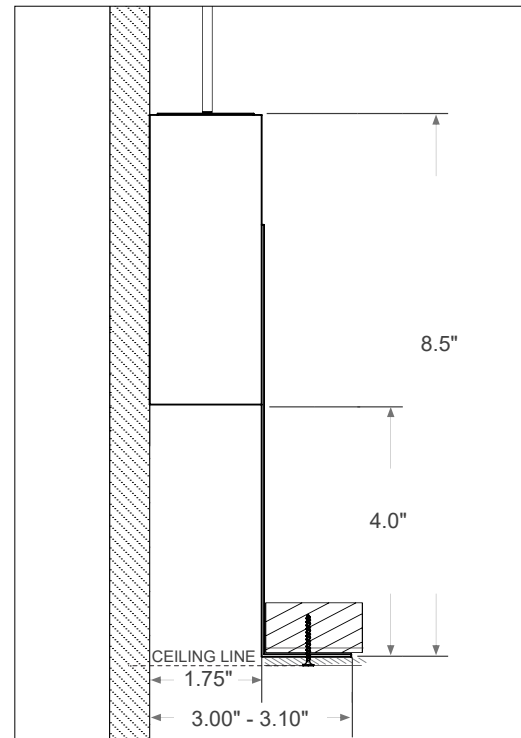
4" Regressed Lens w/ Fixed* mounting type
(1-1/4" flange on both sides)



Flushed Lens w/ NF* mounting type (std.)
(1-1/4" flange on one side)



2" Regressed Lens w/ NF* mounting type
(1-1/4" flange on one side)

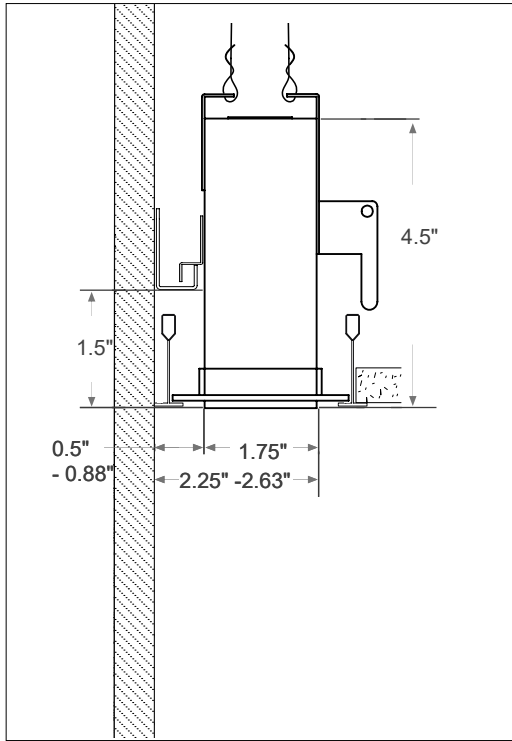


4" Regressed Lens w/ NF* mounting type
(1-1/4" flange on one side)

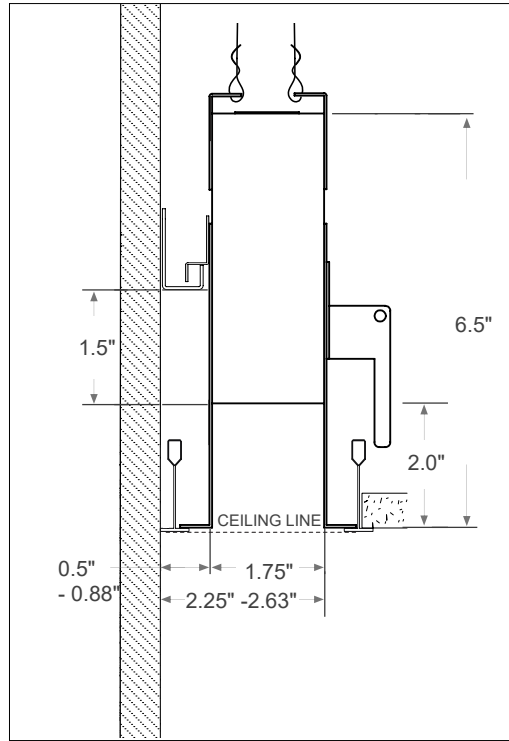
CUBE1-PR

-G1 mounting dimensions & details

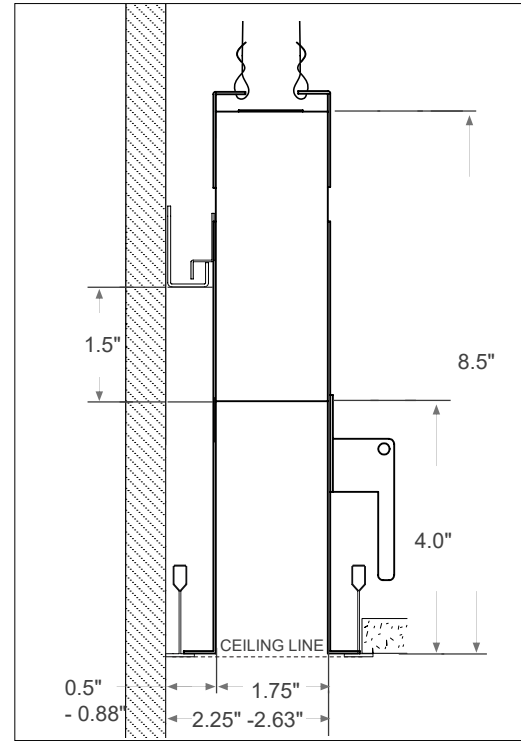
- ⚠ * J-rail provided (ship separate), Z-rail pre-installed.
- * Safety cable by others.



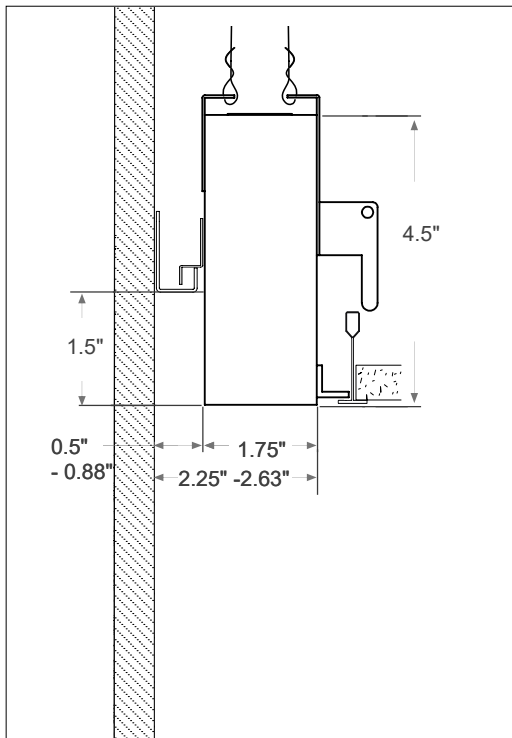
Flushed Lens w/ Fixed* mounting type (std.)
(1/2" flange on both sides)



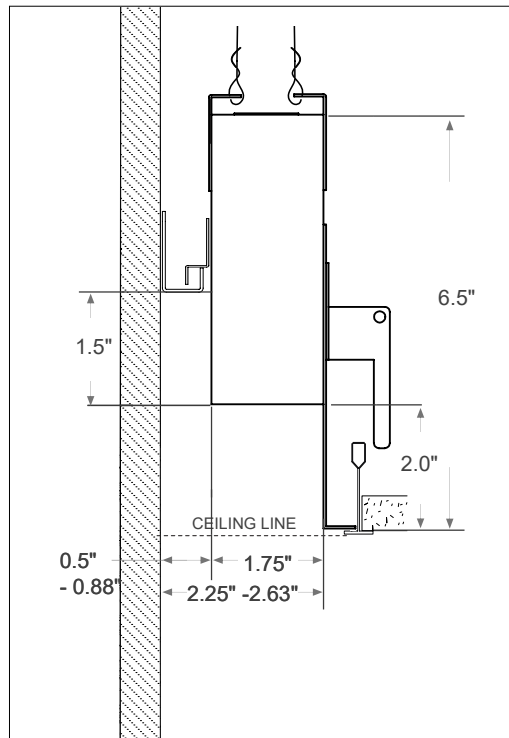
2" Regressed Lens w/ Fixed* mounting type
(1/2" flange on both sides)



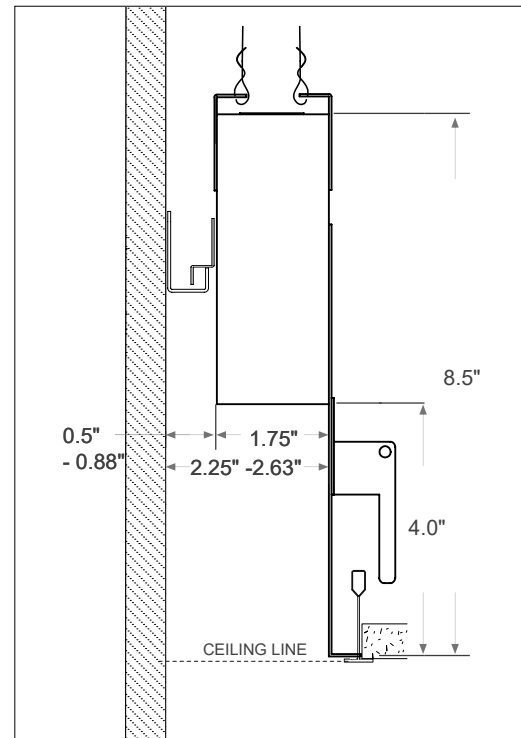
4" Regressed Lens w/ Fixed* mounting type
(1/2" flange on both sides)



Flushed Lens w/ NF* mounting type (std.)
(1/2" flange on one side)



2" Regressed Lens w/ NF* mounting type
(1/2" flange on one side)

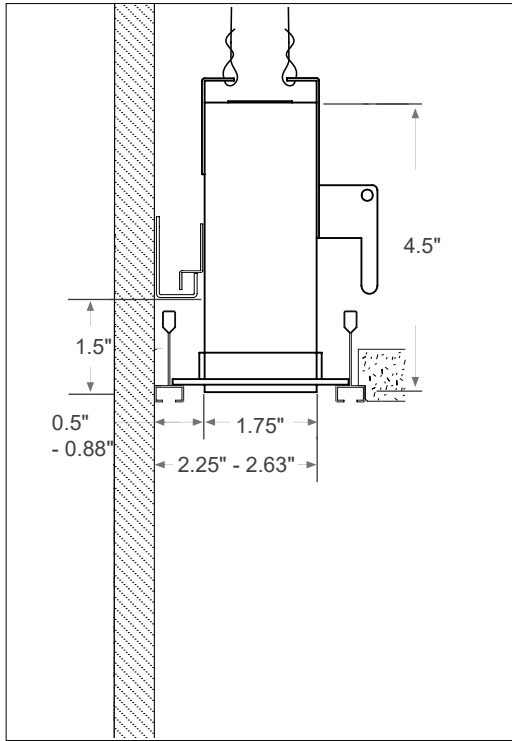


4" Regressed Lens w/ NF* mounting type
(1/2" flange on one side)

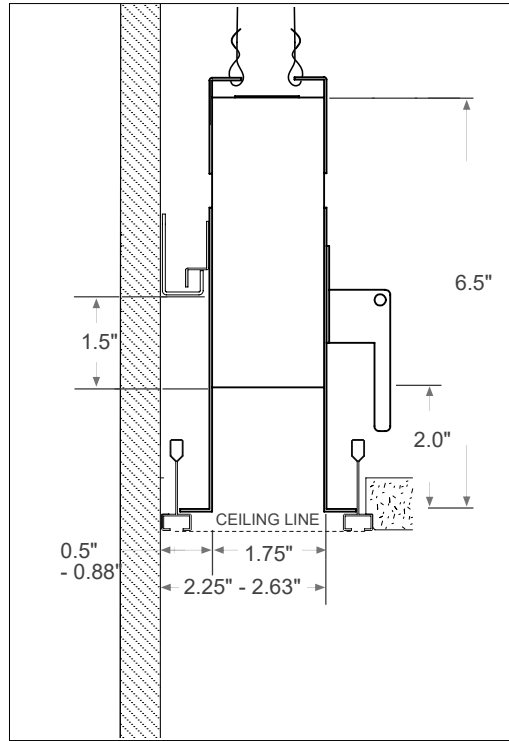
CUBE1-PR

-SS mounting dimensions & details

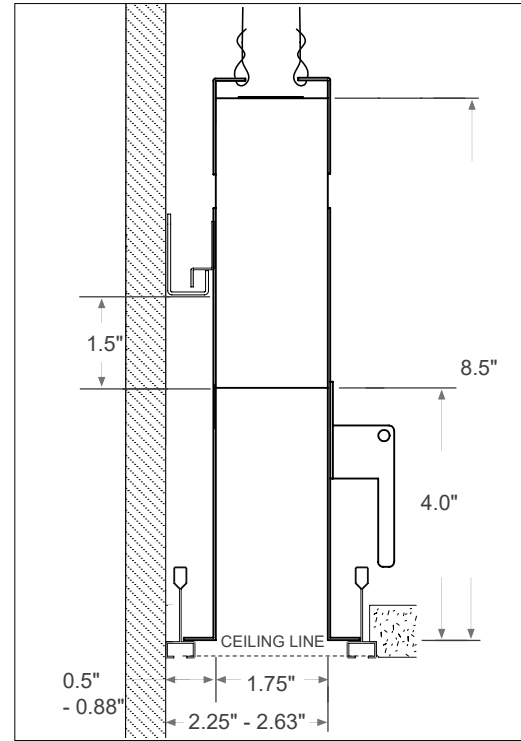
- ⚠ * J-rail provided (ship separate), Z-rail pre-installed.
- * Safety cable by others.



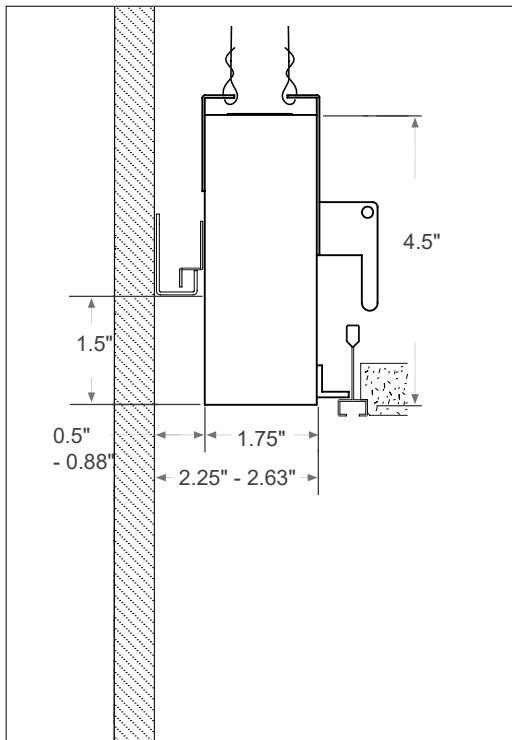
Flushed Lens w/ Fixed* mounting type (std.)
(1/2" flange on both sides)



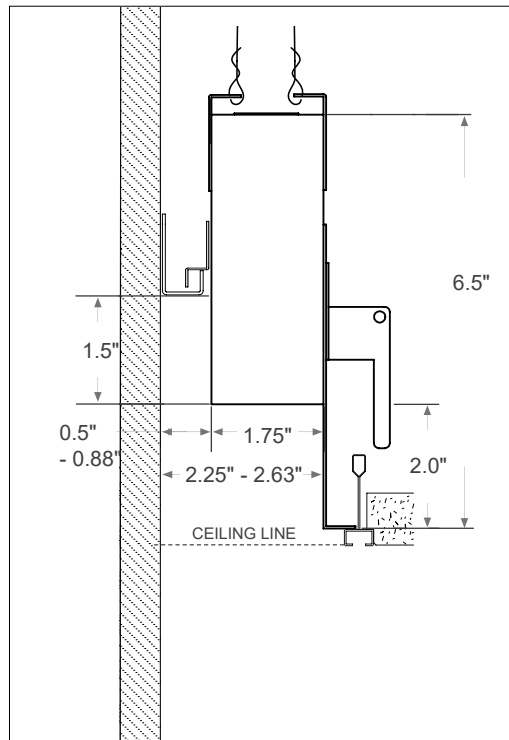
2" Regressed Lens w/ Fixed* mounting type
(1/2" flange on both sides)



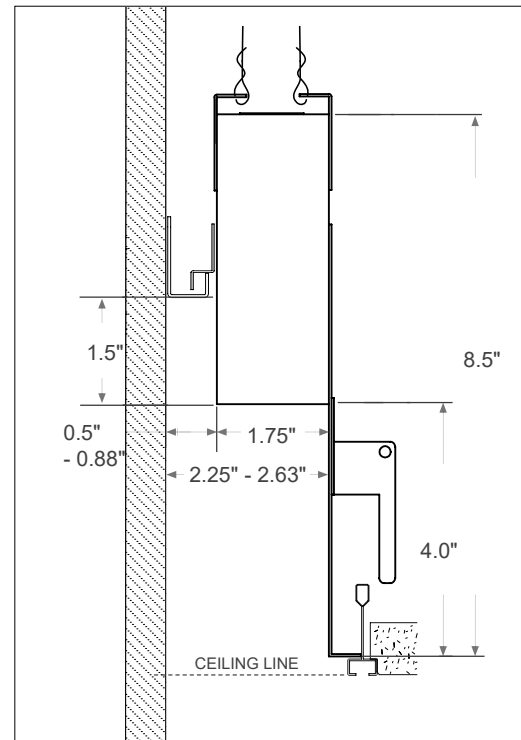
4" Regressed Lens w/ Fixed* mounting type
(1/2" flange on both sides)



Flushed Lens w/ NF* mounting type (std.)
(1/2" flange on one side)



2" Regressed Lens w/ NF* mounting type
(1/2" flange on one side)



4" Regressed Lens w/ NF* mounting type
(1/2" flange on one side)

CUBE1-PR

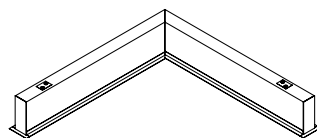
COMPATIBLE DIMMER SWITCH (TABLE 1)

Model #	Brand	Compatible Dimmer Switch	
(Blank)	-	<Leviton>	IP710-LFZ
		<Lutron>	Visit www.lutron.com/advance for a list of dimmers (Mark VII) that will work with this driver.
ES566	eldoLED SOLOdrive	<Busch-Jaeger>	2112U-101
		<Jung>	240-10
		<Leviton>	IllumaTech - IP710-DLX
		<Lightoller Controls>	ZP600FAM120
		<Merten>	5729
		<Pass & Seymour>	CD4FB-W
		<Wattstopper>	DCLV1
		<Sensor Switch>	nIO EZ
		<Synergy>	ISD BC
		<ABB>	SD/S 2.16.1
		<Lutron>	Nova T: NTFTV Diva - DVTV-xx, NFTV GRAFIK Eye: GRX-TVI w GRX3503 Energy Savr Node: QSN-4T16-S TVM2 Module
<Crestron>	GLX-DIMFLV8, GLXP-DIMFLV8, GLPAC-DIMFLV4-*, GLPAC-DIMFLV8-*, GLPP-DIMFLVEX-PM, GLPP-1DIMFLV2EX-PM, GLPP-1DIMFLV3EX-PM, DIN-AO8, DIN-4DIMFLV4, CLS-EXP-DIMFLV, CLCI-1DIMFLV2EX		
LDE1	Lutron Hi-lume 1% EcoSystem	<Lutron>	PowPak Dimming Modules: RMJ-ECO32-DV-B, FCJ/FCJS-ECO ^{1,2} Energi Savr Node (120V only): QSN-1ECO-S, QSN-2ECO-S GRAFIK Eye QS/Homeworks QS control unit (120V only): QSGRJ- _E(wireless) QSGR- _E Quantum Hub (120V only): QP2- _ _2C/4C/6C/8C Homeworks QS/myRoom Plus power module (120V only): LQSE-2ECO-D
PHSR ³	Philips Xitanium Sensor-Ready	<Illumra>	<u>Single Rocker Self-Powered Light Switch (on/off, dim-up/down)</u> Illumra# ZBT-S1AWH Digi-Key# 1082-1033-ND <u>Dual Rocker Self-Powered Light Switch (on/off, dim-up/down, scene1,2)</u> Illumra# ZBT-S2AWH Digi-Key# 1082-1034-ND
TDM	KEYSTONE	<Lutron>	Diva DV-600P, SkyLark S-600P, Ariadni AY-600P, Ariadni TG-603P, Maestro MA-600 (Digital), Diva CFL/LED DVCL-153P, Satin Colors DVSC-600P-SW
		<Leviton>	6641, IllumaTech IP106-1LX, ToggleTouch TGI06-1LW (Digital)
ELV	KEYSTONE	<Lutron>	MAELV-600BL (Digital), DVELV-300P, SkyLark SELV-300P

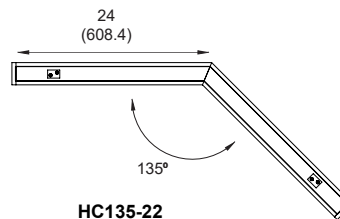
NOTES:

- All devices connected to one FCJ/FCJS-ECO will be controlled together. Devices will dim to the same level as the result of a control command. For more detail on adjusting low-end light level refer to Application Note#556 at www.lutron.com.
- For the Line/Hot (L/H) terminal on the driver, it is preferred not to use the switched hot (red) wire from the control but rather the hot wire directly from the power source.
- Recommended for EasySense System.

- LIT CORNER



HC90-11
HC90-12
HC90-21
HC90-22



HC135-22

ARCHITECTURAL LINEAR PERIMETER

CUBE1 LIT CONNECTOR PATTERNS

The lit connector system allows continuous illumination all the way through the corner section.

Instruction:

- Please provide sketches illustrating corner types, overall dimensions including corner dimensions (based on wall-to-wall dimensions) and power locations required.
- HC90 connectors have 90 degree corners (overall, outside dimension).

