

LED POST TOP LIGHT

Installation Guide

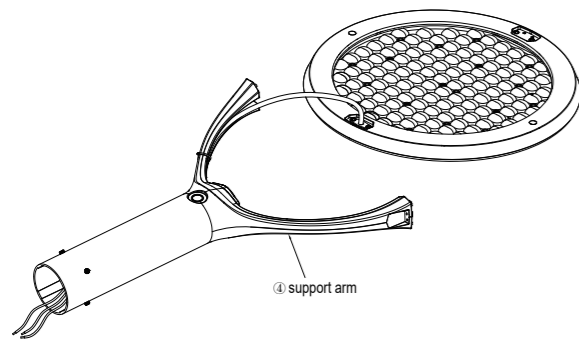
WARNING

PLEASE READ ALL INSTRUCTIONS BEFORE ATTEMPTING INSTALLATION

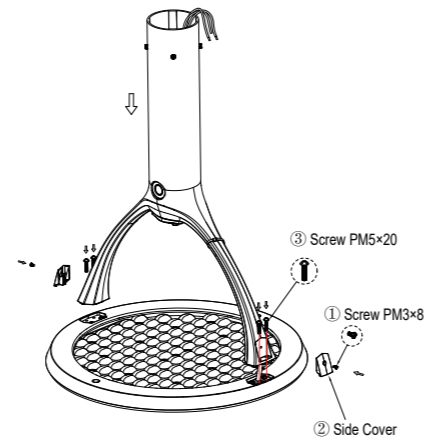
- To prevent personal injury or product damage only licensed electricians should install.
- To avoid electric shock or component damage disconnect power before attempting installation or servicing.
- This product must be installed in accordance with the national electrical code (NEC) and all applicable federal, state and local electrical codes and safety standards.
- Disconnect product and allow cooling prior to servicing.
- Any alteration or modification of this product is expressly forbidden as it may cause serious personal injury, death, property damage and/or product malfunction.
- To prevent product malfunction and/or electrical shock this product must be properly grounded.
- Suitable for operation in ambient temperatures ranging from -40°C to 40°C.
- This product must be installed in accordance with the applicable installation code by a person familiar with the construction and operation of the product and the hazards involved.
- This product is not available for several special environments, such as places with corrosive gas liquids or high pressure water vapor.

Installation Guide

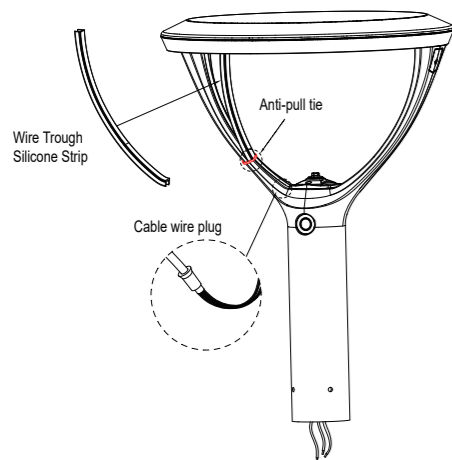
Step 1: Take out the lamp body together with the support arm from the packaging box at the same time. (Note: The lamp body and the support arm are connected by a cable. Pay attention to protecting the cable from being pulled).



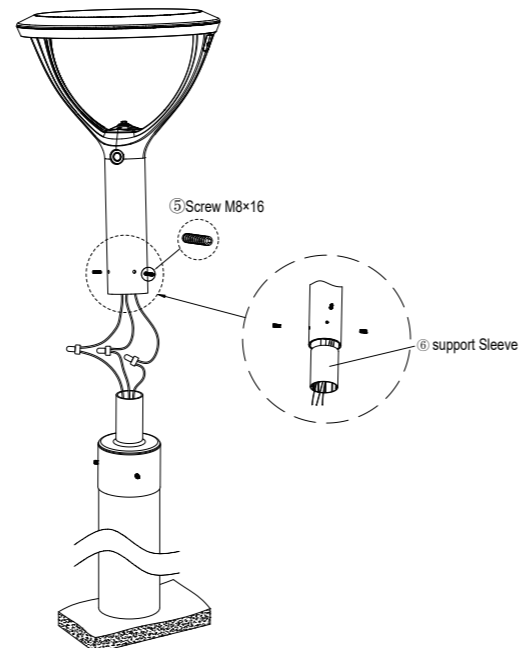
Step 2: Assemble the support arm with the lamp body and screw with 4 pcs of PM5×20 screws; assemble the side cover and tighten the 2 pcs PM3×8 screws. (Tool: Phillips screwdriver).



Step 3: Use scissors to cut the anti-pull cable tie, take out the silicone strip of the wire slot, and tidy up the cables and rubber plugs. Pay attention to making sure the silicone strip fully covers the wire slot of the support arm, and no power cord is exposed.



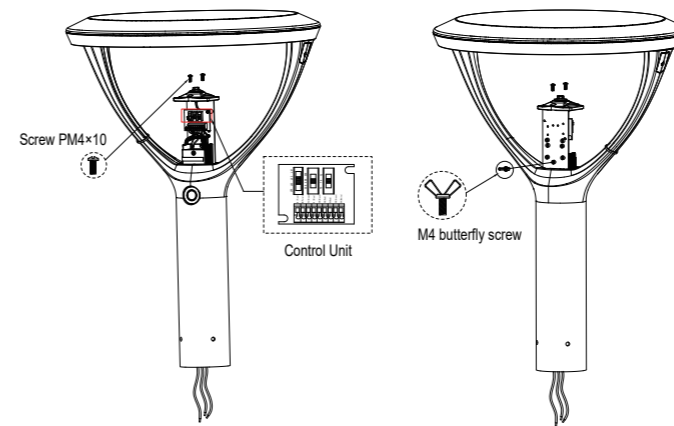
Step 4: Secure the support sleeve to the bottom of the support arm using four M8×16 screws, connect the power supply, assemble the lamp body, and then tighten these four screws to fully secure the lamp body. This completes the installation.



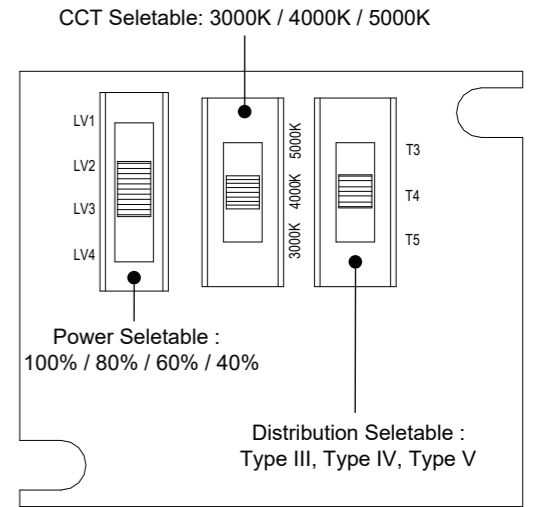
Mount Type	Accessory	Specifications	Quantity
Post Top	① Screws	PM3*8	2
	② Side Cover	L36.7W29.2H12.4	2
	③ Screws	PM5*20	4
	④ support arm	L589.4W439.5T90	1
	⑤ Screws	M8*16 Set Screws	4
	⑥ support Sleeve	OD75ID61.5H120	1

Power, CCT and distribution selectable version

Loosen the PM4×10 screws (tool: <7" Phillips screwdriver), pull out the driver mounting plate, install the M4 butterfly screw to prevent the driver mounting plate from falling, and loosen the M4 butterfly screw to reinstall the driver after the selection of power/CCT/distribution is completed.

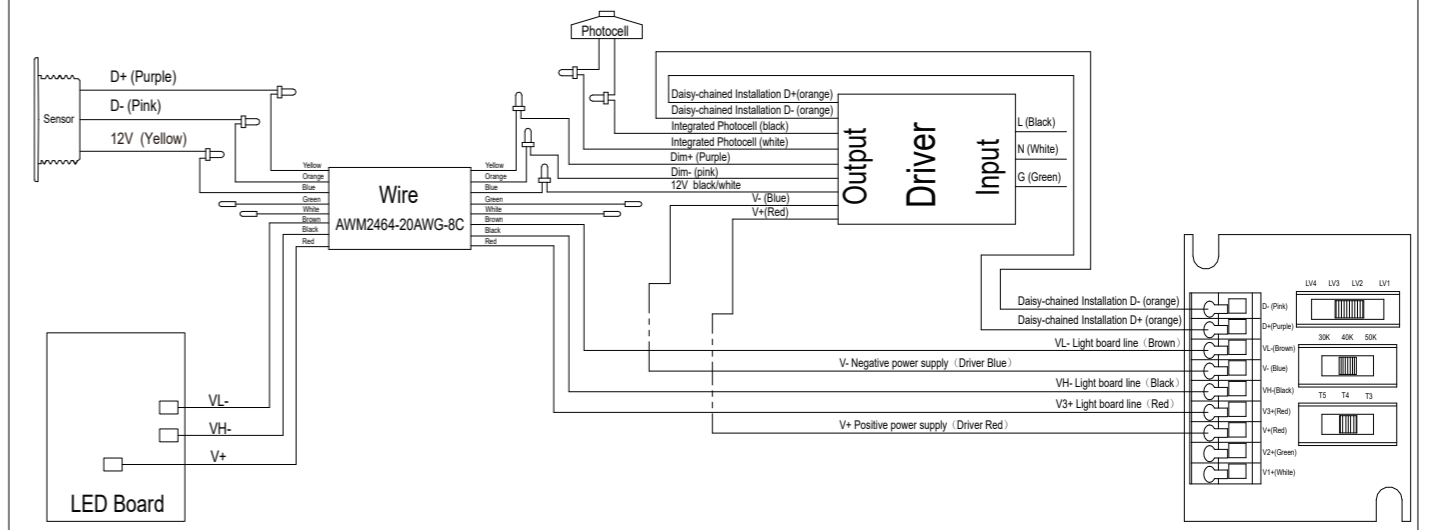


Warning: It is necessary to cut off the power supply!

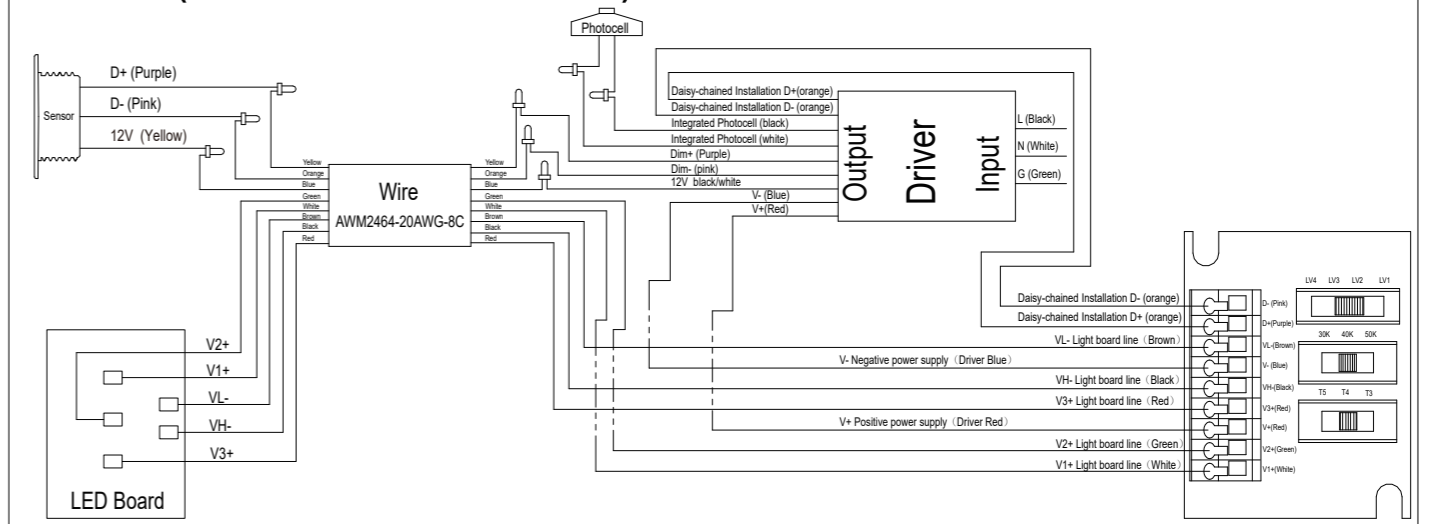


WIRING DIAGRAM

Frosted Diffuser/Prismatic Diffuser

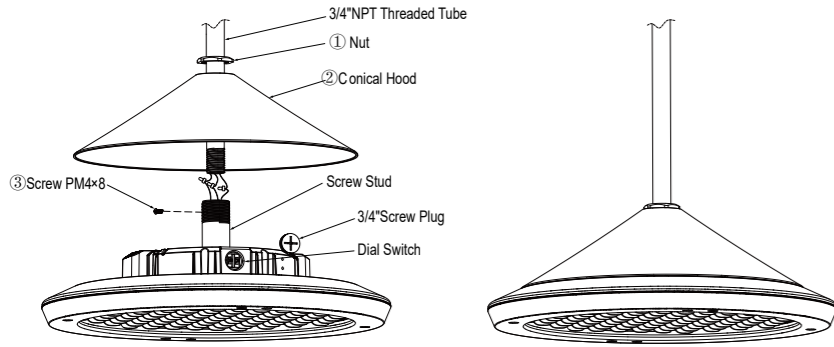


LENS (T3/T4/T5 Seletable)



Conduit Pendant Mount

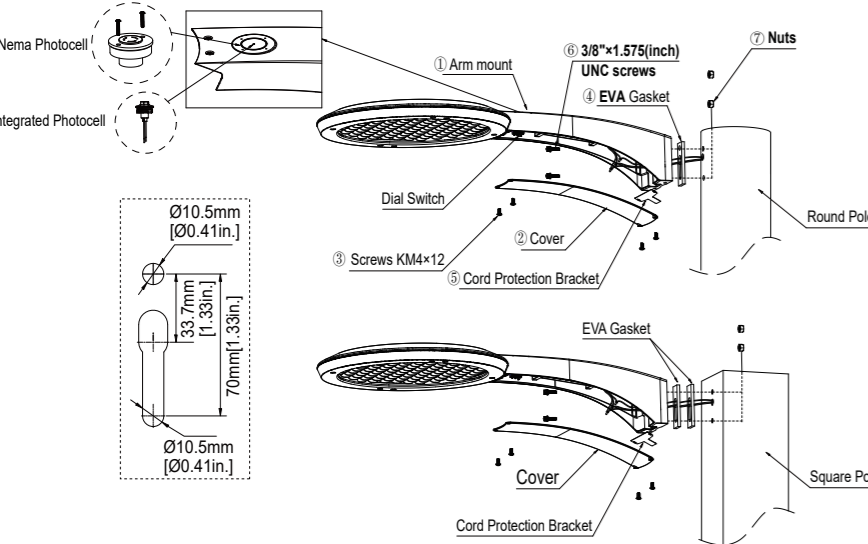
1. Insert the nut and conical hood into the 3/4"NPT threaded tubes (supplied by others) in sequence, as shown in the figure.
 2. Complete the wiring (Black for Line, White for Neutral, and Green for Ground).
 3. Thread the screw stud on the fixture into the 3/4"NPT threaded tubes and secure them with PM4×8 screw.
 4. Remove the 3/4" screw plug on the side of the power box. Turn the dial switch to select appropriate wattage, color temperature, and light distribution, then reinstall the 3/4" screw plug.
 5. Tighten the nut to secure the conical hood and fixture, completing the installation.
- NOTE: Does not support Photocell.



Mount Type	Accessory	Specifications	Quantity	
Conduit Mounting	①	Nut	L48.5W43.3H6	1
	②	Conical Hood	D370H107	1
	③	Screws	PM4×8	1

Square/Round Pole Mounting

1. Loosen the four KM4×12 screws and remove the cover.
2. Adhere the EVA gasket to the support arm (Use an EVA gasket for round poles and two EVA gaskets for square poles.) and secure the fixture to the round pole or square pole with two 3/8"×1.575UNC screws and nuts, as shown in the figure.
3. Route the cable through the wiring hole into the mounting bracket to Complete the wiring (Black for Line, White for Neutral and Green for Ground).
4. Turn the dial switch to select appropriate wattage, color temperature, and light distribution.
5. Reinstall the cover to complete the installation.

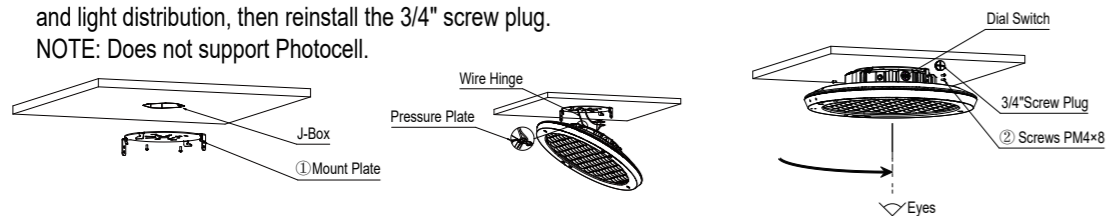


Mount Type	Accessory	Specifications	Quantity	
Round Mounting	①	Arm mount	L437.17W139.96H156	1
	②	Cover	L369.3W129.3H3	1
	③	Screws	KM4×12	4
	④	EVA Gasket	L101W30H5(B),40"EVA	1
	⑤	Cord Protection Bracket	L127.7T0.5	1
	⑥	Bolts	3/8" ×1.575"Stainless Steel Hexagon head bolt	2
	⑦	Nuts	3/8" Nuts	2

Mount Type	Accessory	Specifications	Quantity	
Square Mounting	①	Arm mount	L437.17W139.96H156	1
	②	Cover	L369.3W129.3H3	1
	③	Screws	KM4×12	4
	④	EVA Gasket	L101W30H5(B),40"EVA	2
	⑤	Cord Protection Bracket	L127.7T0.5	1
	⑥	Bolts	3/8" ×1.575"Stainless Steel Hexagon head bolt	2
	⑦	Nuts	3/8" Nuts	2

Surface Mounting

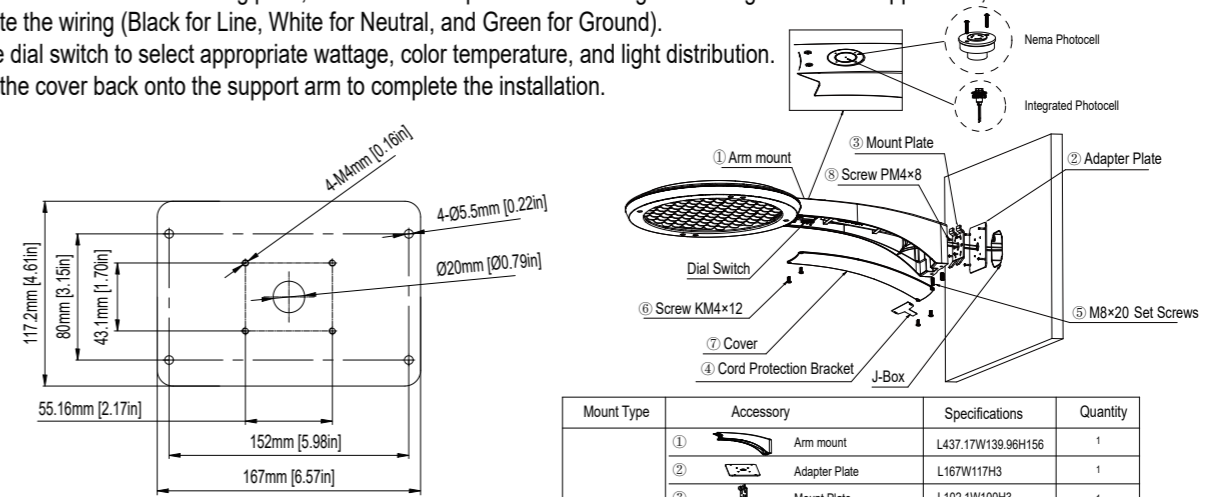
1. Secure the mounting plate to the J-Box with two M4 screws (supplied by others).
 2. Hang the fixture to the mount plate by the Wire hinge.
 3. Complete the wiring (Black for Line, White for Neutral, and Green for Ground).
 4. Insert the luminaire into the mounting plate and rotate it clockwise, so that the mounting plate engages with the pressure plate of the power supply box, ensuring the luminaire does not dislodge.
 5. Secure the fixture and mounting plate with four PM4×8 screws.
 6. Loosen the 3/4" screw plug on the side of the power box, as shown. Turn the dial switch to select appropriate wattage, color temperature, and light distribution, then reinstall the 3/4" screw plug.
- NOTE: Does not support Photocell.



Mount Type	Accessory	Specifications	Quantity	
Surface Mounting	①	Mount Plate	D190H40T2	1
	②	Screws	PM4×8	4

Wall Mount

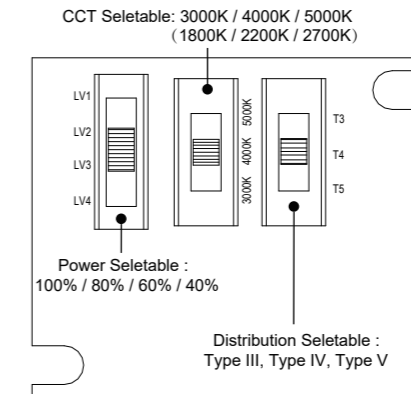
1. Secure the mounting plate and the adapter plate with M4×8 screws.
2. Align the outlet hole of the adapter plate with the center of the junction box, fix it to the wall with M5 screws (supplied by others), and lead the mains wires out from the mounting plate.
3. Loosen the four KM4×12 screws and remove the cover of the support arm.
4. Insert the fixture into the mounting plate, route the mains power cable through the wiring hole in the support arm, and secure it with two M8×20 setscrews.
5. Complete the wiring (Black for Line, White for Neutral, and Green for Ground).
6. Turn the dial switch to select appropriate wattage, color temperature, and light distribution.
7. Secure the cover back onto the support arm to complete the installation.



Mount Type	Accessory	Specifications	Quantity	
Wall Mounting	①	Arm mount	L437.17W139.96H156	1
	②	Adapter Plate	L167W117H3	1
	③	Mount Plate	L102.1W100H3	1
	④	Cord Protection Bracket	L127.7T0.5	1
	⑤	Screws	M8×20 Set Screws	2
	⑥	Screws	KM4×12	4
	⑦	Cover	L369.3W129.3H3	1
	⑧	Screws	PM4×8	4

Power, CCT and Distribution Setting

1. **Surface Mounting:** Loosen the 3/4" screw plug on the side of the power box. Turn the dial switch to select appropriate wattage, color temperature, and light distribution, then reinstall the 3/4" screw plug.
2. **Conduit Mounting:** Loosen the nut, open the conical hood, and loosen the 3/4" plug on the side of the power box. Turn the dial switch to select appropriate wattage, color temperature, and light distribution, then reinstall the 3/4" screw plug.
3. **Wall Mounting:** Loosen the four KM4×12 screws, open the cover. Turn the dial switch to select appropriate wattage, color temperature, and light distribution, then reinstall the cover.
4. **Square/Round Pole Mounting:** Loosen the four KM4×12 screws, open the cover. Turn the dial switch to select appropriate wattage, color temperature, and light distribution, then reinstall the cover.



Warning: It is necessary to cut off the power supply!

WRING DAGRAM

WITHOUT EMERGENCY BATTERY

LED FIXTURES	Color	Wiring
	Black	Line
	White	Neutral
	Green	Ground

WITH EMERGENCY BATTERY

LED FIXTURES	Color	Wiring
	Red	AC line(24/7)
	Black	AC line switch
	White	Neutral
	Green	Ground