

DW LED

| | |
|---------------|--|
| Project Name: | |
| Type: | |



CASAMBI

APPLICATION

LED premium grade enclosed and gasket fixture. For use in both indoor and outdoor applications where dust and moisture resistance and other non-hazardous contaminants. It is often used in refrigerated areas, food processing facilities, kitchens, parking garages, car washes, schools, government facilities, public areas and industrial spaces with low to medium mounting heights.

FEATURES:

- UV-stabilized, Fully gasket fiberglass upper body with cold-rolled steel white finish reflector(wireway) and a high-impact acrylic DR crepe pattern LENS, securely positioned in a permanent, IP 65 and IP67 continuous poured in place sealing gasket.
- Internal crepe pattern allows a smooth exterior surface, clear crepe shallow lens acrylic DR or polycarbonate.
- The lens and upper components are locked into place by retaining latches, assuring a secure and tight seal.
- Captive non-metallic snap-action latch cam secures lens to housing. Optional stainless steel latch.
- White end plugs 7/8" Housing end holes (2) - Snaps and locks tight to maintain tight seal of unused end holes.
- Smooth edges for easy handling.
- Tamper resistant (TR) option prevents the lens from being removed by unauthorized personnel. Tamper proof driver cat. #TPDT required (sold separately).

MOUNTING:

- Chain, swivel stem and surface mounting.
- Mounting brackets provided. (Stainless steel brackets)

LED:

- Color Temperature: 2700/3000/3500/4000/5000 (K).
- LED Module: High efficiency up to 162 LPW.
- Calculated L70: 122,000 hours
- Reported L70: +60,000 hours
- Poke in wire connectors.
- Color Rendering Index: 80+

ELECTRICAL:

- High power factor electronic driver, operate from a 120~277 Vac input range, 50 / 60 Hz.
- Generic: 0-10V Dim to 10%(GR).
- Power Factor: +0.9
- Efficiency: +85%
- Ambient Operating Temperature:
-4°F (-20°C) ~ 122°F (50°C) (Std.).
-40°F (-40°C) ~ 122°F (50°C) (with LT option)
-31°F (-35°C) ~ 140°F (60°C) (with HT option)
- Constant Current, Class 2
- <ELCU-200>
- Guarantees emergency lighting remains ON or is turned on when power to the control device is lost.
- Interfaces with fire alarm panel or security system.
- "Watchdog" feature allows emergency loads to be controlled in tandem with normal power loads.
- UL listed for use in emergency circuits.

LISTING:

- F1 weatherability rating.
- UL 5V flame rating (ASTM D635-74).
- UL/CUL listed and labeled.
- Listed to UL 1598 and UL 8750.
- Suitable for damp / wet location listed.
- IP Rating: IP65 and IP67.
- CEC Compliant EM (please contact for more information)
- Made in USA.
- ARRA and BAA compliant.
- Trade Agreements Act compliant (optional).
- 5 years limited warranty.
- NSF International certified.
- U.S. Department of Agriculture.
- Canadian Standard Association.
- Bluetooth Mesh System available, please contact factory for more information.

CONFIGURATIONS

| | Model # | AC Input | Lumen Output | Lumen Efficiency |
|-----|---------|----------|--------------|------------------|
| 2FT | 18LED | 18W | 2837 lm | 157 lm/W |
| | 20LED | 20W | 3152 lm | |
| | 27LED | 27W | 4256 lm | |
| | 36LED | 36W | 5675 lm | |
| 4FT | 22LED | 22W | 3467 lm | |
| | 36LED | 36W | 5675 lm | |
| | 45LED | 45W | 7093 lm | |
| | 56LED | 56W | 8827 lm | |
| | 72LED | 72W | 11350 lm | |
| | 100LED | 100W | 15763 lm | |

: Based on 5000K.

LENS

| | 2FT | 4FT | |
|------|-----|-----|--|
| DRS | O | O | Shallow acrylic lens in crepe pattern. 15% DR |
| DRD | X | O | Deep acrylic lens in crepe pattern. 15% DR |
| ARS | O | O | Shallow acrylic lens in crepe pattern. 50% DR |
| PCS | X | O | Shallow polycarbonate lens in prismatic pattern |
| TA1F | X | O | Tapered 100% Frosted High Impact Acrylic. Frosted |
| TAH | O | O | Tapered acrylic lens with prismatic lengthwise pattern & crepe end pattern. 50% DR |
| TAM | O | O | Tapered acrylic lens with prismatic lengthwise pattern & crepe end pattern. 15% DR |

DW LED



[Tapered Lens]



[DRS Lens]

ORDERING INFORMATION

EXAMPLE: DW-4-45LED-50K-HE-UNV-DRS-GR

| MODEL | LENGTH | | LED | | COLOR TEMP. | | EFFICACY | | CRI | |
|-------|--------|-----------|---------------|----------|-------------|--------------------|-----------|----------------------|----------------|----------------------|
| DW | 2 | 2' Length | 18LED | 18W LED | -27K | 2700K ⁶ | HE | High Efficacy (Std.) | (Blank) | 80+ CRI |
| | | | 20LED | 20W LED | | -30K | | | | |
| | | | 27LED | 27W LED | -35K | 3500K | | | C9 | 90+ CRI ⁷ |
| | | | 36LED | 36W LED | -40K | 4000K | | | | |
| | | | -50K | 5000K | | | | | | |
| | 4 | 4' Length | 22LED | 22W LED | | | | | | |
| | | | 36LED | 36W LED | | | | | | |
| | | | 45LED | 45W LED | | | | | | |
| | | | 56LED | 56W LED | | | | | | |
| | | | 72LED | 72W LED | | | | | | |
| | | | 100LED | 100W LED | | | | | | |

* Contact factory for custom wattage or lumen requirement.

| VOLTAGE | | LENS ¹¹ | | LED DRIVER ⁵ | |
|------------|----------|--------------------|--|-------------------------|---|
| UNV | 120-277V | DRS | Shallow acrylic lens in crepe pattern. 15% DR (Std.) | GR | Generic, 0-10V 10% dim (Std.) |
| 120 | 120V | DRD | Deep acrylic lens in crepe pattern. 15% DR ⁴ | DM1 | Generic 0-10V 1% dim |
| 277 | 277V | ARS | Shallow acrylic lens in crepe pattern. 50% DR | SD40 | 40% / 100% Bi-Level Step dim |
| 347 | 347V | PCS | Shallow polycarbonate lens in prismatic pattern ⁴ | SDXX | XX% / 100% Bi-Level Step dim (Specify XX : 10% ~ 70%) |
| 480 | 480V | TA1F | Tapered 100% Frosted High Impact Acrylic. Frosted ⁴ | TD30/70 | 30% / 70% / 100% Tri-Level Step dim |
| | | TAH | Tapered acrylic lens with prismatic lengthwise pattern & crepe end pattern. 50% DR | TDXX/YY | XX% / YY% / 100% Tri-Level Step dim (Specify XX, YY : 10% ~ 70%) |
| | | TAM | Tapered acrylic lens with prismatic lengthwise pattern & crepe end pattern. 15% DR | ES566 | eldoLED SOLOdrive Natural Dimming to dark, 0-10V, 100% ~ 0.1% dim |
| | | | | EC | eldoLED ECOdrive 0-10V natural dim to 1% (Hybrid HydraDrive) |
| | | | | LDE1 | Hi-lume 1% EcoSystem LED driver with Soft-on, Fade-to-Black dimming technology, 100% ~ 1% dim |
| | | | | BLT | Bluetooth Mesh System (contact factory for more information) |

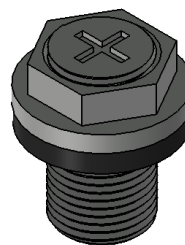
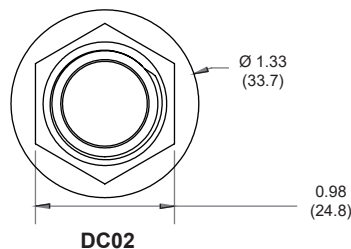
DW LED

| DISTRIBUTION | | CONTROLS | | OPTIONS | |
|--------------|----------------|---|---|--|---|
| (Blank) W | Normal Wide | WDMS RS-LRD LRD-509S-x | Wet Location Day Light Motion Sensor, Fail on Remote programmer for LRD-509S and LRS-50 9S Fixture external mount 0-10V SmartDIM or multi-level high/low dim control occupancy sensor, Fail on (*IR remote programmable), (See note 10 to select lens for "x") ^{9,12} | EMG8 EMG15 EMG20 EMG25 BSL718 | 1296 LUMEN EM Battery Backup (CEC Compliant EM) ^{3,2} 2430 LUMEN EM Battery Backup (CEC Compliant EM) ^{3,2} 3240 LUMEN EM Battery Backup (CEC Compliant EM) ^{3,2} 4050 LUMEN EM Battery Backup (CEC Compliant EM) ^{3,2} BODINE 18W EM Battery Backup (CEC Compliant) -4°F (-20°C) ~ 140°F (60°C) |
| | | LMD-109 | Fixture integrated High Frequency Doppler occupancy sensor with Bi-level dimming control, Fail on Microwave bi-level Occupancy Sensor, adjustable via DIP switch ¹³ | BSL20 | BODINE 20W EM Battery Backup (CEC compliant EM) 32°F (0°C) ~ 122°F (50°C) |
| | | HC403 | Microwave bi-level Occupancy Sensor, adjustable via DIP switch ¹³ | CWEM6 | 6W EM Cold Weather -4°F (-20°C) ~ 131°F (55°C) |
| | | EFS01RE | Fixture External mount 0-10V Bi-Level Dimming Occupancy PIR Sensor. Daylight Harvesting. (adjustable by Remote Control only-RM51) | ELCU-200 | Fail-to-on Emergency lighting, UL924 ⁸ |
| | | | | GTD | Bodine Generator Transfer Device |
| | | | | GTD10DIM | Bodine Generator Transfer Device (0-10VDC Dimmer Override) |
| | | | | CS6 | Watertight connector with 6ft water-resistant cord installed |
| | | | | PW6 | Pre-wired 6' Whip Flex #18/3 |
| | | | | AB | Two Ballast AB Switch |
| | | | | MR4 | MIRO4 Reflector (Gear Tray Reflector) |
| | | | | GLR | Fast Blow Fuse ² |
| | | | | GMF | Slow Blow Fuse ² |
| | | | | WMS | Wet Location Occupancy Sensor |
| | | | | SSL | Stainless Steel Latch |
| | | | | TRSSL | Tamper-Proof Stainless Steel Cam-Action Latch |
| | | | | TRDT | Tamper-Proof Driver Tool |
| | | | | BRKT1 | External Stud Mounting Bracket |
| | | | | BRKT2 | Pendant Mounting Bracket for 1/2" stem |
| | | | | DC021 | One end 7/8" Water Tight Die-Cast Fitting Assembly for 1/2" Rigid Conduit |
| | | | | DC022 | Both ends 7/8" Water Tight Die-Cast Fitting Assembly for 1/2" Rigid Conduit |
| | | | | TRAYMSS | Stainless Steel Gear Tray Mounting Clip |
| | | | | LT | Low Temperature for freezer (-40°F (-40°C) ~ 122°F (50°C)) |
| | | | | HT | High Temperature (-31°F (-35°C) ~ 140°F (60°C)) |
| | | | | AMB | Anti-Microbial Coating (Matte Skye White) |
| | | | | HRC-05 | Handheld Remote for HC403 |
| | | | | RM51 | Handheld Remote for EFS01RE |
| | | | | TAA | Trade Agreements Act compliant |

| LIGHTING CONTROL SYSTEM | |
|-------------------------|--|
| PPA102S | <Bluetooth> Bluetooth Powerpack (Consult factory for installation location) |
| CASAMBI | Contact factory for CASAMBI READY options |

NOTES:

- N/A with DW2. 84% Light transmission rate. Light loss factor compared to DRS is less than 3%.
- Must specify voltage, not available with 347V.
- Contact factory for other emergency ballast options.
- Available with 4ft.
- To find an approved dimmer switch, please see table 1.
- Available with C9 only.
- Lumen per watt is around 15% less than standard CRI (80+).
- Shipped separately.
- Its default setting can be found on the IR-TEC installation instructions.
- A: Standard cone shape Lens @ 15' height (up to 30' coverage)
B: Extra wide cone shape Lens @ 10' height (up to 60' coverage)
C: High bay cone shape Lens @ 30' height (up to 90' coverage)
D: Standard round shape Lens @ 20' height (up to 40' coverage)
F: Extra wide dome shape Lens @ 20' height (up to 80' coverage)
G: Aisle way arch shape Lens @ 40' height (up to 120' coverage)
- DR is a rubber modifier that improves the impact resistance of acrylic.
"DR it's an additive to the Acrylic material that make it sturdy or stronger acrylic. Say 15%DR is the most common on Acrylic, then there's the 50% DR the high Impact and the 100%DR is high impact with creep lengthwise pattern on Tapered lens. but even if it's 100% DR it is not considered a vandal resistant lens yet."
- Order "RS-LRD" to adjust sensor setting.
- Integrated Microwave bi-level Occupancy Sensor, adjustable via DIP switch(Mounted inside fixture).



DW LED

APPROVED DIMMER SWITCH (Table 1)

| | Manufacturer | Manufacturer Part # |
|----------------|-------------------------------------|---|
| GR | LUTRON | NTSTV-DV |
| | LEVITON | IP710-DLZ |
| PH | LUTRON | Nova: NFTV- dimmer plus PP-DV relay pack(s) Nova T: NTSTV-DV-dimmer Diva: DVTV-dimmer, DVSCSTV-dimmer, plus PP-DV relay pack(s), DVSTV-dimmer, DVSCSTV-dimmer GRAFIK Eye QS: QSGRJ-XP, plus GRX-TVI 0-10V interface GRAFIK Eye QS with EcoSystem: QSGRJ-XE, QSGR-XE, plus GRX-TVI 0-10V interface PowPak: RMJ-5T |
| | LEVITON | Leviton: IP710-LFZ |
| | PHILIPS | Sunrise - SR1200ZTUNV |
| OS, OS1 | OSRAM | ZBHA-CLM DIM (NAED:45678) |
| | ENCELIUM EMS | EN-LCM-1R10V-GB2-BK EN-LCM-1R10V-GB2-BK/DR EN-ALC-1R10V-GB2-BK EN-ALC-1R10V-GB2-BK-DR |
| | LEVITON | IP710-DLX |
| | LUTRON | DVTV-XX |
| | WATTSTOPPER | ADF-120277 |
| | SYNERGY LIGHTING CONTROLS | ISD BC |
| | WATTSTOPPER | FD-301 |
| | WATTSTOPPER | FSP-202 |
| ENLIGHTED INC. | SU-3E-00 (Enlighted Compact Sensor) | |

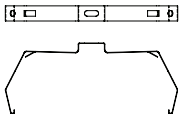
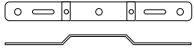
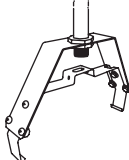
* If you want other specific kind, please contact us.



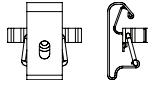
HC403 FACTORY SETTING (TABLE 2)

| | |
|-------------------------------------|---------|
| Detection Area | 100% |
| Hold-time | 5 sec |
| Daylight sensor | Disable |
| Stand-by period (tri-level control) | 10 sec |
| Stand-by dimming level | 10% |

* See a separate attachment to find more setting options.

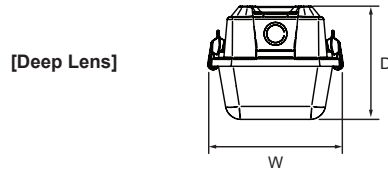
GASKET ENCLOSURES ACCESSORIES

| | | |
|----------|---|--|
| STANDARD |  | Standard Bracket |
| BRKT1 |  | External Stud Mounting Bracket |
| BRKT2 |  | Pendant Mounting Bracket for 1/2" stem |

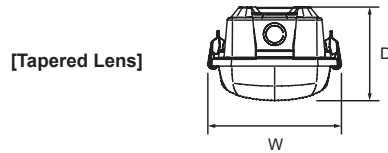
| | | |
|---------|---|---|
| DC02 |  | 7/8" Die-Cast Fitting Assembly for 1/2" Rigid Conduit |
| TRAYMSS |  | Stainless Steel Gear Tray Mounting Clip |
| TRSSL |  | Tamper-Proof Stainless Steel Cam-Action Latch |

* Note: Silicon sealant should be applied to internal threads when installed for wet locations.

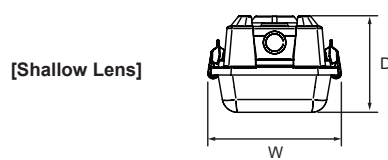
DW LED



Specifications: *Deep*
 Length: 25-7/8 (657.2), 50 (1270)
 Width: 6-5/8 (168)
 Depth: 5-7/8 (149)



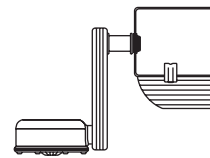
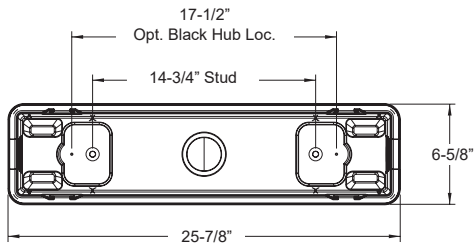
Specifications: *Tapered*
 Length: 25-7/8 (657.2), 50 (1270)
 Width: 6-5/8 (168)
 Depth: 4-7/8 (123)



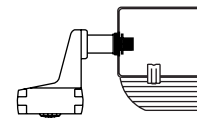
Specifications: *Shallow*
 Length: 24 (609.6), 48 (1219.2)
 Width: 6-5/8 (168)
 Depth: 5 (127)
 All dimensions are in inches (millimeters).

MOUNTING INFORMATION:

2' DW Series

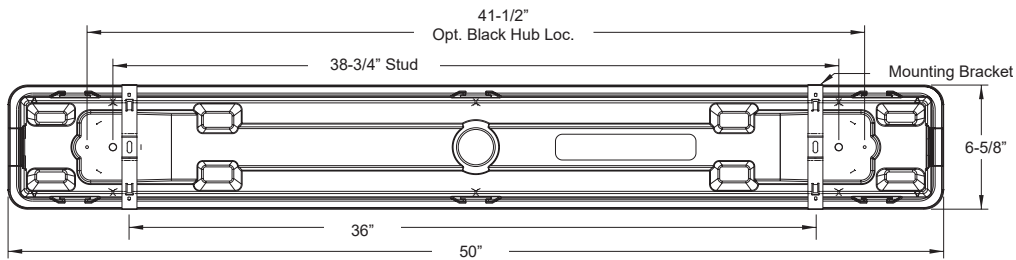


WMS



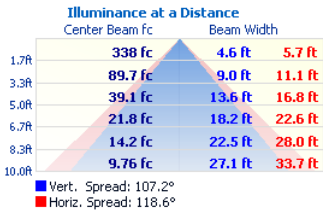
WDMS

4' DW Series

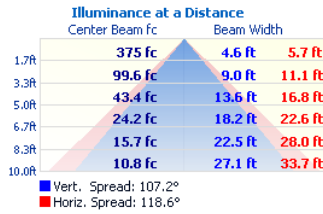


DW LED

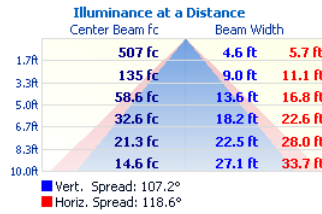
DW-2-18LED



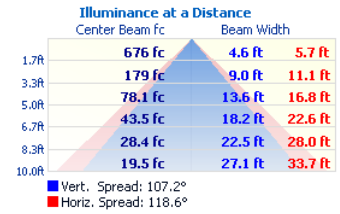
DW-2-20LED



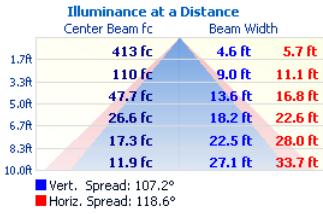
DW-2-27LED



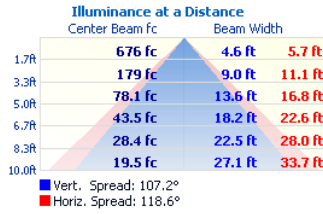
DW-2-36LED



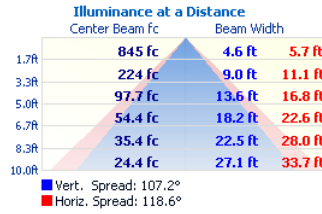
DW-4-22LED



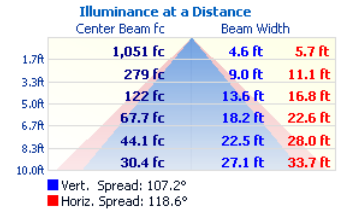
DW-4-36LED



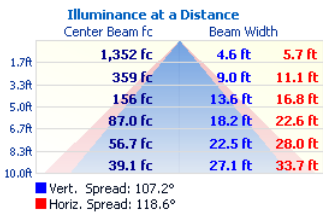
DW-4-45LED



DW-4-56LED



DW-4-72LED



DW-4-100LED

