

Date:	Project:
Prepared for:	Type:



### Application

Compact recessed LED emergency downlight for indoor installation in corridors, lobbies, stairwells, and open commercial spaces. Delivers code-compliant emergency illumination with a low-profile ceiling appearance.

### Features

- Low-profile recessed downlight design for clean ceiling integration.
- Compact 5.66" round housing fits a Ø4.7" cuthole.
- Round lens (140°) for open areas and oval lens (150° x 70°) for corridors and escape routes, both included.
- Integrated test switch and LED status indicator.
- Self-testing/self-diagnostic circuitry as standard.
- PC and aluminium construction with white finish.

### Illumination

- 6W LED emergency output.
- 700 lumens at 6000K, Ra70.
- LED light source for long-life operation.
- Two interchangeable lens options for application-specific light distribution.

### Mounting

- Recessed mount in ceilings via Ø4.7" ± 0.2" cuthole.
- Housing dimensions: 5.66" L x 5.66" W x 2.87" H.
- Tool-free lens swap between round and oval optics at install.

### Function

- Self-Testing: continually monitors battery, lamp, charge board, and transfer circuit.
- Automatic 30-second discharge test every 30 days.
- Automatic 90-minute discharge test every 365 days.
- Manual test via integrated test button: press once for 30-second test, press three times for 90-minute test.
- LED status indicator reports charging, fully charged, discharging, and fault states.
- Non-Maintained operation.

### Electrical

- 100-347VAC input voltage.
- LiFePO4 rechargeable battery, maintenance-free.
- Battery protection: over-charge, over-discharge, short circuit, voltage surge, and low-voltage disconnect.
- 24-hour full recharge time.
- Minimum 90 minutes of emergency illumination on battery.
- Internal solid-state transfer switch activates emergency mode on AC loss.

### Listing

- ETL Certified.
- IP20 rated.
- Five-year warranty on electronics and housing
- ROHS compliant

### Dimensions

- Housing: 5.66" x 5.66" x 2.87"
- Cuthole: Ø4.7" ± 0.2"

### Configurations

Model	Input Watts	Lumen Output	Color Temp	Installation
LEMD	6W	700lm	6000K	Recessed Mount

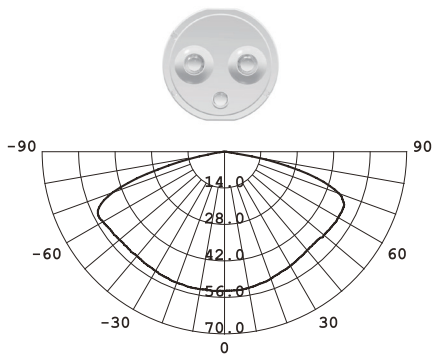
### Ordering Information

Example : LEMD-XXXX-XXXX-XX

Model	Finish	Voltage	Mounting
LEMD	White (std.)	120-347V (std.)	Recessed (Std.)

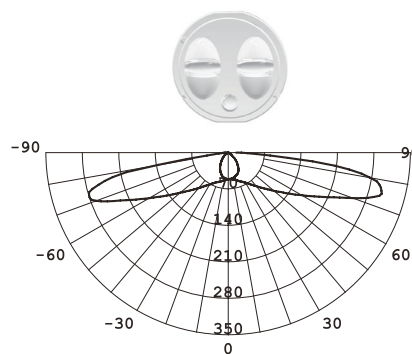
### Lenses

**Round lens** for open areas



Beam angle : 140°

**Oval lens** for escape routes



Beam angle : 150 x 70°

### Dimensions

