

LSC-3G

| | |
|---------------|--|
| Project Name: | |
| Type: | |



CASAMBI

APPLICATION

This is design for LED surface mount luminaire. Ideal for walkways, building exterior, entrances, mall areas and perfect for hard to service locations.

FEATURES:

- Sealed die-casting aluminum housing for indoor and outdoor applications.

MOUNTING:

- Ceiling surface mounting and pendant mounting available.

LED:

- LM79, LM80 Compliant.
- Estimated 100,000-hour LED lifespan based on IES LM-80 results and TM-21 calculations.
- Lumen Maintenance L70 greater than 100,000 hours IESNA TM-21.
- Lumen output from 3750-16000lm with efficacy up to 171lm/W.
- Replacing 100-400W Metal Halide.
- Color temperature: 3000/4000/5000(K) Field selectable
- CRI +70

ELECTRICAL:

- 120-277V, 0-10V dimming standard.
- Operating temperature: -40°C to 40°C (-40°F to 104°F).

LISTING:

- Listed to UL 1598 and UL 8750.
- UL / cUL wet location listed.
- DLC Premium listed. ²
- IP65.
- 5 years warranty.
- ARRA compliant. (optional)

ORDERING INFORMATION

EXAMPLE: LSC-3G-27LED-UNV-50K-BZ-DM-UNV

| MODEL | LED | | COLOR TEMP. | | FINISH | | DRIVER | |
|--------|-----|--------------------------------|-------------|----------------------------------|---|----|----------------|--|
| LSC-3G | 3SL | 60/48/36/25W Field Selectable | -3T | 3000/4000/5000K Field Selectable | BZ Dark Bronze RAL#8019 (Std.) *BK Black RAL#9011 *WH White RAL#9016 *GR Gray RAL#7045 **CC Custom Color <small>* Non-standard finish with extra charge. ** Additional charge & set up fee.</small> | DM | 0-10V Dimmable | |
| | 3SH | 110/85/63/41W Field Selectable | -3T | 3000/4000/5000K Field Selectable | | | | |

| VOLTAGE | | OPTIONS | |
|---------|-----------------|---|--|
| UNV | 120-277V (Std.) | MS-xx On/Off motion sensor. "xx" for lens type; L1 or L2 ¹ BRI-xx Bi-level occupancy sensor with daylight, 0-10V, adjustable via DIP switch. "xx" for lens type; L1 or L2 ¹ RC-100 Remote control for the BRI sensor MWS Integrated built-in microwave sensor EMG8W Wet location suitable, 8W EM Battery Backup ARRA Assembled in USA SP10 Integrated 10kV/10kA surge protection CASAMBI Contact factory for CASAMBI READY options | |

NOTES:

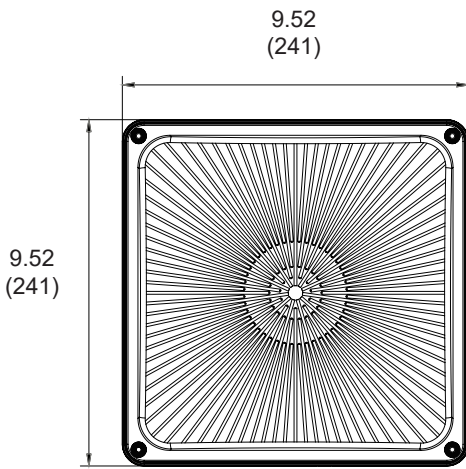
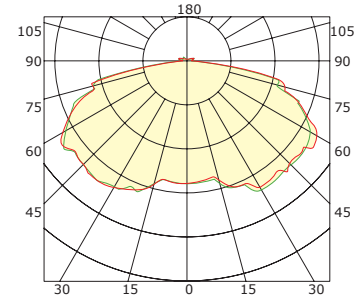
- L1: Max 25ft mounting height
L2: Max 40ft mounting height
- DesignLights Consortium® (DLC) qualified product. Not all versions of this product may be DLC qualified. Please check the DLC Qualified Products List at www.designlights.org/QPL to confirm which versions are qualified.

LSC-3G

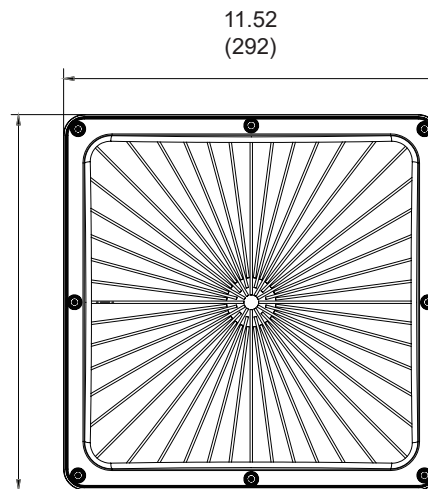
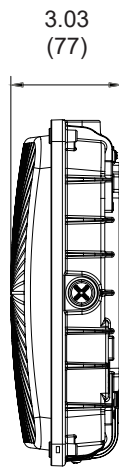
CONFIGURATIONS

| Series | LED | Lumen Output (5000K) | Lumen Efficiency |
|-----------|-----------------|------------------------|----------------------|
| LSC-3G-3S | 60W/48W/36W/25W | 8000/6600/5300/3800 lm | 133/137/147/152 lm/W |

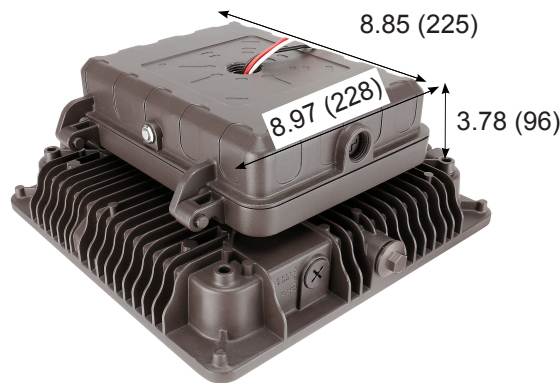
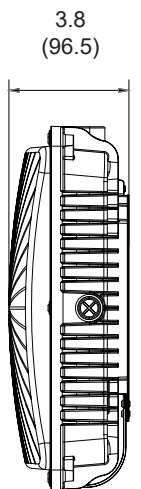
| Series | LED | Lumen Output (5000K) | Lumen Efficiency |
|------------|------------------|---------------------------|----------------------|
| LSC-3G-3SH | 110W/85W/63W/41W | 16000/13000/10000/7000 lm | 145/153/159/171 lm/W |



3SL



3SH



EMG8W

* All dimensions are in inches (millimeters).

LED SURFACE CANOPY LUMINAIRE

Housing

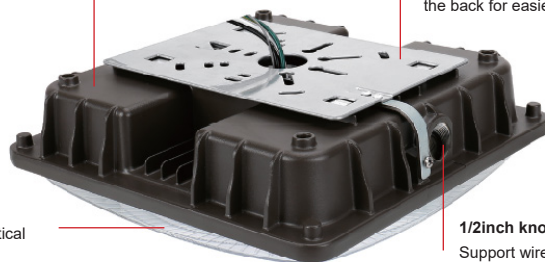
One piece die cast housing better waterproofing, suitable for both indoor and outdoor application.

Mounting Bracket

Suitable for J-BOX mounting, and easy for installation, also support pendant mounting, wires coming out from the back for easier wire connections.

PHOTOMETRY

Parking Garage Photometry and polycarbonate optical lens with heat resisting.



1/2inch knock hole

Support wires coming from the hole for easier wire connections. Optional PIRsensor and EmergencyBattery.



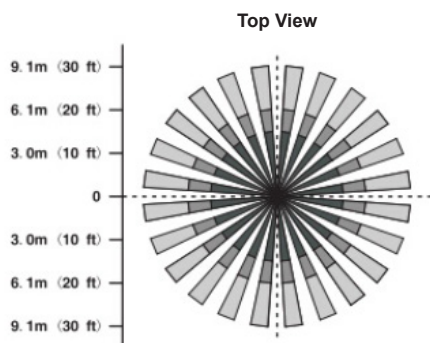
SENSOR (MS / BRI)

| MS / BRI sensor specifications | |
|--------------------------------|-----------------------------------|
| Power Supply | 120-277VAC, 50/60Hz |
| Max. Load | 800W @ 120V, 1200W @ 277V |
| Detection Radius | L1 lens: 30FT @ 25FT height, 360° |
| | L2 lens: 30FT @ 40FT height, 360° |
| Humidity | Max. 95% RH |
| Temperature | -40°F to 167°F (-40°C to 75°C) |

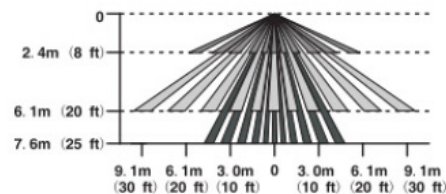
| BRI default setting | |
|---------------------|----------------------------|
| Sensitivity | 20%/50%/75%/100% |
| Time | 10sec/1min/5min/15min |
| Light Level | disabled/10lux/30lux/50lux |
| Stand-by Level | 0%/10%/30%/50% |
| Stand-by Time | Infinite/1min/30min/60min |

< L1 Lens >

Low Bay
360°

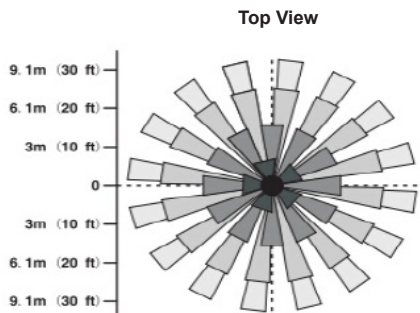


Side View

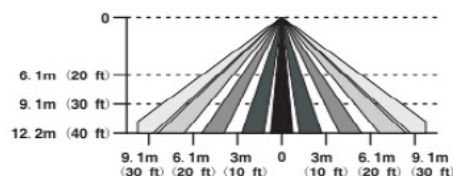


< L2 Lens >

High Bay
360°



Side View



LSC-3G

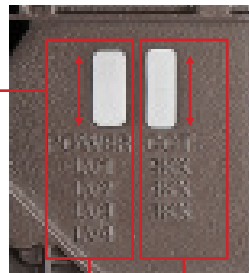
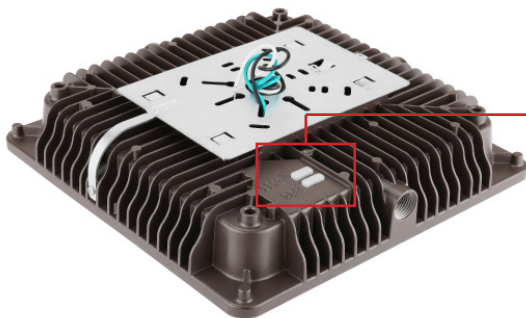


Microwave Sensor (MWS)



Surface Mounted With J-Box

Conduit Pendant Mount



CCT AND WATTAGE SELECTABLE

This fixture has the function of adjusting the lumens output and color temperature on-site.

| WATTAGE SELECT | | | |
|--|-----|-----|------|
| | | | |
| 40% | 60% | 80% | 100% |
| Each model supports 4 positions wattage regulation: 100%, 80%, 60%, 40% | | | |

| CCT SELECT | | |
|---|-------|-------|
| | | |
| 3000K | 4000K | 5000K |
| Offer three CCT adjustable (3000K, 4000K, 5000K) | | |