

LPT1-2G

Project Name:	
Type:	



APPLICATION:

Dark Sky Compliant to help minimize light pollution and glare. The LPT1-2G enhances nighttime pedestrian lighting while serving as a decorative landscape element during the day, providing efficient and evenly distributed illumination for walkways, parks, residential, and commercial outdoor environments.

FEATURES:

- Die-cast aluminum housing.
- Field adjustable wattage and CCT.
- Field selectable light distribution
- Built-in on/off switching photocell
- EPA: 0.34 ft²

MOUNTING:

- Fits on 2-3/8" to 3" diameter round pole.
- Post Top, Wall, Surface mount.
- Gooseneck, Conduit Pendant mount.
- Square / round pole mount options available.

LED:

- Field adjustable wattage: 52/78/104/130W
- Field adjustable color temperature: 30/40/50K
- CRI: >80
- Estimated LED life: 100,000 hours (LM-80 / TM-21)

ELECTRICAL:

- 0–10V dimming, down to 10%.
- Ambient Operating Temperature: -40°C to 40°C (-40°F - + 104°F)
- Power Factor: >0.90, THD<20%
- Input voltage: 120–347V or 277–480V
- Surge protection: 6kV standard (Optional 20kV)

LISTING:

- DLC Premium listed.
- UL / cUL wet location listed.
- 5 years limited warranty.
- ARRA compliant (optional).

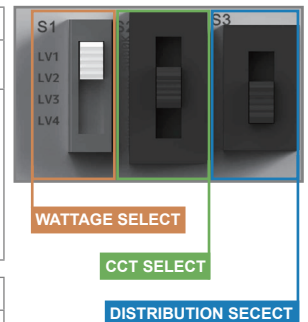
CONFIGURATIONS

Distribution	Input Watts	Lumen Output (3000K)	Lumen Efficiency (3000K)	Lumen Output (4000K)	Lumen Efficiency (4000K)	Lumen Output (5000K)	Lumen Efficiency (5000K)	B.U.G. Rating
Frosted Diffuser (Std.)	130W (LV1)	15500 lm	119 lm/W	16500 lm	127 lm/W	16000 lm	123 lm/W	B3-U0-G1
	104W (LV2)	12800 lm	123 lm/W	13500 lm	130 lm/W	13200 lm	127 lm/W	
	78W (LV3)	10500 lm	135 lm/W	11000 lm	141 lm/W	10800 lm	138 lm/W	
	52W (LV4)	7200 lm	138 lm/W	7600 lm	146 lm/W	7400 lm	142 lm/W	
Distribution	Input Watts	Lumen Output (3000K)	Lumen Efficiency (3000K)	Lumen Output (4000K)	Lumen Efficiency (4000K)	Lumen Output (5000K)	Lumen Efficiency (5000K)	B.U.G. Rating
Type III Type V	130W (LV1)	18000 lm	138 lm/W	19500 lm	150 lm/W	18500 lm	142 lm/W	B4-U0-G4 (Type III) B4-U0-G2 (Type V)
	104W (LV2)	15200 lm	146 lm/W	16000 lm	154 lm/W	15500 lm	149 lm/W	
	78W (LV3)	12000 lm	154 lm/W	13000 lm	167 lm/W	12500 lm	160 lm/W	
	52W (LV4)	8500 lm	163 lm/W	9000 lm	173 lm/W	8750 lm	168 lm/W	
Distribution	Input Watts	Lumen Output (3000K)	Lumen Efficiency (3000K)	Lumen Output (4000K)	Lumen Efficiency (4000K)	Lumen Output (5000K)	Lumen Efficiency (5000K)	B.U.G. Rating
Type IV	130W (LV1)	18500 lm	142 lm/W	20000 lm	154 lm/W	19500 lm	150 lm/W	B4-U0-G4
	104W (LV2)	15500 lm	149 lm/W	16500 lm	159 lm/W	16000 lm	154 lm/W	
	78W (LV3)	13500 lm	160 lm/W	13500 lm	173 lm/W	13000 lm	167 lm/W	
	52W (LV4)	8700 lm	167 lm/W	9500 lm	183 lm/W	9100 lm	175 lm/W	

ORDERING INFORMATION

EXAMPLE: LPT1-2G-4S-3T-FD-UNV-BK

MODEL	LED	COLOR TEMP	DISTRIBUTION	VOLTAGE	FINISH
LPT1-2G	-4S Selectable 130 W (LV1) 104 W (LV2) 78 W (LV3) 52 W (LV4)	-3T Selectable 30/40/50K	-FD Frosted Diffuser -3D Selectable Type III Type IV Type V	UNV HV 120-347V (Std.) 277-480V	BZ *BK *WH *GR **CC Dark Bronze RAL#8019z Black RAL#9011 (Std.) White RAL#9016 Gray RAL#7045 Custom Color * Non-standard finish with extra charge. ** Additional charge & set up fee.



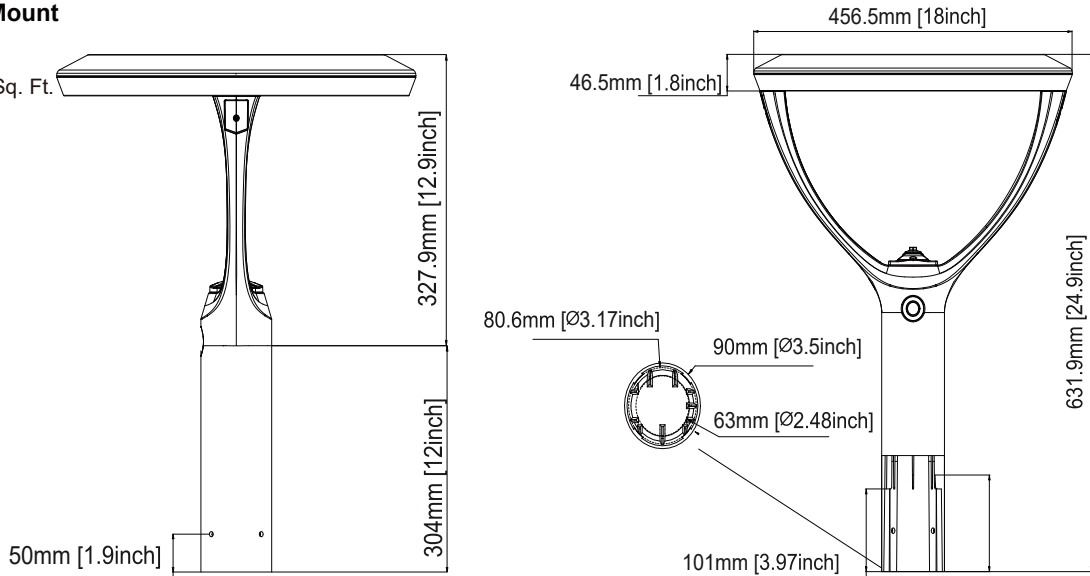
MOUNTING	OPTIONS
(Blank) WM GM PMS PMR CPM SM Post Top Mount (Std.) Wall Mount Gooseneck Mount Square Pole Mount Round Pole Mount Conduit Pendant Mount Ceiling Surface Mount	MSPiR MSPiRBLT MSMW MSMWBLT GS ARRA CASAMBI Plug-and-Play PIR Sensor Bluetooth PIR sensor Plug-and-Play Microwave Sensor Bluetooth microwave sensor External Glare Shield Assembled in USA for Buy American act Contact factory for CASAMBI READY options

LPT1-2G

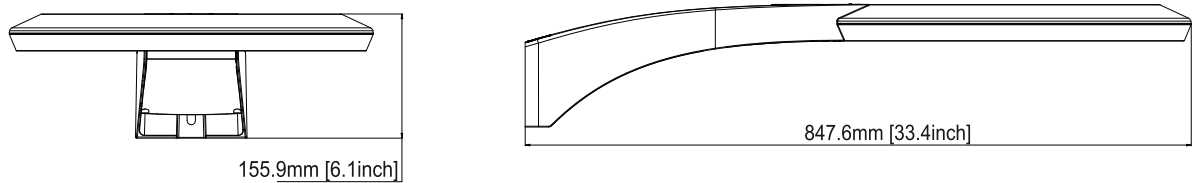
MOUNTING DIMENSIONS

Post Top Mount

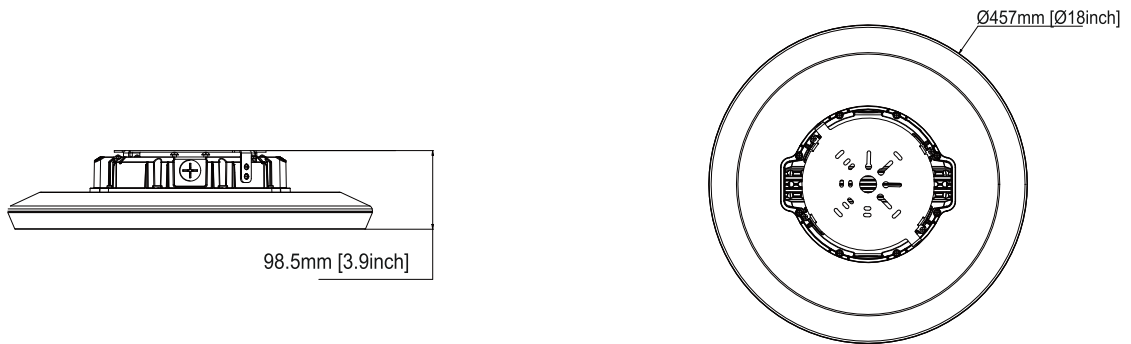
EPA: 0.34 Sq. Ft.



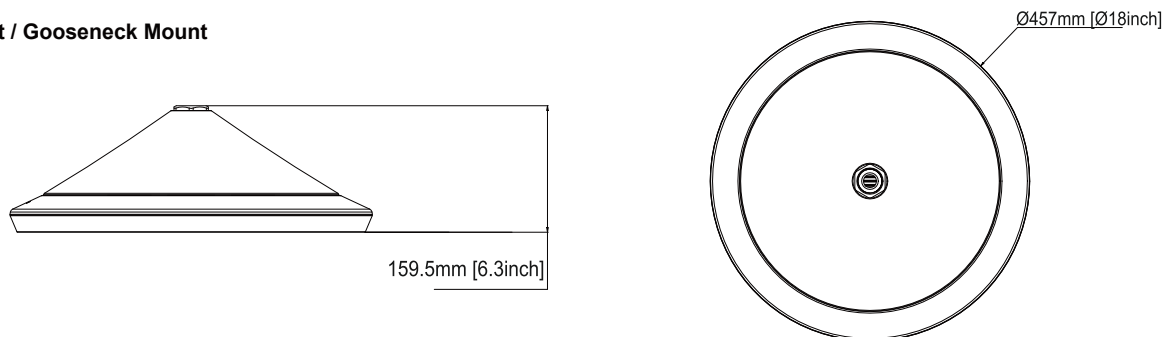
Wall Mount/Square & round Pole Mount



Surface Mount

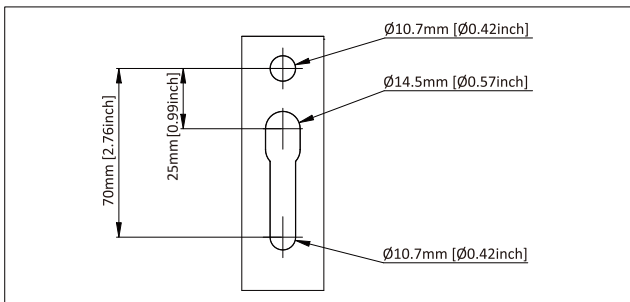
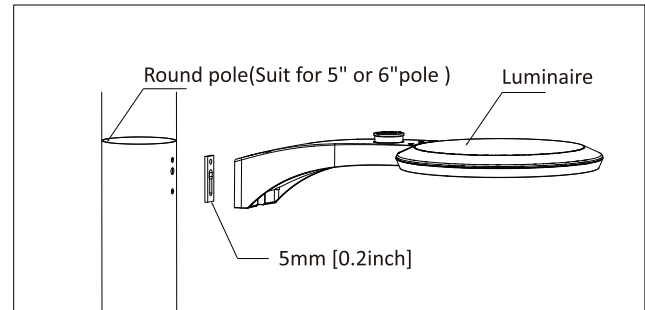
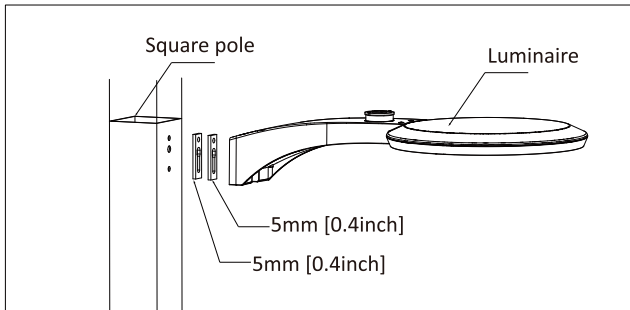


Conduit Pendant / Gooseneck Mount









LPT1-2G

MOUNTING DIMENSIONS



MOUNTING OPTIONS

Pole Mount	Conduit Pendant	Gooseneck Mount
		

Wall Mount	Square Pole Mount	Surface Mount
		

LPT1-2G

POLE BRACKET

	<p>4" Square Pole Mount with 2-3/8" O.D. Tenon No. 4S-2-TA Finish: Dark Bronze USE: For use with square, non-tapered steel and aluminum poles. Furnished with four 5/16" hex head stainless-steel bolts. Vertical tenon measures 2-3/8" O.D., and is made of steel tubing. Fixtures mounted to this bracket can be adjusted both vertically and horizontally.</p>		<p>4" Round Pole Mount with 2-3/8" O.D. Tenon NO. 4R-2-TA Finish: Dark Bronze USE: For use with Round, non-tapered steel and aluminum poles. Furnished with three 3/8" hex head stainless-steel bolts. Vertical tenon measures 2-3/8" O.D., and is made of steel tubing. Fixtures mounted to this bracket can be adjusted both vertically and horizontally.</p>
	<p>5" Square Pole Mount with 2-3/8" O.D. Tenon No. 5S-2-TA Finish: Dark Bronze USE: For use with square, non-tapered steel and aluminum poles. Furnished with four 5/16" hex head stainless-steel bolts. Vertical tenon measures 2-3/8" O.D., and is made of steel tubing. Fixtures mounted to this bracket can be adjusted both vertically and horizontally.</p>		<p>5" Round Pole Mount with 2-3/8" O.D. Tenon NO. 5T-2-TA Finish: Dark Bronze USE: For use with Round, non-tapered steel and aluminum poles. Furnished with three 3/8" hex head stainless-steel bolts. Vertical tenon measures 2-3/8" O.D., and is made of steel tubing. Fixtures mounted to this bracket can be adjusted both vertically and horizontally.</p>

ACCESSORIES (Optional)

<p>Plug-and-Play PIR Sensor PIR sensor: MSANT12VPH01 Bluetooth PIR sensor: MSANT12VPHB01 Description: 100% sensitivity, Hold on time: 5min, Daylight Threshold: disable, Standby Dimming Level: 30%, Dimming time: 30 minutes</p>	<p>Plug-and-Play Microwave Sensor Microwave Sensor: MSANT12VMH01 Bluetooth microwave sensor: MSANT12VMHB01 Description: 100% sensitivity, Hold on time: 5min, Daylight Threshold: disable, Standby Dimming Level: 30%, Dimming time: 30 minutes</p>	<p>External Glare Shield</p>

PHOTOCELL

