

CEM-2

Project Name:	
Type:	



FEATURES:

- Injection-molded, engineering grade, 5VA flame retardant, high-impact resistant, thermoplastic in off off-white or black housing.

MOUNTING:

- Universal knockout pattern on back plate for wall mount. Snaps into place making internal electrical connections.
- Knockout for conduit applications.

ELECTRICAL:

- 120/277V dual voltage operation standard.
- Charge rate/power “ON” LED indicator light and push-to-test switch for mandated code compliance testing.
- LVD (Low Voltage Disconnect) prevents battery from deep discharge.

LAMPS:

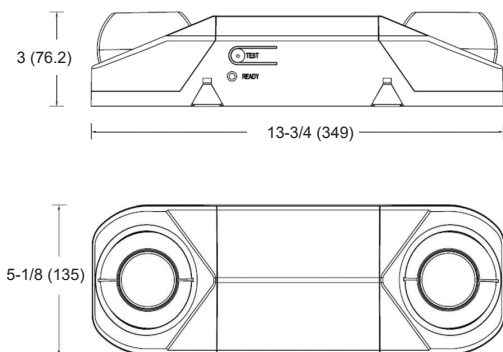
- Two fully adjustable semi-recessed, round 7W LED MR16 lamp heads for optimal light distribution.
- Ultra bright, energy efficient, long-life white LED lamps provide up to 76ft center-to-center spacing with 3ft path of egress at 7.5ft mounting height.
- 587 lumen per head, 1174 lumen in total.

BATTERY:

- 6V maintenance-free, rechargeable sealed lead acid battery.
- Fully automatic solid-state, two-rate charger initiates battery charging to recharge a discharged battery in 24 hours.
- Internal solid-state transfer switch automatically connects the internal battery to LEDs for minimum 90 minute emergency illumination.
- SDT: Self-diagnostic feature performs monthly, biannual, and annual tests to ensure reliable operation and meets electrical and life safety codes (optional).

LISTING:

- 5 years limited warranty on materials and all electronics. Battery pro-rated for two years.
- UL listed for damp locations (20°C to 40°C / 68°F to 104°F).
- Meets UL924, NFPA 101 Life Safety Code, NEC, OSHA, Local and State Codes.
- BAA compliant (optional).



Dimensions

- A: Housing Length: 13-3/4" (349)
- B: Housing Height: 3" (76.2)
- C: Housing Depth: 5-1/8" (135)

All dimensions are in inches (millimeters).



All-LED Illumination

ORDERING INFORMATION

EXAMPLE: CEM-2-PLED-WH

MODEL	LAMP		HOUSING COLOR		OPTIONS	
CEM-2	PLED	7W High Lumen White LED lamps	WH BK	Off White Housing Black Housing	SDT WG-1 BGR-1 BAA	Self-Diagnostic Steel Wire Guard (13.5" x 15" x 6") Polycarbonate Vandal Shield Guard (7.5" x 18" x 5") Buy American Act compliant