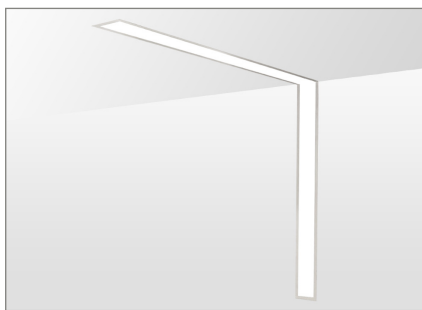


CUBE2-CW90

Project Name:	
Type:	



APPLICATION

The unique CUBE2-CW90 series offer versatile installation from wall to ceiling or ceiling to wall. This seamless 90° luminaire creates endless transverse runs and provides flexibility in uniting a space with lines of light. CUBE2-CW90 is well designed for commercial hallway, building lobby, educational environments, office, retail, or anywhere to add visual appeal along the ceiling to wall line.

MOUNTING:

- Compatible only with drywall.

LED:

- High quality array LEDs.
- LM80
- Color Temperature: 2700/3000/3500/4000/5000 (K).
- Color Rendering Index: >80 (optional >90).
- Nominal Lamp Life: 100,000 hours.
- Reported L70 hours: +60,000 (55°C).

ELECTRICAL:

- High power factor electronic driver, operate from a 120 ~ 277 Vac input range, 50 / 60 Hz.
- Features included over voltage protection, surge, short circuit protection and over load protection.
- Power Factor: typical > 0.95, THD <20, meets Class1 or Class 2 circuit.
- 0-10V dimmable driver as standard.
- 0-10VDC dimming 1%~100%.
- Operating temperature: -4°F (-20°C) ~ 122°F (50°C).

FINISH:

- Standard powder-coat textured white painted finish on exposed trim, consult factory for custom colors.
- Comes with snap-in acrylic lens as standard.

LISTING:

- UL / CUL listed.
- Listed to UL 1598 and UL 8750.
- UL listed for dry & damp location.
- CEC Compliant EM (please contact for more information)
- Assembled in USA (optional).
- BAA compliant (optional).
- Trade Agreements Act compliant (optional).
- 5 years limited warranty.
- 7 or 10 years limited warranty. (optional) ⁹
- Bluetooth Mesh System available, please contact factory for more information.

- <ELCU-200>
- Guarantees emergency lighting remains ON or is turned on when power to the control device is lost.
- Interfaces with fire alarm panel or security system.
- "Watchdog" feature allows emergency loads to be controlled in tandem with normal power loads.
- UL listed for use in emergency circuits.

CONFIGURATIONS

Series	Size	Model #	AC Input	Fixture Lumen Output (4000K)		Lumen Efficiency (4000K)
CUBE2	2'	18L	9.9W	1280.46 lm (100% Down)	1280.46 lm	129.34 lm/W
		27L	14.85W	1641.66 lm (100% Down)	1641.66 lm	110.55 lm/W
		36L	19.8W	2122.36 lm (100% Down)	2122.36 lm	107.19 lm/W
		48L	24.9W	2651.85 lm (100% Down)	2651.85 lm	106.5 lm/W
		54L	29.7W	3146.41 lm (100% Down)	3146.41 lm	105.94 lm/W
	3'	18L	14.85W	1921.29 lm (100% Down)	1921.29 lm	129.38 lm/W
		27L	22.27W	2461.50 lm (100% Down)	2461.50 lm	110.53 lm/W
		36L	29.7W	3182.95 lm (100% Down)	3182.95 lm	107.17 lm/W
		48L	37.35W	3977.77 lm (100% Down)	3977.77 lm	106.5 lm/W
		54L	44.55W	4720.51 lm (100% Down)	4720.51 lm	105.96 lm/W
	4'	18L	19.8W	2562.12 lm (100% Down)	2562.12 lm	129.40 lm/W
		27L	29.7W	3283.33 lm (100% Down)	3283.33 lm	110.55 lm/W
		36L	39.6W	4244.72 lm (100% Down)	4244.72 lm	107.19 lm/W
		48L	49.8W	5303.70 lm (100% Down)	5303.70 lm	106.5 lm/W
		54L	59.4W	6294.02 lm (100% Down)	6294.02 lm	105.96 lm/W
	6'	18L	29.7W	3842.58 lm (100% Down)	3842.58 lm	129.38 lm/W
		27L	44.55W	4925 lm (100% Down)	4925 lm	110.55 lm/W
		36L	59.4W	6367.08 lm (100% Down)	6367.08 lm	107.19 lm/W
		48L	74.7W	7955.55 lm (100% Down)	7955.55 lm	106.5 lm/W
		54L	89.1W	9400.14 lm (100% Down)	9400.14 lm	105.95 lm/W
	8'	18L	39.6W	5124.24 lm (100% Down)	5124.24 lm	129.40 lm/W
		27L	59.4W	6566.67 lm (100% Down)	6566.67 lm	110.55 lm/W
		36L	79.2W	8489.45 lm (100% Down)	8489.45 lm	107.19 lm/W
		48L	99.6W	10607.40 lm (100% Down)	10607.40 lm	106.5 lm/W
54L		118.8W	12588.05 lm (100% Down)	12588.05 lm	105.96 lm/W	

OUTPUT CURRENT

		Bi-Level		Tri-Level (Default)	
SW1	SW2	Config Range	Default	Config Range	Default
Close	Open	10% - 70%	40%	10% - 70%	30%
Open	Close	10% - 70%	40%	10% - 70%	70%
Close	Close	100%	100%	100%	100%
Open	Open	0%	0%	0%	0%

WEIGHT

Item	lbs	kg
CUBE 2 2FT DRYWALL	8.14	3.69
CUBE 2 3FT DRYWALL	11.00	4.99
CUBE 2 4FT DRYWALL	12.89	5.85
CUBE 2 8FT DRYWALL	25.45	11.55

ORDERING INFORMATION

EXAMPLE: CUBE2-10C7W-C4/4/2W3/4-D27L-40K-FT-UNV-STB

MODEL	ROW	SECTION	LED Downlight (per/4ft section)	COLOR TEMP.
CUBE2	x'C x'W *Specify nominal overall row length in 1' increments for continuous runs * 2' minimum for individual	C_/_/_... W_/_/_... *Ceiling from horizontal left -> right, wall from vertical top -> bottom *Specify each run in 2/3/4/6/8' run, otherwise factory will decide	D18L 18W LED D27L 27W LED D36L 36W LED D54L 54W LED	-27K 2700K -30K 3000K -35K 3500K -40K 4000K -50K 5000K

* Number of circuit(s) should be determined by the customer prior to ordering the continuous run considering the AC input voltage and total run wattage.


* Maximum wattage per 4ft section
* Contact factory for custom wattage or lumen requirement.

CRI	MOUNTING	VOLTAGE	EM SECTION 1	HOUSING BRACKET	FINISH
(Blank) C9	80+ CRI 90+ CRI 5 FT Standard 1/2" Flange 11 SF Spackle Flange (Trimeless) 11	UNV 120-277V 120 277 347 277V 347V 12	(Blank) 1SE None EM 1 Section 2SE 2 Section xSE x Section	STB Slip Through Bracket 10	(Blank) *BK Matte White RAL #9003 (Std.) *SV Black RAL #9011 *CC Silver (RAL #9022) *CSS Custom Color 8 *AMB Custom Canopy Color (White is Std.) Anti-Microbial Coating (Matte Skye White) * Non-standard finish with extra charge. ** CC: additional charge & set up fee. Provide RAL# code.

LED DRIVER	
(Blank) ES566 SD40 SDXX PHSR PHDL ED560 TDM TD30/70 TDXX/YY	0-10V dim to 1% (Std.) (dim both uplight and downlight simultaneously) eldoLED SOLOdrive Natural Dimming to dark, 0-10V, 100% ~ 0.1% dim 40% / 100% Bi-Level Step dim XX% / 100% Bi-Level Step dim (Specify XX : 10% ~ 70%) Philips Xitanium Sensor-Ready, Dali 5%-100% dim. Philips Xitanium DALI driver, Dim to 5% eldoLED LightShape DALI dim to dark, 0.1% ~ 100% Triac Dim. (120V only) 30% / 70% / 100% Tri-Level Step dim XX% / YY% / 100% Tri-Level Step dim (Specify XX, YY : 10% ~ 70%)

LDE1 ELV TRIOT DTC DMX DLM LTEA2W BLT	Hi-lume 1% EcoSystem LED driver with Soft-on, Fade-to-Black dimming technology, 100% ~ 1% dim ELV compatible (reverse-phase or trailing-edge) Tridonic IoT ready, 1-100% dim via Smart Module Interface (SMI), automated dimming/lighting controls via Enlighted Sensor Interface 0-10V DIM-TO-OFF DMX512 control system (Only available with RGB+W option) Wattstopper's DLM interface (Only available with RGB+W option) Hi-lume 1% 2-wire LED driver (120V forward phase only) Bluetooth Mesh System (contact factory for more information)
--	---

OPTIONS	LIGHTING CONTROL SYSTEM
EMG8 EMG15 EMG20 EMG25 ELCU-200 GTD GTD10DIM GLR GMF ARRA BAA TAA O7W O10W AMS DPMS SO LSR-301-S LSR-301-P E1F E2F	<p>1296 LUMEN EM Battery Backup (CEC Compliant EM) 4, 14</p> <p>2430 LUMEN EM Battery Backup (CEC Compliant EM) 4, 14</p> <p>3240 LUMEN EM Battery Backup (CEC Compliant EM) 4, 14</p> <p>4050 LUMEN EM Battery Backup (CEC Compliant EM) 4, 14</p> <p>Fail-to-on Emergency lighting, UL924 10</p> <p>Bodine Generator Transfer Device</p> <p>Bodine Generator Transfer Device (0-10VDC Dimmer Override)</p> <p>Fast Blow Fuse 13</p> <p>Slow Blow Fuse 13</p> <p>Assembled in USA for Buy American Act</p> <p>BAA(Buy American Act) and BABA(Build America Buy America) compliant</p> <p>Trade Agreements Act compliant</p> <p>Optional 7 Years Limited Warranty 2</p> <p>Optional 10 Years Limited Warranty 2</p> <p>Bluetooth Mesh Wireless Sensor. Occupancy/Daylight/0-10V Dimming 16</p> <p>Daylight Dimming Photo Sensor (0-10 VDC Control), (LSR-301-S required if FD-301 is installed) 15</p> <p>Dimming Wires connected to Sensor Only (available option on FS-205 non-Bluetooth AMS sensor only) 3</p> <p>Setup Remote Control for DPMS (Required for DPMS)</p> <p>Occupant Remote Control for DPMS</p> <p>End feed on one end (Pre-drilled hole for 1/2" fitting)</p> <p>End feed on both ends (Pre-drilled holes for 1/2" fitting)</p>

LUTRON VIVE	<p><Lutron Vive System Enabled></p> <p> Click Here!</p> <p><EasySense></p> <p>EasySense Fixture-mount occupancy sensing, daylight harvesting and task tuning in one device (Must be ordered with PHSR driver) 6, 9</p> <p>IR dongle v2.0 for EasySense control</p> <p><Enlighted></p> <p>Enlighted IoT ready 0-10V Indoor Micro sensor with occupancy/vacancy detection, daylight harvesting, thermal sensing, task tuning, and room and zone control, Bluetooth enabled (Must be ordered with TRIOT) 7</p> <p>Enlighted Room controller providing basic control functions of a standard wall switch with preset dimming capability</p> <p>CASAMBI Contact factory for CASAMBI READY options</p>
-------------	---

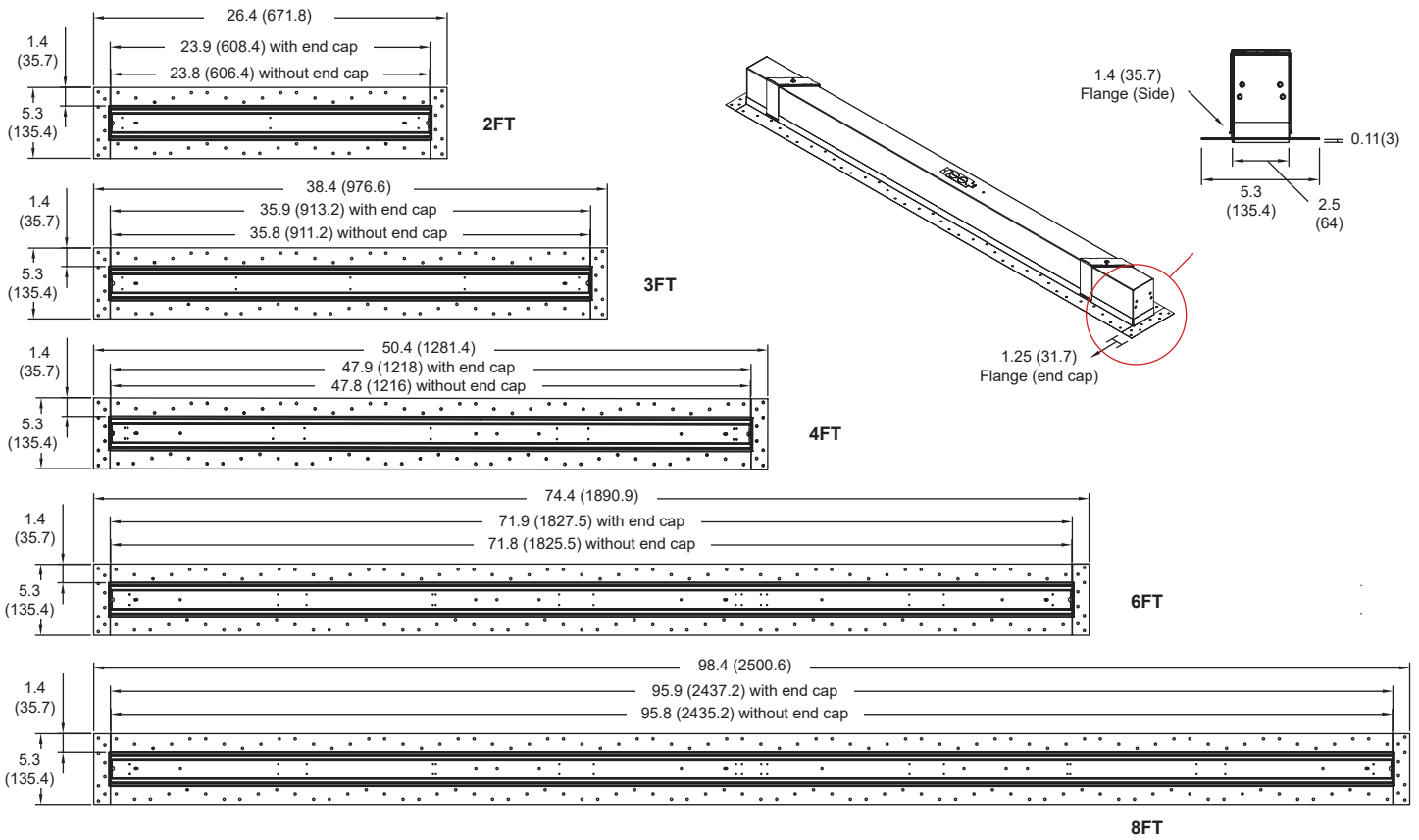
NOTES:

- EM is installed in last 4' of luminaire sections. Separate section required 2SE or specified. Must specify voltage, not available with 347V.
- This limited warranty covers electrical parts only and does not apply to labor, equipment lease, or defect from improper installation or operation.
- Dimming wires provided and connected to sensor only, not for dimmer switch. (available with AMS and DPMS option)
- Contact factory for other emergency ballast options.
- Lumen per watt is around 15% less than standard CRI (80+).
- See NFC and IR manual in the separate attachment. If your phone is not compatible, please order "RS-IR" and follow the manual.

- "RS-WS" option can be added if wish to have a wall switch, please see Enlighted Room Controller in the separate attachment.
- Refer to color charts (RAL and/or Cardinal) in the separate attachment.
- Refer to Advanced Grouping Datasheet for its default setting and compatible wireless switches.
- Standard with "FT" and "SF" mounting.
- Requires "STB" as standard.
- 347V cannot work with Emergency Battery Backup.
- Must specify voltage, not available with 347V.
- For 3ft configuration, EM can only be remote mounted. Remote box is provided by others.
- Automatic on/off is not available. For automatic on/off, additional occupancy sensor is required or a manual on/off switch can be done.
- With TDM/ELV/SDxx/TDxx: Only available with line-voltage on/off occupancy sensor.

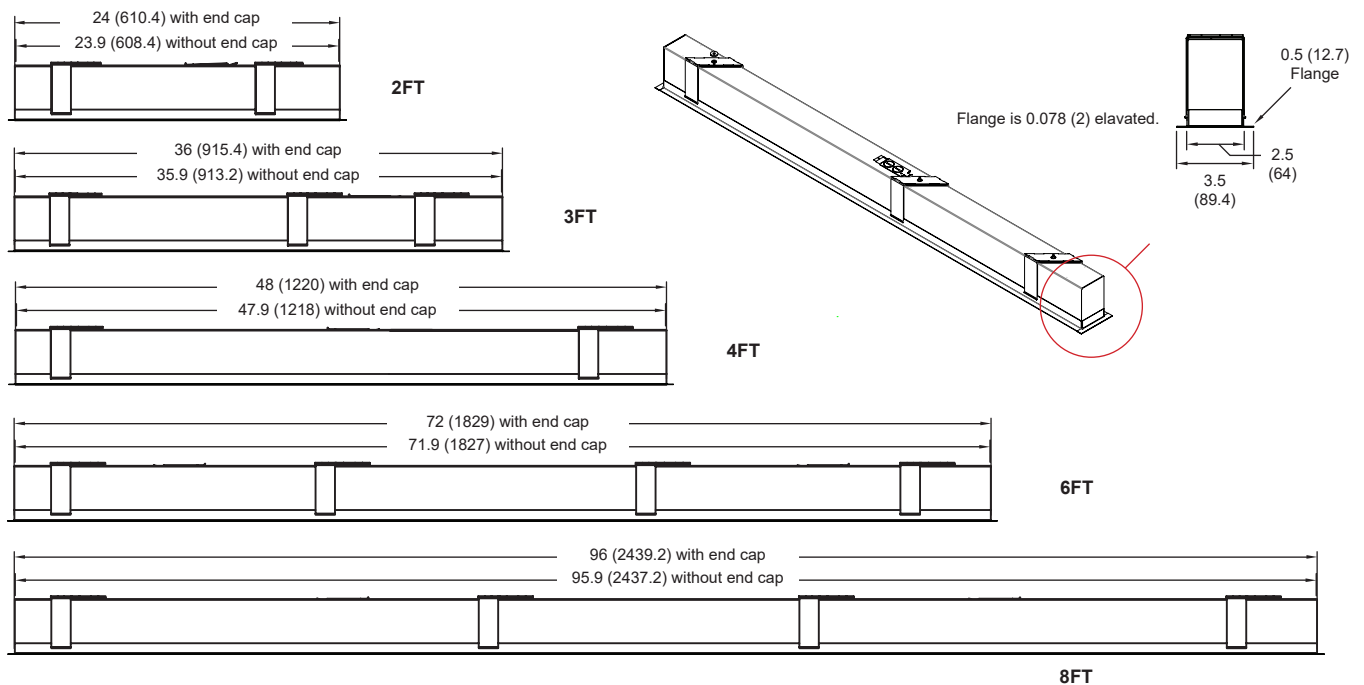
CUBE2-SF

All dimensions are in inches (millimeters).

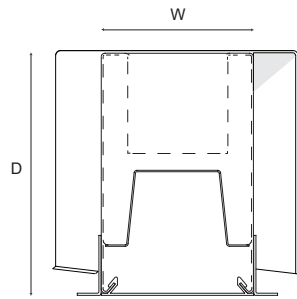


CUBE2-FT

All dimensions are in inches (millimeters).



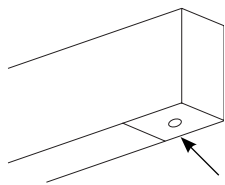
CUBE2-CW90



Specifications: CUBE2

Width: 2.5 (64)
Depth: 4 (101)

All dimensions are in inches (millimeters).



Sensor Plate



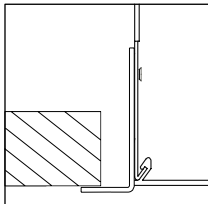
Lutron Vive Integral
fixture control installation



EasySense
fixture-mount installation

**- INACCESSIBLE
CEILING MOUNTING**

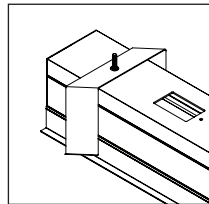
Flange Detail



Exposed Flange Detail:
Specify FT in part #

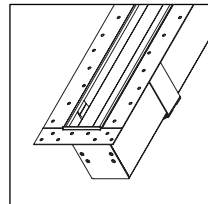
- SPECIALTY MOUNTS

Rotating Crossbar



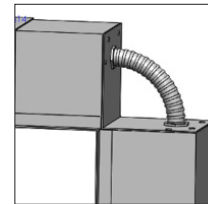
Unavailable Structure Support:
Specify STB in part #

SF
(Spackle Flange, Trimeless)

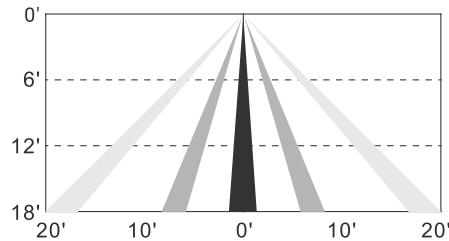


#STB in part is standard

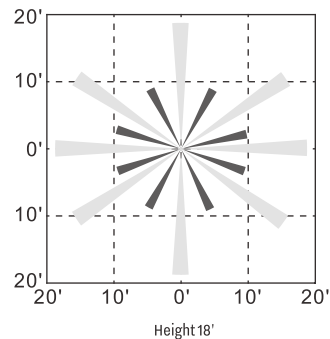
CW90



SIDE VIEW



TOP VIEW



AMS coverage pattern

CUBE2-CW90

COMPATIBLE DIMMER SWITCH (TABLE 1)

Model #	Brand	Compatible Dimmer Switch	
(Blank)	-	<Leviton>	IlumaTech IP7 series
		<Lutron>	Visit www.lutron.com/advance for a list of dimmers (Mark VII) that will work with this driver.
		<Philips>	Sunrise : SR1200ZTUNV
ES566	eldoLED SOLOdrive	<Busch-Jaeger>	2112U-101
		<Jung>	240-10
		<Leviton>	IlumaTech - IP710-DLX
		<Lightoller Controls>	ZP600FAM120
		<Merten>	5729
		<Pass & Seymour>	CD4FB-W
		<Wattstopper>	DCLV1
		<Sensor Switch>	nIO EZ
		<Synergy>	ISD BC
		<ABB>	SD/S 2.16.1
		<Lutron>	Nova T: NTFTV Diva - DVTV-xx, NFTV GRAFIK Eye: GRX-TV1 w GRX3503 Energy Savr Node: QSN-4T16-S TVM2 Module
		<Crestron>	GLX-DIMFLV8, GLXP-DIMFLV8, GLPAC-DIMFLV4-*, GLPAC-DIMFLV8-*, GLPP-DIMFLVEX-PM, GLPP-1DIMFLV2EX-PM, GLPP-1DIMFLV3EX-PM, DIN-A08, DIN-4DIMFLV4, CLS-EXP-DIMFLV, CLCI-1DIMFLV2EX
ED560	eldoLED DUALdrive	<Lunatone>	SS-LUNAT PS2 30mA SS-LUNAT Touch or BT SS-LUNAT Comm
LDE1	Lutron Hi-lume 1% EcoSystem	<Lutron>	PowPak Dimming Modules: RMJ-ECO32-DV-B, FCJ/FCJS-ECO ^{1,2} EnergI Savr Node (120V only): QSN-1ECO-S, QSN-2ECO-S GRAFIK Eye QS/Homeworks QS control unit (120V only): QSGRJ-_E(wireless) QSGR-_E Quantum Hub (120V only): QP2-_2C/4C/6C/8C Homeworks QS/myRoom Plus power module (120V only): LQSE-2ECO-D
PHSR ³	Philips Xitanium Sensor-Ready	<Ilumra>	<u>Single Rocker Self-Powered Light Switch (on/off, dim-up/down)</u> Ilumra# ZBT-S1AWH Digi-Key# 1082-1033-ND <u>Dual Rocker Self-Powered Light Switch (on/off, dim-up/down, scene1,2)</u> Ilumra# ZBT-S2AWH Digi-Key# 1082-1034-ND
TDM	KEYSTONE	<Lutron>	Diva DV-600P, SkyLark S-600P, Ariadni AY-600P, Ariadni TG-603P, Maestro MA-600 (Digital), Diva CFL/LED DVCL-153P, Satin Colors DVSC-600P-SW
		<Leviton>	6641, IlumaTech IPI06-1LX, ToggleTouch TGI06-1LW (Digital)
ELV	KEYSTONE	<Lutron>	MAELV-600BL (Digital), DVELV-300P, SkyLark SELV-300P
DTO	Philips Xitanium Gen.2 Philips Xitanium Sensor-Ready	<Lutron>	Nova T: #NTSTV-DV http://www.lutron.com/TechnicalDocumentLibrary/NovaTB.pdf See page13.
LTEA2W	Lutron Hi-lume 2-wire (120V forward voltage only)	<Lutron>	Visit http://www.lutron.com/TechnicalDocumentLibrary/369543_ENG.pdf for a list of compatible dimmer switches.

NOTES:

- All devices connected to one FCJ/FCJS-ECO will be controlled together. Devices will dim to the same level as the result of a control command. For more detail on adjusting low-end light level refer to Application Note#556 at www.lutron.com.
- For the Line/Hot (L/H) terminal on the driver, it is preferred not to use the switched hot (red) wire from the control but rather the hot wire directly from the power source.
- Recommended for EasySense System.

ARCHITECTURAL LINEAR

CUBE 2 LIT CONNECTOR PATTERNS

The lit connector system allows continuous illumination all the way through the corner section.

Instruction:

- Please provide sketches illustrating corner types, overall dimensions including corner dimensions, and locations required.
- HC90, TC, and XC connectors are 90 degree corners (overall, outside dimension).

