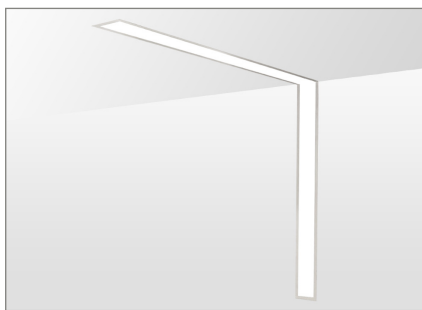


# CUBE2-CW90

Project Name:	
Type:	



### APPLICATION

The unique CUBE2-CW90 series offer versatile installation from wall to ceiling or ceiling to wall. This seamless 90° luminaire creates endless transverse runs and provides flexibility in uniting a space with lines of light. CUBE2-CW90 is well designed for commercial hallway, building lobby, educational environments, office, retail, or anywhere to add visual appeal along the ceiling to wall line.

### MOUNTING:

- Compatible only with drywall.

### LED:

- High quality array LEDs.
- LM80
- Color Temperature: 2700/3000/3500/4000/5000 (K).
- Color Rendering Index: >80 (optional >90).
- Nominal Lamp Life: 100,000 hours.
- Reported L70 hours: +60,000 (55°C).

### ELECTRICAL:

- High power factor electronic driver, operate from a 120 ~ 277 Vac input range, 50 / 60 Hz.
- Features included over voltage protection, surge, short circuit protection and over load protection.
- Power Factor: typical > 0.95, THD <20, meets Class1 or Class 2 circuit.
- 0-10V dimmable driver as standard.
- 0-10VDC dimming 1%~100%.
- Operating temperature: -4°F (-20°C) ~ 122°F (50°C).

### FINISH:

- Standard powder-coat textured white painted finish on exposed trim, consult factory for custom colors.
- Comes with snap-in acrylic lens as standard.

### LISTING:

- UL / CUL listed.
- Listed to UL 1598 and UL 8750.
- UL listed for dry & damp location.
- CEC Compliant EM (please contact for more information)
- Assembled in USA (optional).
- BAA compliant (optional).
- Trade Agreements Act compliant (optional).
- 5 years limited warranty.
- 7 or 10 years limited warranty. (optional) <sup>9</sup>
- Bluetooth Mesh System available, please contact factory for more information.

- <ELCU-200>
- Guarantees emergency lighting remains ON or is turned on when power to the control device is lost.
- Interfaces with fire alarm panel or security system.
- "Watchdog" feature allows emergency loads to be controlled in tandem with normal power loads.
- UL listed for use in emergency circuits.

### CONFIGURATIONS

Series	Size	Model #	AC Input	Fixture Lumen Output (4000K)		Lumen Efficiency (4000K)
CUBE2	2'	18L	9.9W	1280.46 lm (100% Down)	1280.46 lm	129.34 lm/W
		27L	14.85W	1641.66 lm (100% Down)	1641.66 lm	110.55 lm/W
		36L	19.8W	2122.36 lm (100% Down)	2122.36 lm	107.19 lm/W
		48L	24.9W	2651.85 lm (100% Down)	2651.85 lm	106.5 lm/W
		54L	29.7W	3146.41 lm (100% Down)	3146.41 lm	105.94 lm/W
	3'	18L	14.85W	1921.29 lm (100% Down)	1921.29 lm	129.38 lm/W
		27L	22.27W	2461.50 lm (100% Down)	2461.50 lm	110.53 lm/W
		36L	29.7W	3182.95 lm (100% Down)	3182.95 lm	107.17 lm/W
		48L	37.35W	3977.77 lm (100% Down)	3977.77 lm	106.5 lm/W
		54L	44.55W	4720.51 lm (100% Down)	4720.51 lm	105.96 lm/W
	4'	18L	19.8W	2562.12 lm (100% Down)	2562.12 lm	129.40 lm/W
		27L	29.7W	3283.33 lm (100% Down)	3283.33 lm	110.55 lm/W
		36L	39.6W	4244.72 lm (100% Down)	4244.72 lm	107.19 lm/W
		48L	49.8W	5303.70 lm (100% Down)	5303.70 lm	106.5 lm/W
		54L	59.4W	6294.02 lm (100% Down)	6294.02 lm	105.96 lm/W
	6'	18L	29.7W	3842.58 lm (100% Down)	3842.58 lm	129.38 lm/W
		27L	44.55W	4925 lm (100% Down)	4925 lm	110.55 lm/W
		36L	59.4W	6367.08 lm (100% Down)	6367.08 lm	107.19 lm/W
		48L	74.7W	7955.55 lm (100% Down)	7955.55 lm	106.5 lm/W
		54L	89.1W	9400.14 lm (100% Down)	9400.14 lm	105.95 lm/W
	8'	18L	39.6W	5124.24 lm (100% Down)	5124.24 lm	129.40 lm/W
		27L	59.4W	6566.67 lm (100% Down)	6566.67 lm	110.55 lm/W
		36L	79.2W	8489.45 lm (100% Down)	8489.45 lm	107.19 lm/W
		48L	99.6W	10607.40 lm (100% Down)	10607.40 lm	106.5 lm/W
54L		118.8W	12588.05 lm (100% Down)	12588.05 lm	105.96 lm/W	

### OUTPUT CURRENT

		Bi-Level		Tri-Level (Default)	
SW1	SW2	Config Range	Default	Config Range	Default
Close	Open	10% - 70%	40%	10% - 70%	30%
Open	Close	10% - 70%	40%	10% - 70%	70%
Close	Close	100%	100%	100%	100%
Open	Open	0%	0%	0%	0%

### WEIGHT

Item	lbs	kg
CUBE 2 2FT DRYWALL	8.14	3.69
CUBE 2 3FT DRYWALL	11.00	4.99
CUBE 2 4FT DRYWALL	12.89	5.85
CUBE 2 8FT DRYWALL	25.45	11.55

## ORDERING INFORMATION

EXAMPLE: CUBE2-10C7W-C4/4/2W3/4-D27L-40K-FT-UNV-STB

MODEL	ROW	SECTION	LED Downlight (per/4ft section)	COLOR TEMP.
CUBE2	x'C x'W  *Specify nominal overall row length in 1' increments for continuous runs * 2' minimum for individual	C_/_/_... W_/_/_...  *Ceiling from horizontal left -> right, wall from vertical top -> bottom  *Specify each run in 2/3/4/6/8' run, otherwise factory will decide	<b>D18L</b> 18W LED <b>D27L</b> 27W LED <b>D36L</b> 36W LED <b>D54L</b> 54W LED	<b>-27K</b> 2700K <b>-30K</b> 3000K <b>-35K</b> 3500K <b>-40K</b> 4000K <b>-50K</b> 5000K


\* Number of circuit(s) should be determined by the customer prior to ordering the continuous run considering the AC input voltage and total run wattage.

\* Maximum wattage per 4ft section  
\* Contact factory for custom wattage or lumen requirement.

CRI	MOUNTING	VOLTAGE	EM SECTION 1	HOUSING BRACKET	FINISH				
(Blank) C9	80+ CRI 90+ CRI 5  FT SF	Standard 1/2" Flange 11 Spackle Flange (Trimeless) 11	UNV 120 277 347	120-277V 120V 277V 347V 12	(Blank) 1SE 2SE xSE	None EM 1 Section 2 Section x Section	STB Slip Through Bracket 10	(Blank) *BK *SV **CC *CSS *AMB	Matte White RAL #9003 (Std.) Black RAL #9011 Silver (RAL #9022) Custom Color 8 Custom Canopy Color (White is Std.) Anti-Microbial Coating (Matte Skye White)

\* Non-standard finish with extra charge.  
\*\* CC: additional charge & set up fee. Provide RAL# code.

LED DRIVER	
(Blank) ES566 SD40 SDXX PHSR PHDL ED560 TDM TD30/70 TDXX/YY	0-10V dim to 1% (Std.) (dim both uplight and downlight simultaneously) eldoLED SOLOdrive Natural Dimming to dark, 0-10V, 100% ~ 0.1% dim 40% / 100% Bi-Level Step dim XX% / 100% Bi-Level Step dim (Specify XX : 10% ~ 70%) Philips Xitanium Sensor-Ready, Dali 5%-100% dim. Philips Xitanium DALI driver, Dim to 5% eldoLED LightShape DALI dim to dark, 0.1% ~ 100% Triac Dim. (120V only) 30% / 70% / 100% Tri-Level Step dim XX% / YY% / 100% Tri-Level Step dim (Specify XX, YY : 10% ~ 70%)
LDE1 ELV TRIOT  DTC DMX DLM LTEA2W  BLT	Hi-lume 1% EcoSystem LED driver with Soft-on, Fade-to-Black dimming technology, 100% ~ 1% dim ELV compatible (reverse-phase or trailing-edge) Tridonic IoT ready, 1-100% dim via Smart Module Interface (SMI), automated dimming/lighting controls via Enlighted Sensor Interface 0-10V DIM-TO-OFF DMX512 control system (Only available with RGB+W option) Wattstopper's DLM interface (Only available with RGB+W option) Hi-lume 1% 2-wire LED driver (120V forward phase only)  Bluetooth Mesh System (contact factory for more information)

OPTIONS	LIGHTING CONTROL SYSTEM
EMG8 EMG15 EMG20 EMG25 ELCU-200 GTD GTD10DIM GLR GMF ARRA BAA TAA O7W O10W AMS DPMS SO LSR-301-S LSR-301-P E1F E2F	1296 LUMEN EM Battery Backup (CEC Compliant EM) 4, 14 2430 LUMEN EM Battery Backup (CEC Compliant EM) 4, 14 3240 LUMEN EM Battery Backup (CEC Compliant EM) 4, 14 4050 LUMEN EM Battery Backup (CEC Compliant EM) 4, 14 Fail-to-on Emergency lighting, UL924 10 Bodine Generator Transfer Device Bodine Generator Transfer Device (0-10VDC Dimmer Override) Fast Blow Fuse 13 Slow Blow Fuse 13 Assembled in USA for Buy American Act BAA(Buy American Act) and BABA(Build America Buy America) compliant Trade Agreements Act compliant Optional 7 Years Limited Warranty 2 Optional 10 Years Limited Warranty 2 Bluetooth Mesh Wireless Sensor. Occupancy/Daylight/0-10V Dimming 16 Daylight Dimming Photo Sensor (0-10 VDC Control), (LSR-301-S required if FD-301 is installed) 15 (available with AMS and DPMS option) Dimming Wires connected to Sensor Only (available option on FS-205 non-Bluetooth AMS sensor only) 3 Setup Remote Control for DPMS (Required for DPMS) Occupant Remote Control for DPMS End feed on one end (Pre-drilled hole for 1/2" fitting) End feed on both ends (Pre-drilled holes for 1/2" fitting)
LUTRON VIVE	<Lutron Vive System Enabled>  Click Here!  <EasySense> EasySense Fixture-mount occupancy sensing, daylight harvesting and task tuning in one device (Must be ordered with PHSR driver) 6, 9 IR dongle v2.0 for EasySense control  <Enlighted> Enlighted IoT ready 0-10V Indoor Micro sensor with occupancy/vacancy detection, daylight harvesting, thermal sensing, task tuning, and room and zone control, Bluetooth enabled (Must be ordered with TRIOT) 7  Enlighted Room controller providing basic control functions of a standard wall switch with preset dimming capability  CASAMBI Contact factory for CASAMBI READY options

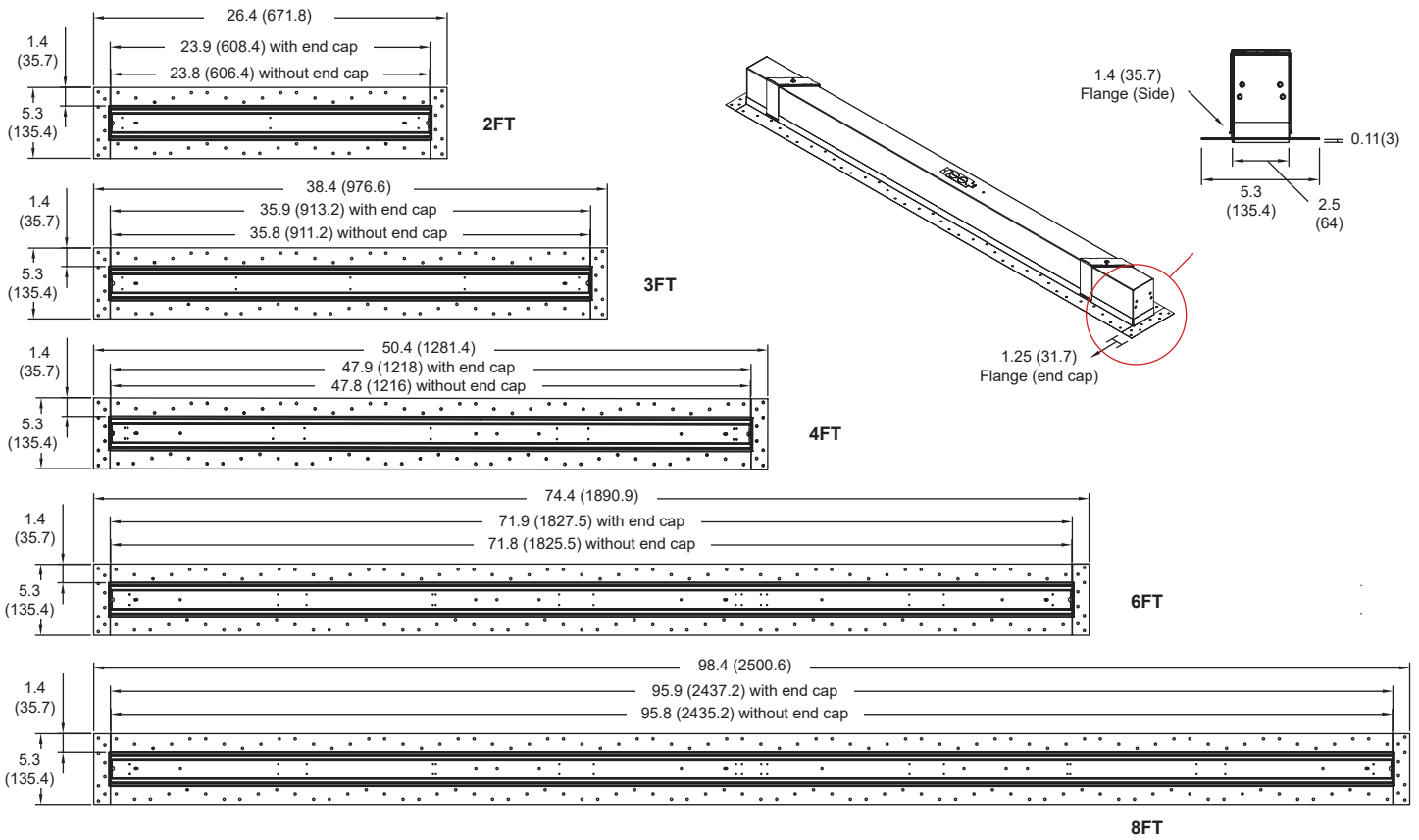
NOTES:

- EM is installed in last 4' of luminaire sections. Separate section required 2SE or specified. Must specify voltage, not available with 347V.
- This limited warranty covers electrical parts only and does not apply to labor, equipment lease, or defect from improper installation or operation.
- Dimming wires provided and connected to sensor only, not for dimmer switch. (available with AMS and DPMS option)
- Contact factory for other emergency ballast options.
- Lumen per watt is around 15% less than standard CRI (80+).
- See NFC and IR manual in the separate attachment. If your phone is not compatible, please order "RS-IR" and follow the manual.

- "RS-WS" option can be added if wish to have a wall switch, please see Enlighted Room Controller in the separate attachment.
- Refer to color charts (RAL and/or Cardinal) in the separate attachment.
- Refer to Advanced Grouping Datasheet for its default setting and compatible wireless switches.
- Standard with "FT" and "SF" mounting.
- Requires "STB" as standard.
- 347V cannot work with Emergency Battery Backup.
- Must specify voltage, not available with 347V.
- For 3ft configuration, EM can only be remote mounted. Remote box is provided by others.
- Automatic on/off is not available. For automatic on/off, additional occupancy sensor is required or a manual on/off switch can be done.
- With TDM/ELV/SDxx/TDxx: Only available with line-voltage on/off occupancy sensor.

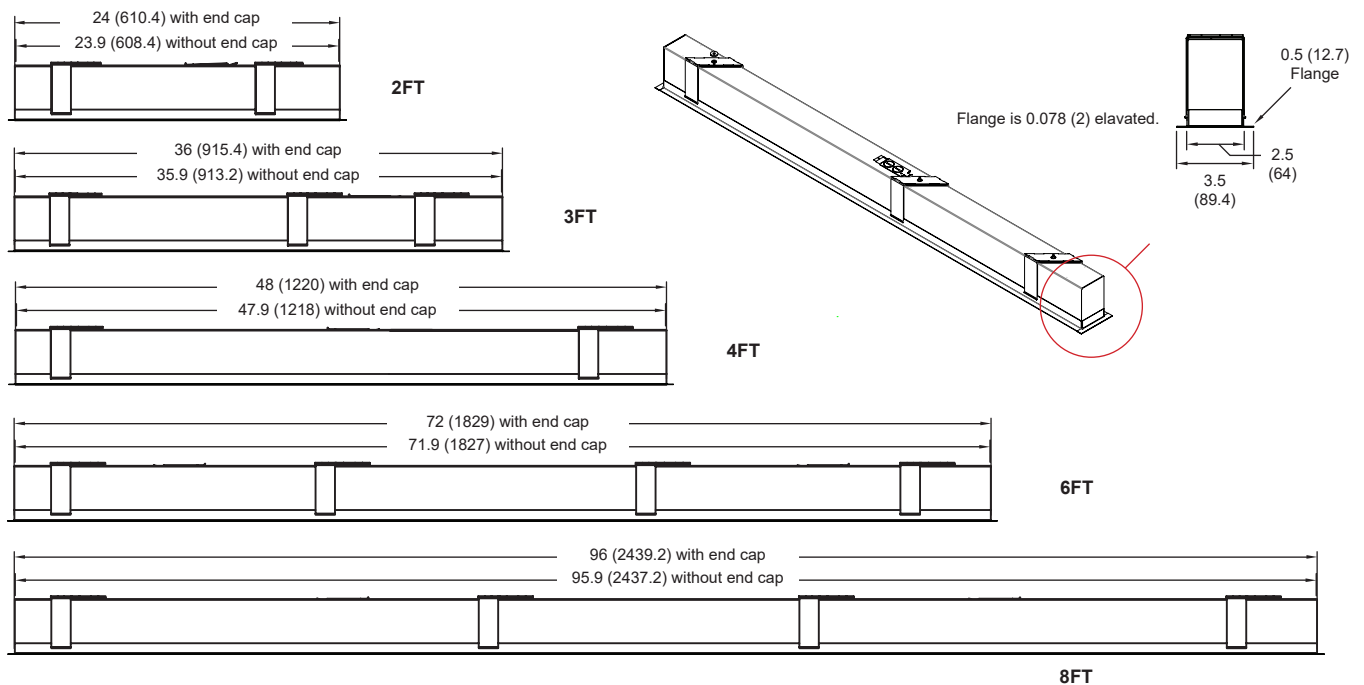
## CUBE2-SF

All dimensions are in inches (millimeters).

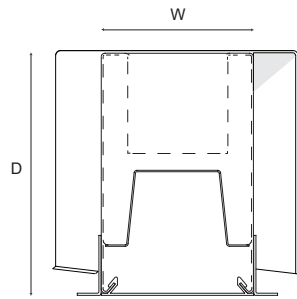


## CUBE2-FT

All dimensions are in inches (millimeters).



# CUBE2-CW90

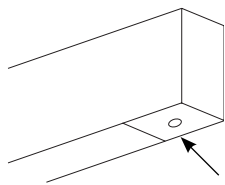


**Specifications: CUBE2**

Width: 2.5 (64)

Depth: 4 (101)

All dimensions are in inches (millimeters).



Sensor Plate



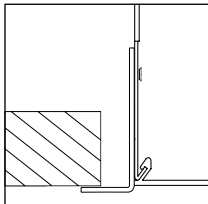
Lutron Vive Integral  
fixture control installation



EasySense  
fixture-mount installation

**- INACCESSIBLE  
CEILING MOUNTING**

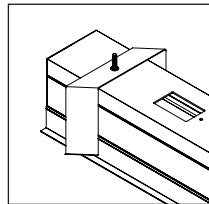
Flange Detail



Exposed Flange Detail:  
Specify FT in part #

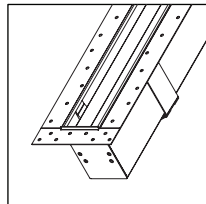
**- SPECIALTY MOUNTS**

Rotating Crossbar



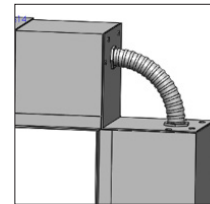
Unavailable Structure Support:  
Specify STB in part #

SF  
(Spackle Flange, Trimeless)

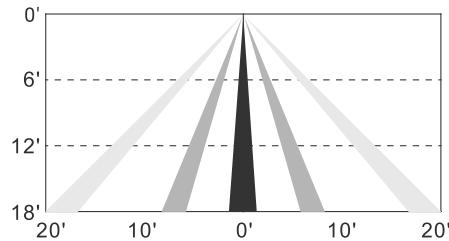


#STB in part is standard

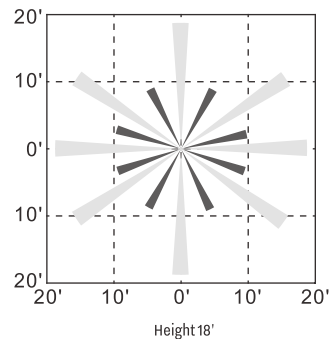
CW90



**SIDE VIEW**



**TOP VIEW**



**AMS coverage pattern**

# CUBE2-CW90

COMPATIBLE DIMMER SWITCH (TABLE 1)

Model #	Brand	Compatible Dimmer Switch	
(Blank)	-	<Leviton>	IlumaTech IP7 series
		<Lutron>	Visit <a href="http://www.lutron.com/advance">www.lutron.com/advance</a> for a list of dimmers (Mark VII) that will work with this driver.
		<Philips>	Sunrise : SR1200ZTUNV
ES566	eldoLED SOLOdrive	<Busch-Jaeger>	2112U-101
		<Jung>	240-10
		<Leviton>	IlumaTech - IP710-DLX
		<Lightoller Controls>	ZP600FAM120
		<Merten>	5729
		<Pass & Seymour>	CD4FB-W
		<Wattstopper>	DCLV1
		<Sensor Switch>	nIO EZ
		<Synergy>	ISD BC
		<ABB>	SD/S 2.16.1
		<Lutron>	Nova T: NTFTV Diva - DVTV-xx, NFTV GRAFIK Eye: GRX-TV1 w GRX3503 Energy Savr Node: QSN-4T16-S TVM2 Module
<Crestron>	GLX-DIMFLV8, GLXP-DIMFLV8, GLPAC-DIMFLV4-*, GLPAC-DIMFLV8-*, GLPP-DIMFLVEX-PM, GLPP-1DIMFLV2EX-PM, GLPP-1DIMFLV3EX-PM, DIN-A08, DIN-4DIMFLV4, CLS-EXP-DIMFLV, CLCI-1DIMFLV2EX		
ED560	eldoLED DUALdrive	<Lunatone>	SS-LUNAT PS2 30mA SS-LUNAT Touch or BT SS-LUNAT Comm
LDE1	Lutron Hi-lume 1% EcoSystem	<Lutron>	PowPak Dimming Modules: RMJ-ECO32-DV-B, FCJ/FCJS-ECO <sup>1,2</sup> EnergI Savr Node (120V only): QSN-1ECO-S, QSN-2ECO-S GRAFIK Eye QS/Homeworks QS control unit (120V only): QSGRJ-_E(wireless) QSGR-_E Quantum Hub (120V only): QP2-_2C/4C/6C/8C Homeworks QS/myRoom Plus power module (120V only): LQSE-2ECO-D
PHSR <sup>3</sup>	Philips Xitanium Sensor-Ready	<Ilumra>	<u>Single Rocker Self-Powered Light Switch (on/off, dim-up/down)</u> Ilumra# ZBT-S1AWH Digi-Key# 1082-1033-ND <u>Dual Rocker Self-Powered Light Switch (on/off, dim-up/down, scene1,2)</u> Ilumra# ZBT-S2AWH Digi-Key# 1082-1034-ND
TDM	KEYSTONE	<Lutron>	Diva DV-600P, SkyLark S-600P, Ariadni AY-600P, Ariadni TG-603P, Maestro MA-600 (Digital), Diva CFL/LED DVCL-153P, Satin Colors DVSC-600P-SW
		<Leviton>	6641, IlumaTech IPI06-1LX, ToggleTouch TGI06-1LW (Digital)
ELV	KEYSTONE	<Lutron>	MAELV-600BL (Digital), DVELV-300P, SkyLark SELV-300P
DTO	Philips Xitanium Gen.2 Philips Xitanium Sensor-Ready	<Lutron>	Nova T: #NTSTV-DV <a href="http://www.lutron.com/TechnicalDocumentLibrary/NovaTB.pdf">http://www.lutron.com/TechnicalDocumentLibrary/NovaTB.pdf</a> See page13.
LTEA2W	Lutron Hi-lume 2-wire (120V forward voltage only)	<Lutron>	Visit <a href="http://www.lutron.com/TechnicalDocumentLibrary/369543_ENG.pdf">http://www.lutron.com/TechnicalDocumentLibrary/369543_ENG.pdf</a> for a list of compatible dimmer switches.

NOTES:

- All devices connected to one FCJ/FCJS-ECO will be controlled together. Devices will dim to the same level as the result of a control command. For more detail on adjusting low-end light level refer to Application Note#556 at [www.lutron.com](http://www.lutron.com).
- For the Line/Hot (L/H) terminal on the driver, it is preferred not to use the switched hot (red) wire from the control but rather the hot wire directly from the power source.
- Recommended for EasySense System.

# ARCHITECTURAL LINEAR

## CUBE 2 LIT CONNECTOR PATTERNS

The lit connector system allows continuous illumination all the way through the corner section.

**Instruction:**

- Please provide sketches illustrating corner types, overall dimensions including corner dimensions, and locations required.
- HC90, TC, and XC connectors are 90 degree corners (overall, outside dimension).

