

CLFP

Project Name:	
Type:	



APPLICATION

The front cover plate of the luminaire can be disassembled, and the light source plate and the power supply of the luminaire can be pulled out and replaced by the handle, so as to prolong the life of the luminaire and ensure the cleanliness of the clean room. Suitable for dust-free plant, laboratory, hospital, pharmaceutical factory and etc.

FEATURES:

- Fully sealed both front and back to prevent water ingress.
- The PC Diffuser is a standard and other diffuser options are available including a choice of toughened glass for areas requiring chemical protection.
- Fully welded construction.
- Anti-bacterial coating.
- Fraunhofer IPA Certificate for clean-room compatibility in clean-rooms in ISO Cleanliness Classes 1 to 9
- LED energy saving technology.
- Without any hazardous material in fixture.
- Aluminum with white powder coated finish.
- Impact resistant frosted lens.
- Field adjustable wattage and color temperature.

ELECTRICAL:

- 0-10V dimming, down to 10%
- 120-277V, 50/60Hz
- Operating temperature: -13°F to 104°F (-25°C to 40°C)

LISTING:

- UL 1598 suitable for wet locations, type IC.
- UL 8750 LED equipment in Lighting Products.
- DLC listed. ¹
- IP65 rated.
- ROHS compliant.
- ISO 1 certified (can cover applications up to IOS 9).
- NSF rated.
- 5 years limited warranty.

LED:

- Lumen efficiency ≥ 125 lm/W
- Field adjustable color temperature: 3500/4000/5000(K)
- Beam angle: 110°
- Field adjustable wattage.
- CRI: >80
- L80≥ 50,000 hours

CONFIGURATIONS

Size	LED Watts	Lumen Output	Lumen Efficiency
1' x 4' 2' x 2'	L40	5000 lm	125 lm/W
	L30	3750 lm	
	L25	3125 lm	
2' x 4'	L50	6250 lm	110 lm/W
	L40	5000 lm	
	L30	3750 lm	
	L100	11000 lm	
	L80	8800 lm	
	L60	6600 lm	

* The lumen output is nominal.

CLFP

ORDERING INFORMATION

EXAMPLE: CLFP-22-3S-3T-UNV

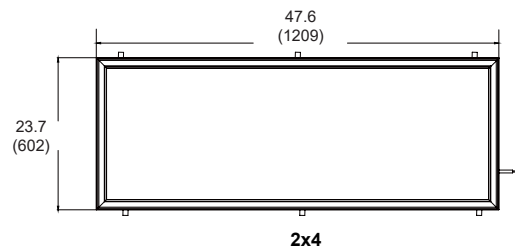
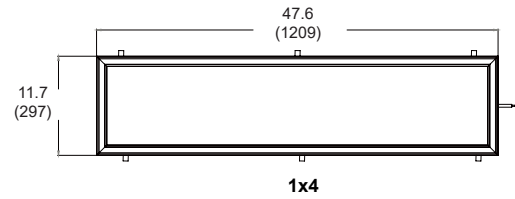
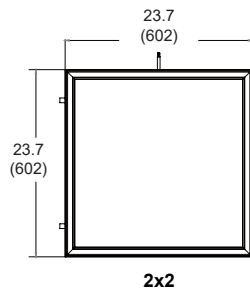
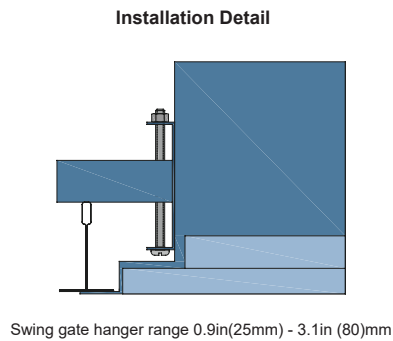
MODEL	SIZE	LED	COLOR TEMP.	MOUNTING	VOLTAGE	
CLFP	14 22	1' x 4' 2' x 2'	3S 25W /30W /40W LED	3T Selectable 35/40/50K	(Blank) Recessed T-bar and drywall ceiling	UNV 120-277V
	24	2' x 4'	3S H3S 30W /40W /50W LED 60/80/100W LED			

LED DRIVER		DIFFUSER		FRAME	
DM	0-10V 10%~100% (Std.)	(Blank) TC APC	IK03 Polycarbonate lens (Std.) IK08 Tempered glass lens IK03 Antibacterial polycarbonate lens	(Blank) CC	White Custom Color

* Available custom color (RAL)
Please provide us with the RAL number.
* Non-standard finish with extra charge.

NOTES:

- DesignLights Consortium® (DLC) qualified product. Not all versions of this product may be DLC qualified. Please check the DLC Qualified Products List at www.designlights.org/QPL to confirm which versions are qualified.



DIMENSIONS

Model	Fixture size (Inch)	Drywall cutout (Inch)
2x2FT	23.7x23.7x3.94	22.9"x22.9"
1x4FT	11.7x47.6x3.94	10.8"x46.85"
2x4FT	23.7x47.6x3.94	22.9"x46.85"

CLFP



FRONT VIEW



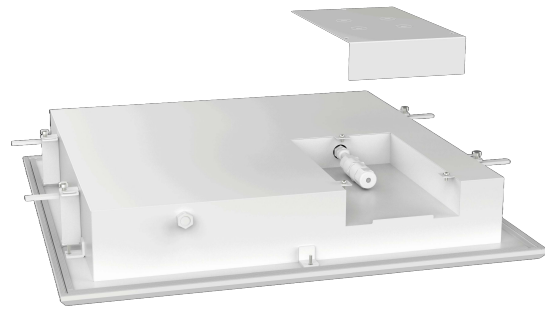
OPEN VIEW



BACK VIEW



SIDE OPEN VIEW



DRIVER BOX